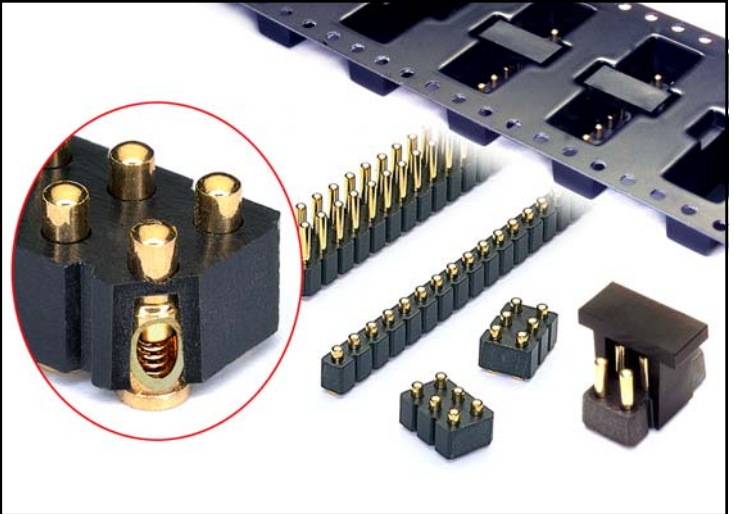
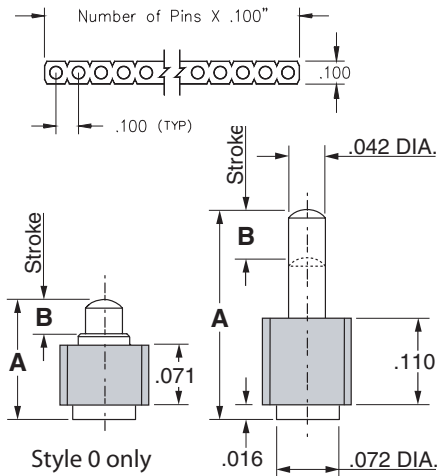


- Modular contacts for use on .100" grid, available in eight heights from .137" to .295", supplied in single and double row contact strips.
- Precision machined piston / base and gold plated components assure a 100,000 min. cycle life.
- Pistons have a long stroke relative to the low profile of the assembly.
- Low resistance, high current contacts are rated at 2 amps continuous, 3 amps peak.
- High temperature thermoplastic insulators are suitable for surface mount processes.
- A typical application would be as the base unit (battery/charger) interface for portable equipment such as mobile phones/radios, bar code readers, medical and test instruments.



**SINGLE ROW Series 811**



**Ordering Information**

**Single Row Series 811**

811-22-0XX-30-00X-101

**Specify # of contacts**

Specify contact style 0-7

01-64

**Double Row Series 813**

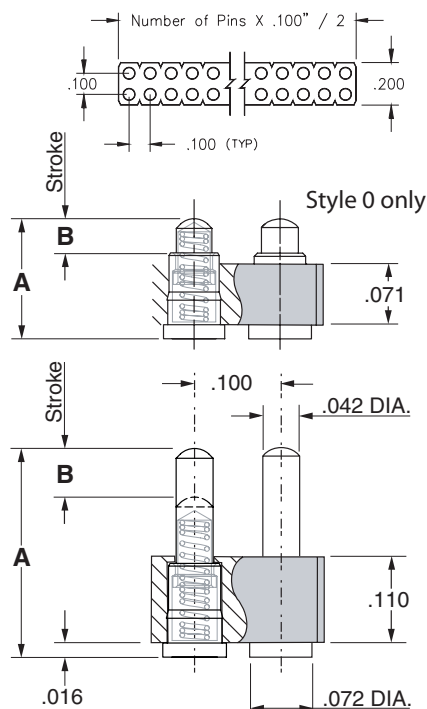
813-22-0XX-30-00X-101

**Specify # of contacts**

Specify contact style 0-7

04-72

**DOUBLE ROW Series 813**



CONTACT STYLE	INITIAL HEIGHT A	STROKE B
0	.137	.039
1	.177	.055
2	.197	.055
3	.217	.055
4	.236	.055
5	.256	.055
6	.276	.055
7	.295	.055

**Technical Specifications**

**Materials:**

Contact piston & Base: Machined copper alloy plated 20µ" gold over 100µ" nickel  
 Spring: Beryllium copper plated 10µ" gold  
 Insulator: High temp. thermoplastic rated UL94 V-0

**Mechanical:**

Spring force @ initial height (A): 25 grams  
 Spring force @ mid stroke (B/2): 60 grams  
 Spring force @ full stroke (B): 95 grams  
 Durability: 100,000 cycles min.

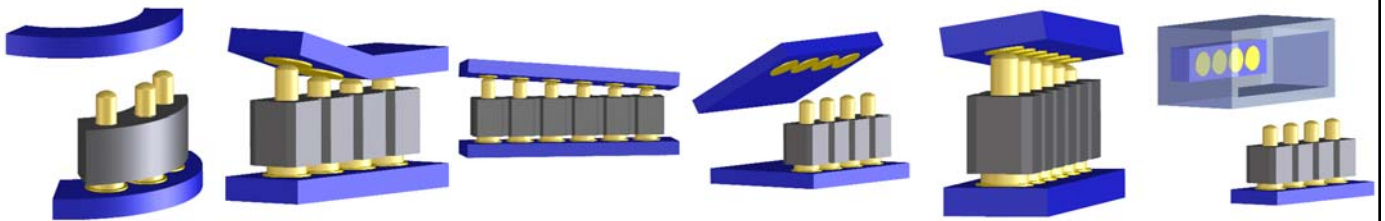
**Electrical:**

Voltage rating: 100Vrms/150Vdc  
 Current rating: 2A (continous), 3A (peak) per contact  
 Contact resistance: 20mΩ max.  
 Insulation resistance: 10,000MΩ min.  
 Dielectric strength: 700Vrms min.  
 Capacitance: 1pF max.

**Ordering Information for Series 811/813 in Carrier Tape**

Single Row Series 811	Double Row Series 813
<p>811-22-00X-30-00X-191</p>	<p>813-22-0XX-30-00X-191</p>
<p>Specify # of contacts → 2-8</p>	<p>Specify # of contacts → 04-16</p>
<p>Specify contact style 1-7</p>	<p>Specify contact style 1-7</p>
<p>400 parts per 13" reel</p>	<p>400 parts per 13" reel</p>

**The versatility of spring loaded contacts**



**Some Typical Applications**

<p><b>Cable Termination</b></p>	<p><b>Internal Battery Connection</b></p>
<p><b>Charging Base for Portable Instruments</b></p>	<p><b>PCB Connection</b></p>