



## Main

Accessory / separate part category	Mounting accessories
Accessory / separate part designation	Maintaining clamp
Sale per indivisible quantity	10

## Complementary

Accessory material	Plastic
Accessory / separate part destination	Zelio Relay RXM
Product compatibility	Socket RXZ (4 C/O) Socket RXZ (3 C/O) Socket RXZ (2 C/O)
Product weight	0.005 kg

## Contractual warranty

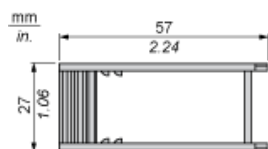
Period	18 months
--------	-----------

The information provided in this documentation contains general descriptions and/or technical characteristics of the performance of the products contained herein. This documentation is not intended as a substitute for and is not to be used for determining suitability or reliability of these products for specific user applications. It is the duty of any such user or integrator to perform the appropriate and complete risk analysis, evaluation and testing of the products with respect to the relevant specific application or use thereof. Neither Schneider Electric Industries SAS nor any of its affiliates or subsidiaries shall be responsible or liable for misuse of the information contained herein.

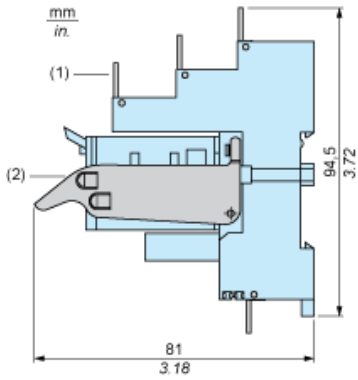
---

Dimensions

---



Mounting on All Sockets (1)



- (1) Clip-in legends for all sockets except RXZE2M114
- (2) Plastic clamp