

D-Sub Backshells

DPPK Series

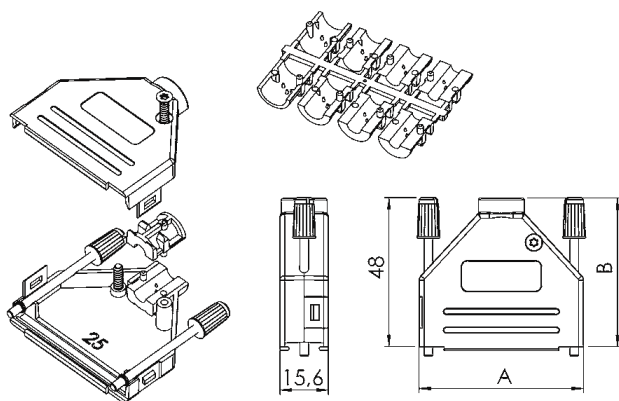


Features:

- Available in sizes 9, 15, 25 and 37
- Light weight and cost effective
- Compact and attractive design
- Re-openable
- Long jackscrews with UNC 4-40 thread as standard, M2.5, M2.6 or M3 are optional

Technical Specifications:

Material	: Polycarbonate
Temp. Range	: -55°C to +105°C
Cable Strain Relief	: Grommets 4, 5, 7 and 9mm, Polycarbonate
Cable Diameter	: 3mm to 13mm
Locking Screws	: Long jackscrews with moulded plastic knob for colour coding. UNC4-40 as standard. M2.5, M2.6 and M3 are optional
Cable Outlet	: Straight



Part Number	A	B
MC-DTPPK9	31	38.3
MC-DTPPK15	39.3	40.5
MC-DTPPK25	53	47.8
MC-DTPPK37	69.5	52.2

Dimensions : Millimetres

www.element14.com
www.farnell.com
www.newark.com



D-Sub Backshells

DPPK Series



Part Number Table

Description	Part Number
Backshell, Plastic, Vertical, Blk, 9Way	MC-DTPPK9-K
Backshell, Plastic, Vertical, Blk, 15Way	MC-DTPPK15-K
Backshell, Plastic, Vertical, Blk, 25Way	MC-DTPPK25-K
Backshell, Plastic, Vertical, Blk, 37Way	MC-DTPPK37-K

Important Notice : This data sheet and its contents (the "Information") belong to the members of the Premier Farnell group of companies (the "Group") or are licensed to it. No licence is granted for the use of it other than for information purposes in connection with the products to which it relates. No licence of any intellectual property rights is granted. The Information is subject to change without notice and replaces all data sheets previously supplied. The Information supplied is believed to be accurate but the Group assumes no responsibility for its accuracy or completeness, any error in or omission from it or for any use made of it. Users of this data sheet should check for themselves the Information and the suitability of the products for their purpose and not make any assumptions based on information included or omitted. Liability for loss or damage resulting from any reliance on the Information or use of it (including liability resulting from negligence or where the Group was aware of the possibility of such loss or damage arising) is excluded. This will not operate to limit or restrict the Group's liability for death or personal injury resulting from its negligence. Multicomp is the registered trademark of the Group. © Premier Farnell plc 2012.

www.element14.com
www.farnell.com
www.newark.com

