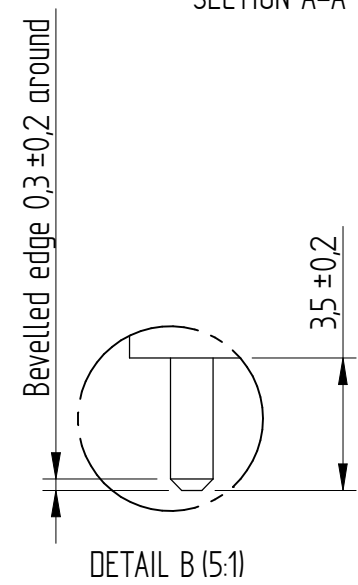
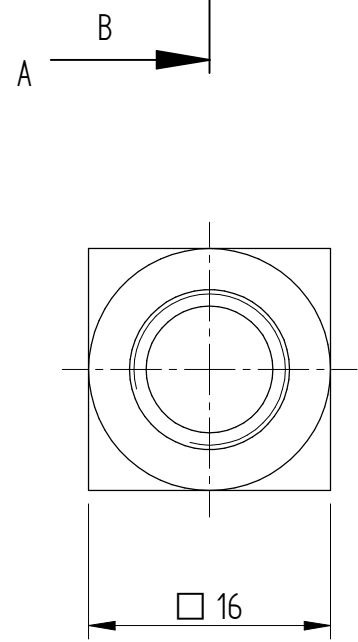
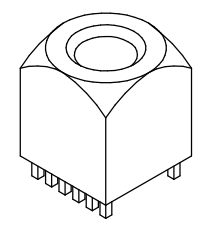


SECTION A-A



DETAIL B (5:1)



(1:1)

Surface coating 5-10µm Sn on 2-4µm Cu

(PROJECTION)		(TOLERANCES)		(SURFACE)	SCALE	2:1	TOTAL WEIGHT: 30,6 g	
		DIN ISO 2768-m			(MATERIAL)	CuZn39Pb3	WEIGHT Cu: 0,0569 g	
			DATE	NAME	(TITLE)	Bush with threaded hole M10 two Rows Pin-Plate		
			DRAWN	2009/07/14	Dino Cantara		WEIGHT Sn: 0,1166 g	
			VERIFIED	2009/07/14	Heiko Schmid			
					(DRAWING NUMBER)	7461058	Sheet 1	
							1	
ISSUE	CHANGE	DATE	NAME	CONFIDENTIAL !! ALL RIGHTS RESERVED. Passing on or duplication without prior written agreement prohibited.				

