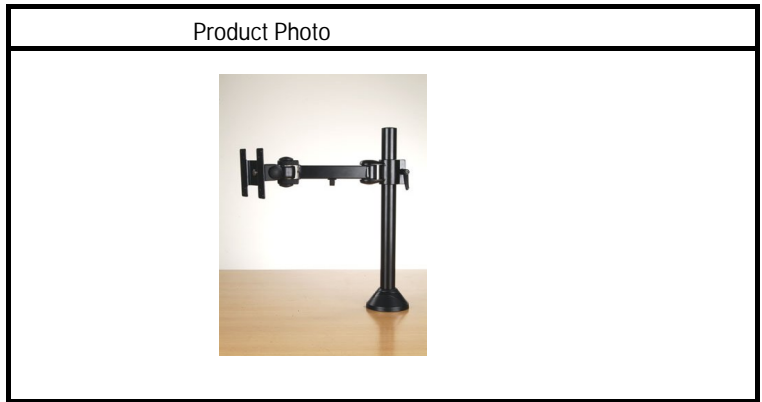


Date:	9/23/2008
-------	-----------

Model No.	191CB	
Product Name:	LCD Arm	

Weight Capacity	10kgs
Monitor Mounting Holes	VESA 75*75 and 100*100
Color available	black/silver
Application using	with grommet mounting

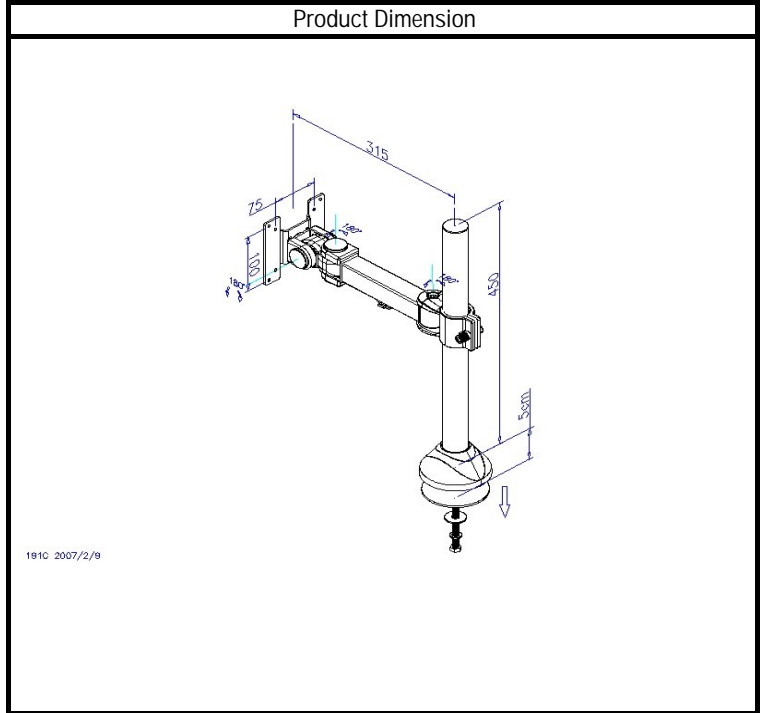


Packaging Type: (blister pack, chipboard box, cardboard box etc.)					
Unit	WHITE BOX				
Inner					
Carton	brown box				
or Pack	Packs Per	per Master	Master	Cartons Per	
1			4		

Product Description

*LCD arm design allows maximum side to side and in and out movement of your monitor.
 *Use with flat panel VESA mount monitor includes tow standard VESA mounting brackets 75*75 and 100*100mm.
 *Load capacity:10kgs.

Packaging Dimensions Metric In			
Centimeters/Cubic Meters/Kilograms			
	Height	Width	Length
Product Dimensions:			
Unit box Dimensions:	13.7	14.3	48.8
Inner Carton Dimensions:			
Master Carton Dimensions:	30.5	29.5	50.5
Master Carton Cubic Meters:	0.045		
Master Carton Weight Kgs:	12.300		



Packaging Dimensions In Inches/Cubic Feet/Pounds			
	Height	Width	Length
Product Dimensions:	0.0	0.0	0.0
Unit Box Dimensions:	5.4	5.6	19.2
Inner Carton Dimensions:	0.0	0.0	0.0
Master Carton Dimensions:	12.0	11.6	19.9
Master Carton Cubic Feet:	1.60		
Master Carton Weight lbs:	27.06		