

THIS DRAWING IS UNPUBLISHED.

RELEASED FOR PUBLICATION

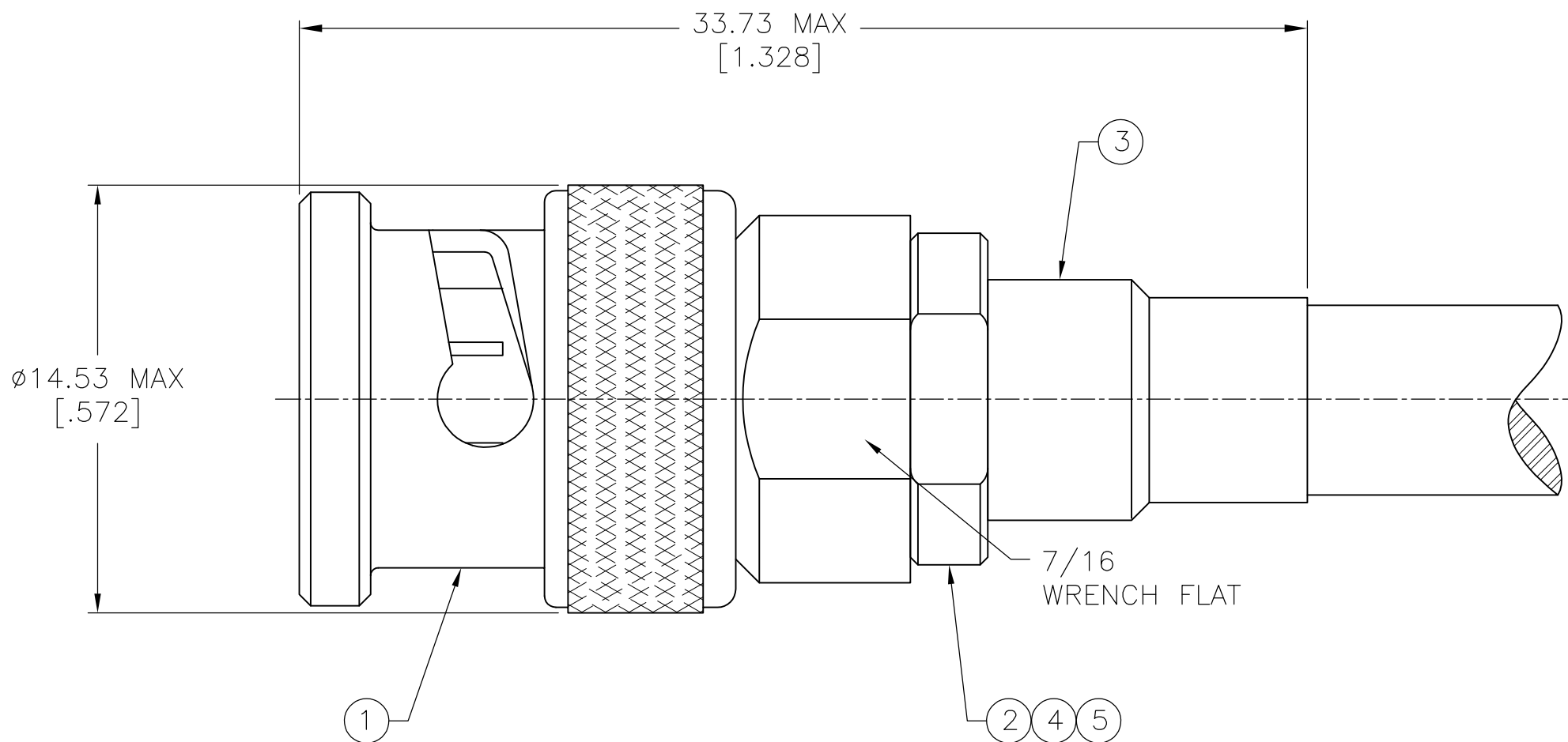
© COPYRIGHT - By -

ALL RIGHTS RESERVED.

LOC
AJ 00

REVISIONS

P	LTR	DESCRIPTION	DATE	DWN	APVD
	G3	REVISED PER ECO-11-005030	11MAR11	RK	HMR



NOTES:

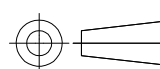
1. USE CRIMPING TOOL 69667.
2. SEE INSTRUCTION SHEET 408-2055.
3. PARTS PACKAGED SEPARATELY.
4. OBSOLETE PARTS: OBSOLETE CIS STREAMLINING PER D.RENAUD/D.SINISI

4	OBSOLETE	ROLM 49D2401 TWINAX	332214	332222-1	9-332224-0	1-332221-5	5-330949-0	332225-6
		RG 108/U & 108A/U	332214	332222-1	9-332224-0	1-332221-4	5-330949-0	332225-5
	OBSOLETE	TROMPETER TWC-124-2	332214	332222	1-332224-0	1-332221-3	2-330949-2	332225-3
		RG 108/U & 108A/U	332214	332222	1-332224-0	332221	2-330949-2	332225
		FOR USE WITH CABLE	5 SEAL QTY=1	4 DIELECTRIC QTY=1	3 FERRULE QTY=1	2 CRIMP END QTY=1	1 PLUG ASSY QTY=1	PART #

THIS DRAWING IS A CONTROLLED DOCUMENT.

DIMENSIONS:

mm



TOLERANCES UNLESS OTHERWISE SPECIFIED:

0 PLC	± -
1 PLC	± -
2 PLC	± -
3 PLC	± -
4 PLC	± -
ANGLES	± 1°
FINISH	-

MATERIAL

-

DWN G. VIERA 10JUL03

CHK J. HAVENER 10JUL03

APVD J. HAVENER 10JUL03

PRODUCT SPEC

APPLICATION SPEC

WEIGHT 0.50 OZ.

CUSTOMER DRAWING



NAME PLUG, TWIN BNC

SIZE	CAGE CODE	DRAWING NO	RESTRICTED TO
A3	00779	C-332225	-

SCALE 5:1 SHEET 1 OF 1 REV G3