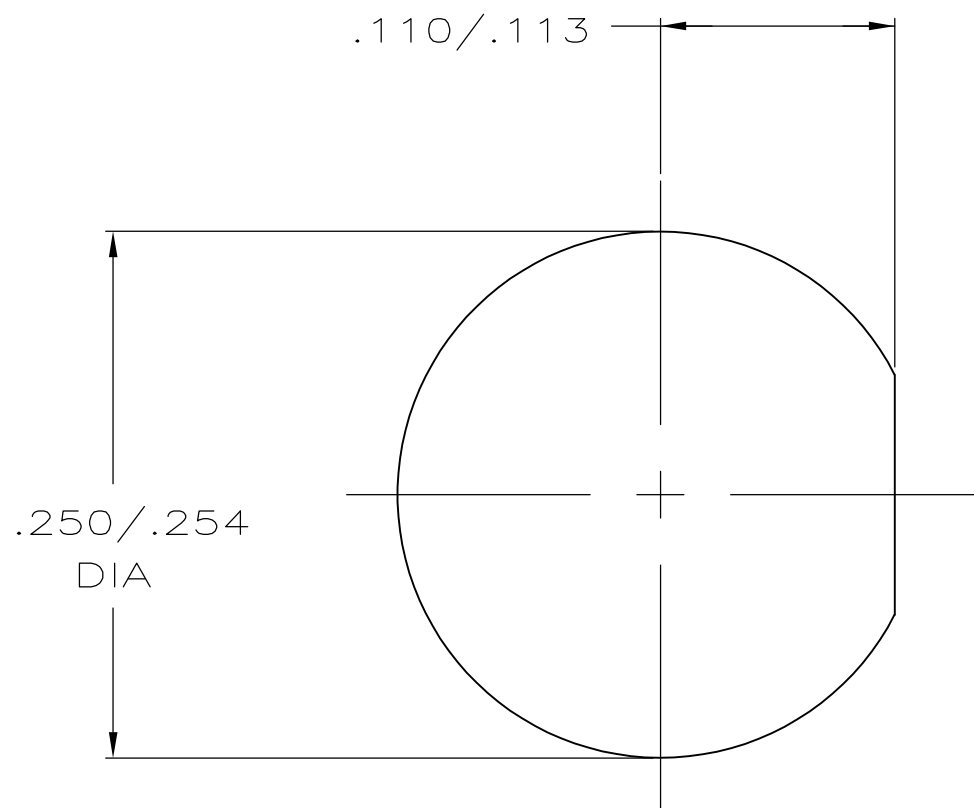
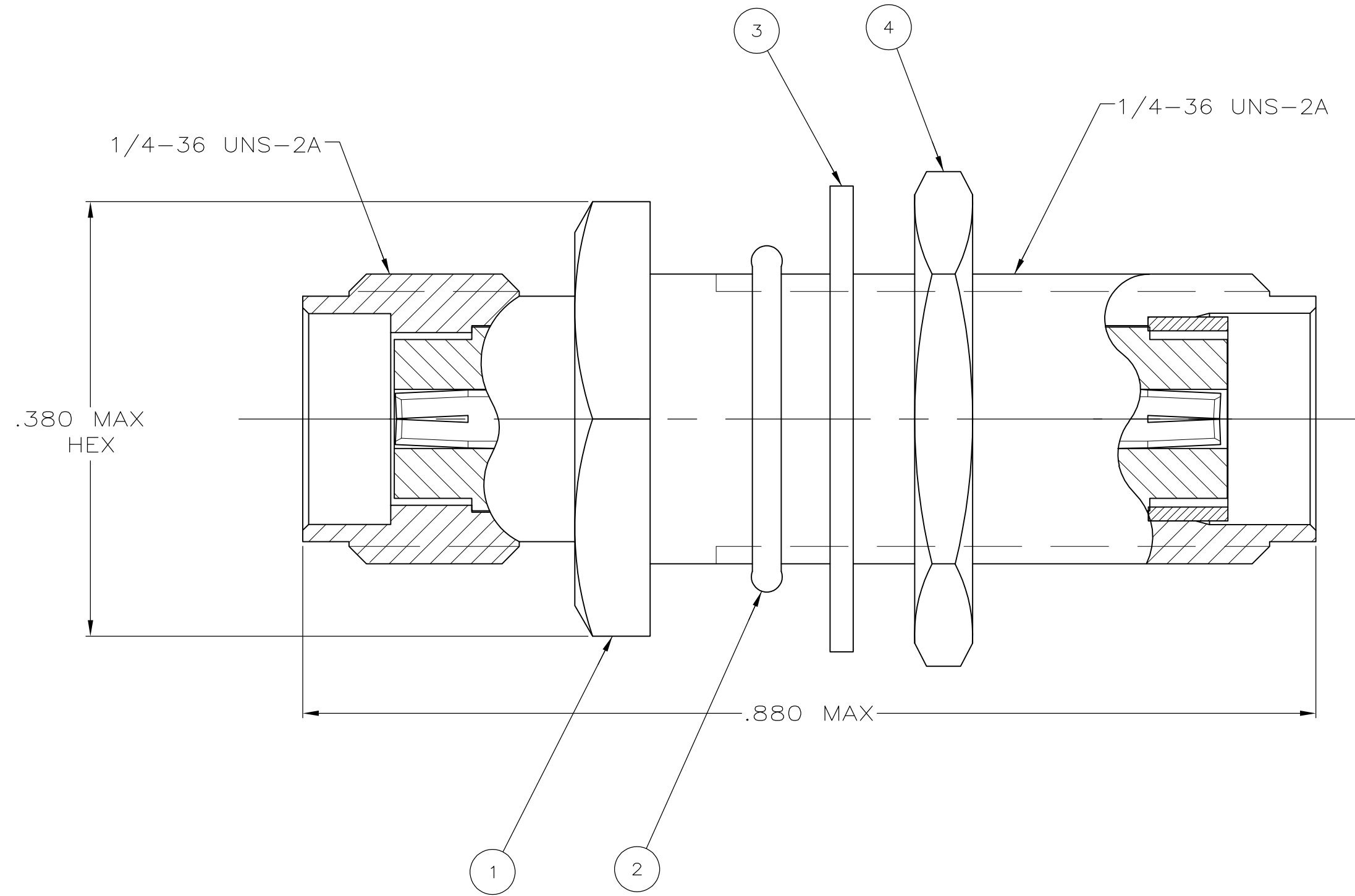


THIS DRAWING IS UNPUBLISHED. RELEASED FOR PUBLICATION
 © COPYRIGHT - By - ALL RIGHTS RESERVED.

LOC	DIST	REVISIONS			
P	LTR	DESCRIPTION	DATE	DWN	APVD
AJ	16	D1	REVISED PER ECO-11-005030	23MAR11	RK HMR



RECOMMENDED PANEL CUTOUT
 (MAXIMUM PANEL THK = .103)

2-332004-0	1-22145-3	1-22130-6	447197-1	221643-1
4 NUT, JAM QTY=1	3 WASHER, LOCK QTY=1	2 O-RING QTY=1	1 SUBASSY, SERIES SMA QTY=1	PART NUMBER

THIS DRAWING IS A CONTROLLED DOCUMENT.		DWN M.E.PASTAL 6-21-90		
DIMENSIONS: INCHES		CHK J. CABARLO 04-21-93		
TOLERANCES UNLESS OTHERWISE SPECIFIED:		APVD J. CABARLO 04-21-93	NAME ADAPTER, JACK, BULKHEAD, SERIES SMA	
0 PLC ± -	1 PLC ± -	PRODUCT SPEC	SIZE A2	CAGE CODE 00779
2 PLC ± -	3 PLC ± -	APPLICATION SPEC	DRAWING NO C=221643	RESTRICTED TO -
4 PLC ± -	ANGLES ± -	WEIGHT -	SCALE NTS	SHEET 1 of 1
MATERIAL -	FINISH -	CUSTOMER DRAWING	REV D1	