

IEC Appliance Inlet C20 with Filter, ECO design, front or rear side Mounting

Standard- or Medical-Filter



V-Lock

new

Screw-on or rivet mounting from front or rear side
Screw-On VersionScrew-on mounting from rear side, integrated
thread
Screw-On Version

Snap-in mounting from front side

C20



70° C

**Description**

- Panel Mount:
Screw-on version from front or rear side, snap-in version from front side
- 2 Functions:
Appliance Inlet Protection class I, Line filter in standard and medical version
- Quick connect terminals

Approvals

- VDE Certificate Number: 104884
- UL File Number: E72928

Characteristics

- Optimal shielding due to completely closed filter case, unpotted
Suitable for assembly in metal plated plastic housings
- Version with class X1 and X2 (standard version) capacitors
- Universal line filter for standard applications
Designed for standard and medical applications
- Suitable for use in equipment according to IEC 60950

Other versions on request

- Solder terminals
- Medical version M80
- Capacity CX 330 nF

ReferencesFits to type: [Cord Sets 15 A; 4790; 4795](#) [Cord Sets 15 A; 0104; 0104U; 1651; 1652; 1654; 4790; 4795](#)

Alternative: Standard version

Alternative: version without line filter [4793](#)**Weblinks**

[pdf-datasheet](#), [html-datasheet](#), [General Product Information](#), [Approvals](#), [CE declaration of conformity](#), [RoHS](#), [CHINA-RoHS](#), [Mating Connectors](#), [e-Shop](#), [SCHURTER-Stock-Check](#), [Distributor-Stock-Check](#), [CAD-Drawings](#), [Accessories](#), [Wire Harnessing](#), [Mounting instruction](#), [Detailed request for product](#)

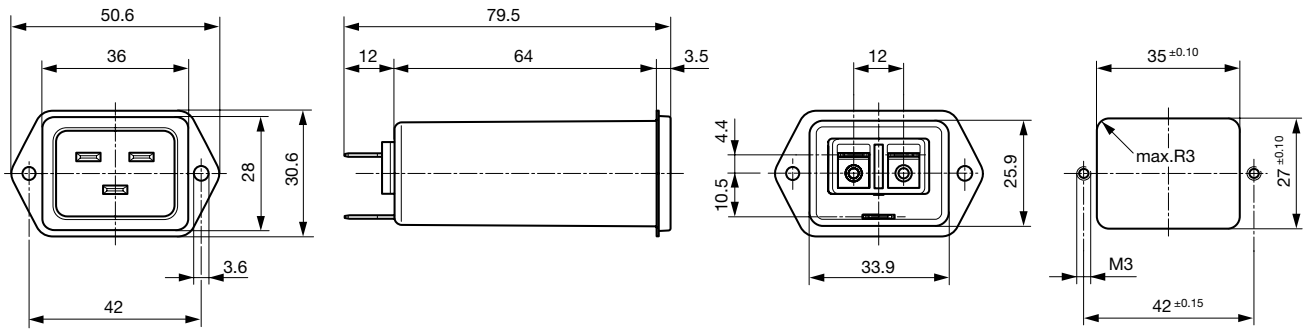
Newly available variants corresponding to V-Lock mating cordset. The connector is equipped with a notch intended for use with the latching cordset. The cord latching system prevents against accidental removal of the cordset.

Technical Data

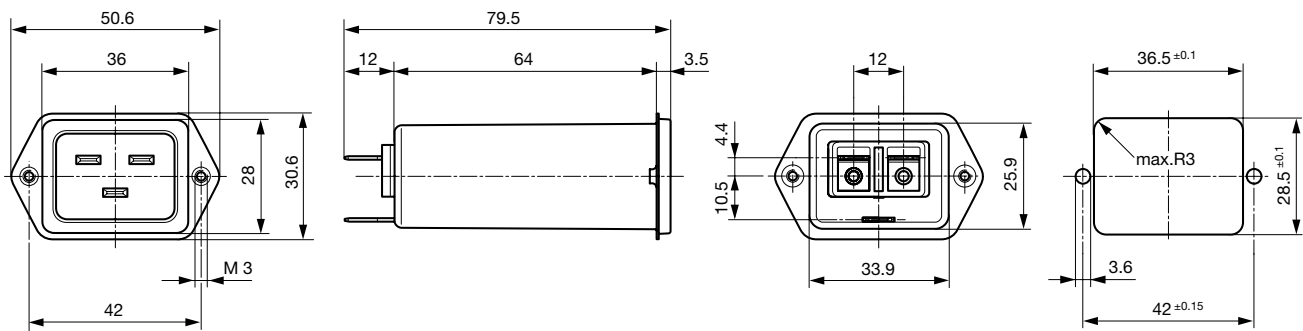
Ratings IEC	16A @ Ta 40 °C / 250VAC; 50Hz	Appliance-Inlet/-Outlet	C20 acc. to IEC 60320, UL 498, CSA C22.2 no. 42 (for cold conditions) pin-temperature 70 °C, 16A, Protection Class I
Ratings UL/CSA	20A @ Ta 40 °C / 250VAC; 60Hz	Line Filter	Standard and Medical Version, IEC 60939, IEC 60601-1, UL 1283, UL 544, EN 133 200, CSA C22.2 no. 8 Technical Details
Leakage Current	standard < 0.5mA (250 V / 60Hz) medical < 5 µA (250 V / 60 Hz)	MTBF	> 3'000'000h acc. to MIL-HB-217 F
Dielectric Strength	> 1.7 kVDC between L-N > 2.7 kVDC between L/N-PE Test voltage (2 sec)		
Impulse Withstand Voltage	> 2.5kV between L-N (CX2) > 4 kV between L-N (CX1) > 5kV between L/N-PE (Cy2) voltage (1.2/50 µs)		
Allowable Operation Temp.	-25 °C to 85 °C		
Climatic Category	25/085/21 acc. to IEC 60068-1		
Degree of Protection	from front side IP 40 acc. to IEC 60529		
Protection Class	Suitable for appliances with protection class I acc. to IEC 61140		
Terminal	Quick connect terminal 6.3 x 0.8 mm		
Panel Thickness s	Screw: max 8 mm Mounting screw torque max 0.5Nm Snap-in: 0.8mm to 3mm (all steps with one variant)		
Material: Housing	Thermoplast / steel tin-plated, black / metallic, UL 94V-0		

Dimensions

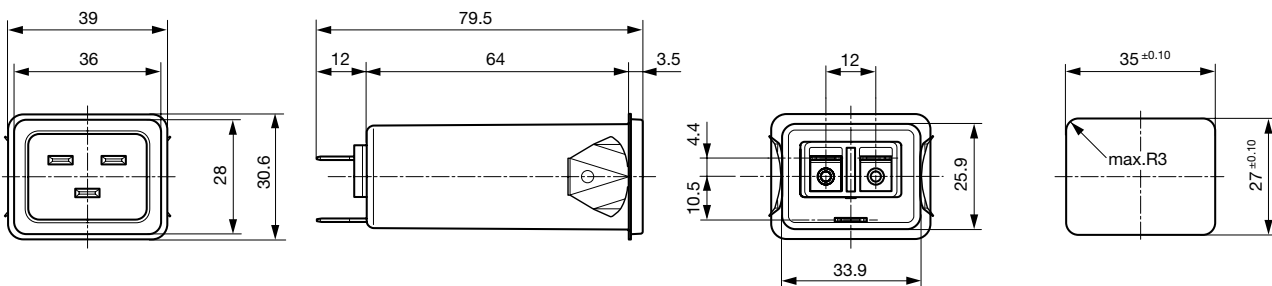
Front or rear side mounting for screws with nuts or blind rivets



Rear side mounting with pre-formed, threaded holes for M3 screws



Snap-in mounting from front side

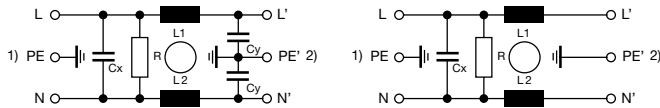


Technical Data of Filter-Components

Rated Current [A]	Filter-Type	Inductances L [mH]	Capacitance CX [nF]	Capacitance CY [nF]	R [MΩ]
16	Standard Version	2 x 0.6	100	2.2	1
20	Standard Version	2 x 0.3	100	2.2	1
16	Medical Version (M5)	2 x 0.6	100	-	1
20	Medical Version (M5)	2 x 0.3	100	-	1

Diagrams

Standard or medical version (M80) Medical version



1) Line
2) Load

1) Line
2) Load

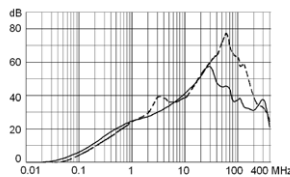
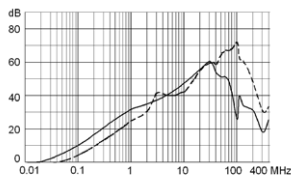
Attenuation Loss

- - - differential mode _____ common mode

Standard version

16 A

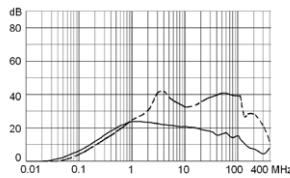
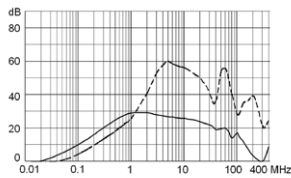
20 A



Medical version (M5)

16 A

20 A



Variants

Rated Current IEC [A]	Rated Current UL [A]	Filter-Type	Panel mounting	Mounting side	Terminal	Capacitor	Order Number
16	16	Standard Version	Screw-on/Rivet	Front-Side	Quick connect terminals 6.3 x 0.8	X2 100nF	5130.0000
16	16	Standard Version	Screw-on/Rivet	Front-Side	Quick connect terminals 6.3 x 0.8	X2 100nF	5130.0000.21
16	20	Standard Version	Screw-on/Rivet	Front-Side	Quick connect terminals 6.3 x 0.8	X2 100nF	5130.0001
16	16	Standard Version	Screw-on/Rivet	Front-Side	Quick connect terminals 6.3 x 0.8	X1 100nF	5130.0100
16	20	Standard Version	Screw-on/Rivet	Front-Side	Quick connect terminals 6.3 x 0.8	X1 100nF	5130.0101
16	16	Standard Version	Screw	Rear-Side	Quick connect terminals 6.3 x 0.8	X2 100nF	5130.1000
16	20	Standard Version	Screw	Rear-Side	Quick connect terminals 6.3 x 0.8	X2 100nF	5130.1001
16	16	Standard Version	Screw	Rear-Side	Quick connect terminals 6.3 x 0.8	X1 100nF	5130.1100
16	20	Standard Version	Screw	Rear-Side	Quick connect terminals 6.3 x 0.8	X1 100nF	5130.1101
16	16	Standard Version	Snap-in	Front-Side	Quick connect terminals 6.3 x 0.8	X2 100nF	5130.2000
16	20	Standard Version	Snap-in	Front-Side	Quick connect terminals 6.3 x 0.8	X2 100nF	5130.2001
16	16	Standard Version	Snap-in	Front-Side	Quick connect terminals 6.3 x 0.8	X1 100nF	5130.2100
16	20	Standard Version	Snap-in	Front-Side	Quick connect terminals 6.3 x 0.8	X1 100nF	5130.2101
16	16	Medical Version (M5)	Screw-on/Rivet	Front-Side	Quick connect terminals 6.3 x 0.8	X2 100nF	5130.0200
16	20	Medical Version (M5)	Screw-on/Rivet	Front-Side	Quick connect terminals 6.3 x 0.8	X2 100nF	5130.0201
16	16	Medical Version (M5)	Screw-on/Rivet	Front-Side	Quick connect terminals 6.3 x 0.8	X1 100nF	5130.0300

Rated Current IEC [A]	Rated Current UL [A]	Filter-Type	Panel mounting	Mounting side	Terminal	Capacitor	Order Number
16	16	Medical Version (M5)	Screw-on/Rivet	Front-Side	Quick connect terminals 6.3 x 0.8	X1 100nF	5130.0300.21
16	20	Medical Version (M5)	Screw-on/Rivet	Front-Side	Quick connect terminals 6.3 x 0.8	X1 100nF	5130.0301
16	16	Medical Version (M5)	Screw	Rear-Side	Quick connect terminals 6.3 x 0.8	X2 100nF	5130.1200
16	20	Medical Version (M5)	Screw	Rear-Side	Quick connect terminals 6.3 x 0.8	X2 100nF	5130.1201
16	16	Medical Version (M5)	Screw	Rear-Side	Quick connect terminals 6.3 x 0.8	X1 100nF	5130.1300
16	20	Medical Version (M5)	Screw	Rear-Side	Quick connect terminals 6.3 x 0.8	X1 100nF	5130.1301
16	20	Medical Version (M5)	Snap-in	Front-Side	Quick connect terminals	X1 100nF	5130.2301
16	16	Medical Version (M5)	Snap-in	Front-Side	Quick connect terminals 6.3 x 0.8	X2 100nF	5130.2200
16	20	Medical Version (M5)	Snap-in	Front-Side	Quick connect terminals 6.3 x 0.8	X2 100nF	5130.2201
16	16	Medical Version (M5)	Snap-in	Front-Side	Quick connect terminals 6.3 x 0.8	X1 100nF	5130.2300

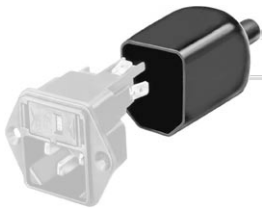
Type for screw on mounting from rear side has pre-threaded holes for M3 screws

Suffix ".21" corresponds to the version with V-Lock mating cordset. The connector is equipped with a notch intended for use with the latching cordset. The cord latching system prevents against accidental removal of the cordset.

Packaging unit 20 Pcs

Accessories

Description



Assorted Covers
Rear Cover



Wire Harness
Wire harness for SCHURTER products



Cord retaining kits
Cord retaining strain relief

Mating Inlets/Plugs

Category / Description



[Connector Overview complete](#)

IEC Connector C19, Rewireable, Angled 4790

IEC Connector C19, Rewireable, Straight 4795

[Connector further types to 5130](#)



[Power Supply or Interconnection Cord Overview complete](#)

[Diverse Power Supply and Interconnection Cords 16 A](#)

[Cord Sets 15 A](#)

[Power Supply or Interconnection Cord further types to 5130](#)

Mating Outlets/Connectors

[Connector Overview complete](#)



[IEC Connector C19, Rewireable, Straight](#)

[0104](#)

[IEC Connector C19, Rewireable, Straight](#)

[0104U](#)

[IEC Connector C19, Rewireable, Angled](#)

[1651](#)

[IEC Connector C19, Rewireable, Straight](#)

[1652](#)

[IEC Connector C19, Rewireable, Angled](#)

[4790](#)

[Connector further types to 5130](#)

[...](#)



[Power Cord Overview complete](#)

[Power Cord with IEC Connector C19, Straight](#)

[1654](#)

[Power Cord further types to 5130](#)



[Power Supply or Interconnection Cord Overview complete](#)

[Diverse Power Supply and Interconnection Cords 16 A](#)

[Cord Sets 15 A](#)

[Power Supply or Interconnection Cord further types to 5130](#)