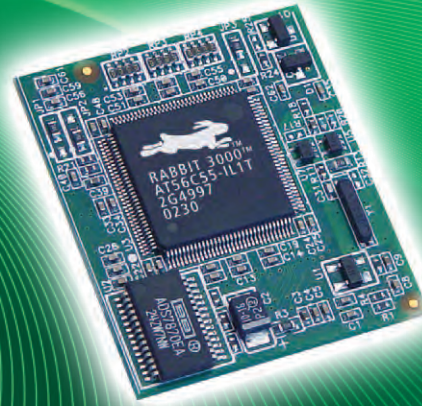


RabbitCore[®] RCM3400 Series

Microprocessor Core Module

The compact, analog-enabled RabbitCore is designed for embedded applications that require analog functionality.

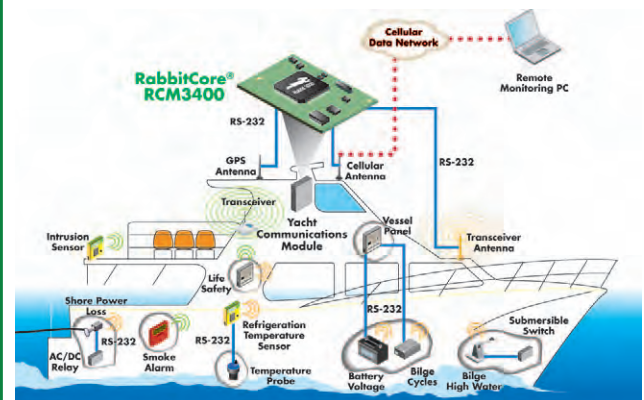


Overview

The RabbitCore RCM3400 series, featuring the Rabbit[®] 3000 microprocessor, is designed for embedded control and monitoring applications requiring analog functionality. Its small size and ease of use when paired with Dynamic C[®] allow engineers to develop a control and monitoring solution for many of today's embedded applications. The Ethernet-ready RCM3400 series comes pre-assigned with a MAC ID, along with a development board 10Base-T reference design. Built-in low EMI features, including a clock spectrum spreader, practically eliminate EMI problems, helping to pass CE and RF emissions tests.

Rabbit hardware and Dynamic C are designed in a complementary fashion for maximum performance and ease of use in embedded systems. The additional software components in Dynamic C allow you to add functionality for embedded application customization.

Application Highlight



Potential Applications: Device intelligence, embedded control, sensor reading, serial device coordinator, handheld remote devices, and GPS/AVL applications.

Features/Benefits

- Rabbit 3000 microprocessor at 30 MHz
- Up to 512K Flash/512K SRAM
- 8 channel 12-bit A/D with programmable gain
- 47 digital I/O and 5 serial ports (IrDA, HDLC, asynch, SPI)
- MAC ID installed
- Compact size simplifies integration
- Ready-made platform for fast time-to-market, up to 3 months of design integration time savings
- Low-cost embedded microprocessor module

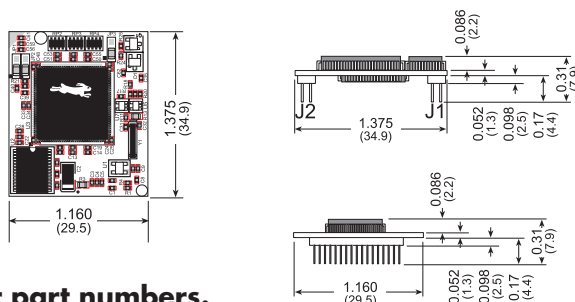


Specifications

RCM3400

RCM3410

Feature		
Microprocessor	Rabbit® 3000 at 30 MHz	
Flash Memory	512K	512K
SRAM	512K	512K
Backup Battery	Connection for user-supplied backup battery (to support RTC and SRAM)	
Analog Inputs	8 channels single-ended or 4 channels differential Programmable gain 1, 2, 4, 5, 8, 10, 16, and 20 V/V	
• A/D Converter Resolution	12 bits (11 bits single-ended)	
• A/D Conversion Time (including 120 µs raw count and Dynamic C)	180 µs	
General-Purpose I/O	47 parallel digital I/O lines: <ul style="list-style-type: none"> • 41 configurable I/O • 3 fixed inputs • 3 fixed outputs 	
Additional Inputs	Startup mode (2), reset in, CONVERT	
Additional Outputs	Status, reset out, VREF	
Auxiliary I/O Bus	Can be configured for 8 data lines and 6 address lines (shared with parallel I/O lines), plus I/O read/write	
Serial Ports	5 shared high-speed, CMOS-compatible ports: <ul style="list-style-type: none"> • All 5 configurable as asynchronous, 3 as clocked serial (SPI), and 2 as SDLC/HDLC • 1 asynchronous serial port dedicated for programming • Support for MIR/SIR IrDA transceiver 	
Serial Rate	Maximum asynchronous baud rate = CLK/8	
Slave Interface	A slave port allows the RCM3400 to be used as an intelligent peripheral device slaved to a master processor, which may either be another Rabbit 3000 or any other type of processor	
Real-Time Clock	Yes	
Timers	Ten 8-bit timers (6 cascable), one 10-bit timer with 2 match registers	
Watchdog/Supervisor	Yes	
Pulse-Width Modulators	10-bit free-running counter and four pulse-width registers	
Input Capture	2-channel input capture can be used to time input signals from various port pins	
Quadrature Decoder	2-channel quadrature decoder accepts inputs from external incremental encoder modules	
Power	3.0–3.45VDC @ 29.4 MHz, 2.8–3.45VDC @ 14.7 MHz 97 mA @ 3.3V, 29.4 MHz; 57 mA @ 3.0V, 14.7 MHz	
Operating Temperature	-40° C to +85° C	
Humidity	5% to 95%, non-condensing	
Connectors	Two 2 × 17, 1.27 mm pitch	
Board Size	1.160" × 1.375" × 0.31" (29.5 mm × 34.9 mm × 7.9 mm)	
Pricing		
Price and Part Number	\$69; 20-101-0561	\$59; 20-101-0562
Development Kit and Part Number	\$399; 101-0587	None



Visit www.digiembedded.com for part numbers.

DIGI SERVICE AND SUPPORT - You can purchase with confidence knowing that Digi is here to support you with expert technical support and a strong one-year warranty. www.digi.com/support

Digi International
877-912-3444
952-912-3444
info@digi.com

Digi International France
+33-1-55-61-98-98
www.digi.fr

Digi International KK
+81-3-5428-0261
www.digi-intl.co.jp

Digi International (HK) Limited
+852-2833-1008
www.digi.cn

BUY ONLINE • www.digiembedded.com



91001604
82/411

© 2005-2011 Digi International Inc. All rights reserved. Digi, Digi International, the Digi logo, the Making Wireless M2M Easy logo, Rabbit, RabbitCore and Dynamic C are trademarks or registered trademarks of Digi International Inc. in the United States and other countries worldwide. All other trademarks are the property of their respective owners. All information provided is subject to change without notice.

