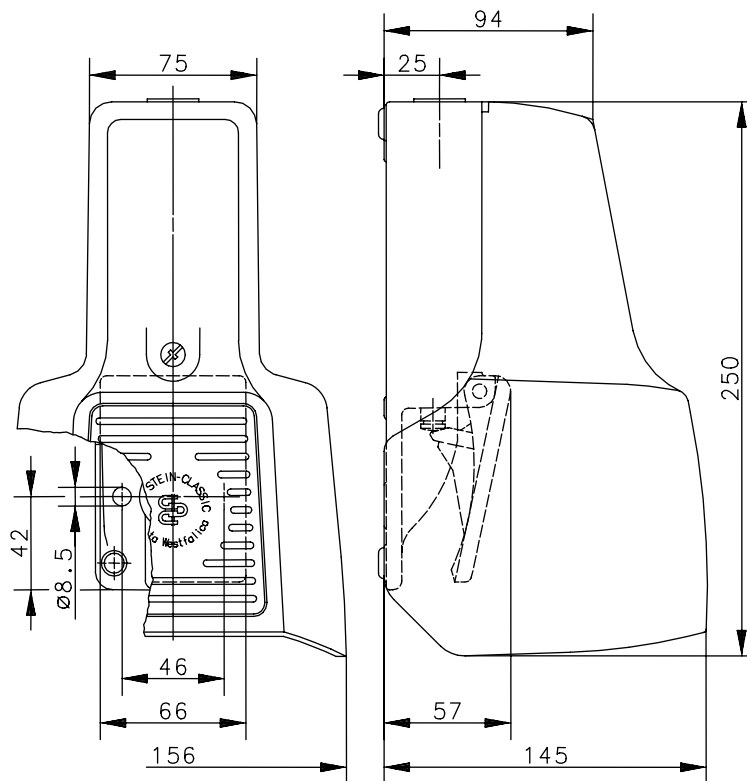


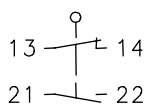
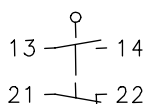
Series F1 UN

Description **F1-SU1Y-UN**

Article number **6161800247**



Switching symbols



„On“ position

„Off“ position

Electrical data

Rated insulation voltage	U_i	400 V AC
Conventional thermal current	I_{the}	10 A
Rated operational voltage	U_e	240 V
Utilization category		AC-15, U_e/I_e 240 V/3 A
Short-circuit protective device		Fuse 2 A gL / gG
Protection class		I

This document will not become the contractual basis; the details included herein do not constitute any descriptions of expected conditions, so that warranties/claims for defects on account of possible variations of the actual qualities from the qualities described herein are explicitly excluded. All rights reserved. Specifications subject to change without notice!

Date of issue: 28.04.2009 / Page 1 of 2
Document: 6161800247_en/ Status: 2 / 2114-09

Technical Data

Foot-switch

Mechanical data

Enclosure	AL, die-cast
Protective guard (Accident protection cover UN)	AL, die-cast
Actuator	Foot lever (PA)
Ambient air temperature	-30 °C/+80 °C
Contact type	1 N.C, 1 N.O (Zb)
Shifting force	approx. 10N
Mechanical life	10x10 ⁶ operating cycles
Switching frequency	max. 50/min
Assembly	2 x M8
Connection	screw terminals (M3,5)
Number of connections	4 (see switching symbols)
Protection ground	2 x M4
Conductor cross-sections	Solid: 0,5 – 1,5mm ² Wire with ferrules: 0,5 – 1,5mm ²
Cable entry	1 x M20x1,5
Weight	approx. 1,5kg
Protection type	IP65 in accordance with IEC/EN 60529

Regulations

VDE 0660 T100, DIN EN 60947-1, IEC 60947-1
VDE 0660 T200, DIN EN 60947-5-1, IEC 60947-5-1
VDE 0660 T102, DIN EN 60947-4-1, IEC 60947-4-1

EU Conformity

CE

Approvals

cCSA_{US} A300, Q300 (same polarity)

Latched switching Y

After the first pedal actuation, the contact setting, is maintained after the pedal is released. Only after a subsequent actuation is the contact reset again (bistable).

Notes

The specified protection classification (IP code) applies only when the cover is closed and the appropriate cable is used, in accordance with the clamping range of the above mentioned cable gland.

Notes

The specified protection classification (IP code) applies only when the cover is closed and the appropriate cable is used, in accordance with the clamping range of the above mentioned cable gland.