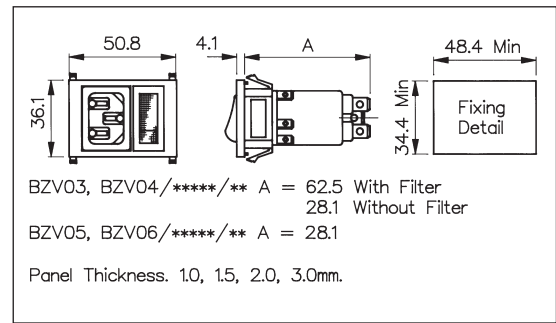


C14 and C16 IEC Inlet - Vertical

VERTICAL MODULE ARRANGEMENT



- Inlet with 2.8mm or 6.3mm tags
- Single Pole Switch or Neon Indicator Variations
- Filtered Inlet Option
- Options of I/O marked switches
- Non Fused



How to Order

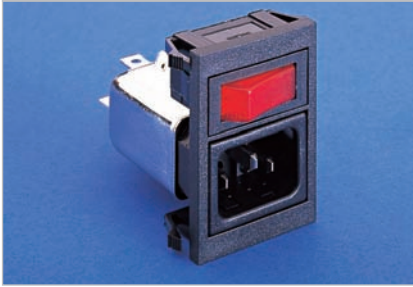
BZV xx / xxxxx / xx

Type of Inlet / Outlet	Filtered or Non Filtered Inlet	Combination of Other Components
<p>C14 Power Inlet (cold condition), 6.3 or 2.8mm tabs:</p> <p>03 = PX0575/63 04 = PX0575/28</p> <p>C16 Power Inlet (hot condition), 6.3 or 2.8mm tabs:</p> <p>05 = PX0595/63 06 = PX0595/28</p> <div style="border: 1px solid black; padding: 5px; margin-top: 10px;"> Please note type 05 and 06 are not available in filtered version </div>	<p>Z0000 = Non Filtered</p> <p>Axxxx = Standard</p> <p>Bxxxx = Medical</p> <div style="border: 1px solid black; padding: 10px; margin-top: 20px;"> For Filtered inlet use 6th to 9th characters from filter ordering code see pages 125-126. E.g. BZV03/A0120/02 </div>	<p>Single Pole Switch:</p> <p>01 = S.P. Switch</p> <p>Single Pole Neon Switch:</p> <p>02 = S.P. Red Neon Switch 08 = S.P. Green Neon Switch</p> <p>Neon Indicator:</p> <p>03 = Red Neon Indicator</p> <p>Single Pole High Inrush Switch:</p> <p>46 = S.P. High Inrush Switch</p> <p>Single Pole Switch Marked I/O:</p> <p>69 = S.P. Switch (I/O)</p> <p>Single Pole Neon Switch Marked (I/O):</p> <p>71 = S.P. Red Neon Switch (I/O) 74 = S.P. Green Neon Switch (I/O)</p> <p>Single Pole High Inrush Switch Marked (I/O):</p> <p>98 = S.P. High Inrush Switch (I/O)</p>

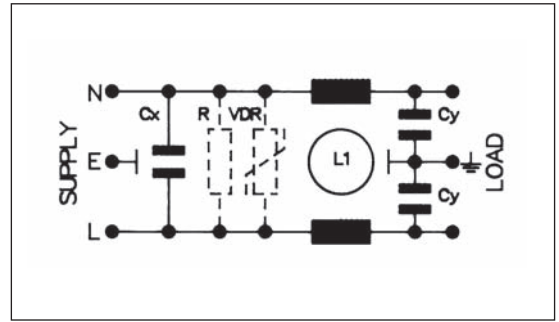
Note: For technical details of individual components please see page 106

C14 IEC Inlet - Standard Filter

EMI FILTER OPTIONS



- For Polysnap modules BZV03, BZV04, BZV09, BZV10, BZV17, BZV18, BZH09, BZH10, BZH17, BZH18, BZM27, BZM28
- PX0575 style IEC inlet
- Using PS01/A style filter
- Standard Attenuation Filter



Bxxxx/A xx x x / xx



Polysnap Part No.	Filter Type	Rating	L/C Circuit	Additional Components	Polysnap Part No.
From Polysnap Selection	A = Standard	01 = 1A 03 = 3A 06 = 6A 10 = 10A	1 = Version 1 2 = Version 2 3 = Version 3	0 = None 1 = Bleed (R) Resistor 2 = Surge (VDR) Protection 3 = "R" plus "VDR"	From Polysnap Selection

Rating	Version	L1	Cx	Cy
1 AMP	1	2 x 2.8mH	1 x 15nF	2 x 2.2nF
"	2	2 x 10mH	1 x 15nF	2 x 2.2nF
"	3	2 x 10mH	1 x 47nF	2 x 2.2nF
3 AMP	1	2 x 0.75mH	1 x 15nF	2 x 2.2nF
"	2	2 x 1.8mH	1 x 15nF	2 x 2.2nF
"	3	2 x 1.8mH	1 x 47nF	2 x 2.2nF
6 AMP	1	2 x 0.3mH	1 x 15nF	2 x 2.2nF
"	2	2 x 0.7mH	1 x 15nF	2 x 2.2nF
"	3	2 x 0.7mH	1 x 47nF	2 x 2.2nF
10 AMP	1	2 x 0.17mH	1 x 15nF	2 x 2.2nF
"	2	2 x 0.35mH	1 x 15nF	2 x 2.2nF
"	3	2 x 0.17mH	1 x 47nF	2 x 2.2nF

Part No. Example

BZV03/A0120/02 =
 BZV style Polysnap module with PX0575 IEC power inlet, filter rated at 1 amp, L/C circuit version 2 (L1 = 2 x 10mH, Cx = 1 x 15nF, Cy = 2 x 2.2nF), without bleed resistor or surge protection device fitted, 6.3mm tabs and single pole red neon switch.

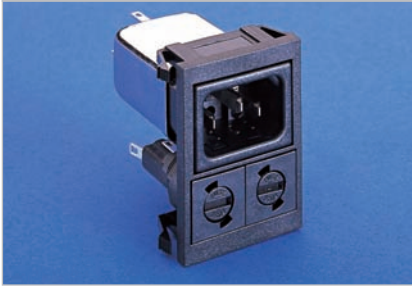
Filter Specification

Max. Working Voltage:	250V a.c. 50-400Hz
Earth Leakage Current:	<0.35mA (250V. 50Hz)
Temperature Range:	-25°C to +85°C
Max. Ambient Temp.: (@ Full Load)	40°C (derate linearly to 0A @ 85°C)
Test Voltage:	2700V d.c. 2 secs. Lines to Earth 1100V d.c. 2 secs. Live to Neutral
Approvals:	
Attenuation Curves:	See PS01/A filter, page 132

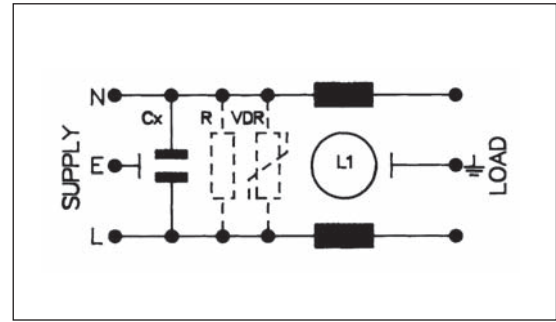
IEC CONNECTORS

C14 IEC Inlet - Medical Filter

EMI FILTER OPTIONS



- For Polysnap modules BZV03, BZV04, BZV09, BZV10, BZV17, BZV18, BZH09, BZH10, BZH17, BZH18, BZM27, BZM28
- PX0575 style IEC inlet
- Using PS01/B style filter
- Medical Filter



Bxxxx/Bxx x x / xx

Polysnap Part No.	Filter Type	Rating	L/C Circuit	Additional Components	Polysnap Part No.
From Polysnap Selection	B = Medical	01 = 1A 03 = 3A 06 = 6A 10 = 10A	1 = Version 1 2 = Version 2 3 = Version 3	0 = None 1 = Bleed (R) Resistor 2 = Surge (VDR) Protection 3 = "R" plus "VDR"	From Polysnap Selection

IEC CONNECTORS

Rating	Version	L1	Cx
1 AMP	1	2 x 2.8mH	1 x 15nF
"	2	2 x 10mH	1 x 15nF
"	3	2 x 10mH	1 x 47nF
3 AMP	1	2 x 0.75mH	1 x 15nF
"	2	2 x 1.8mH	1 x 15nF
"	3	2 x 1.8mH	1 x 47nF
6 AMP	1	2 x 0.3mH	1 x 15nF
"	2	2 x 0.7mH	1 x 15nF
"	3	2 x 0.7mH	1 x 47nF
10 AMP	1	2 x 0.17mH	1 x 15nF
"	2	2 x 0.35mH	1 x 15nF
"	3	2 x 0.17mH	1 x 47nF

Part No. Example

BZV04/B0322/04 =

BZV style Polysnap module with PX0575 IEC power inlet, filter rated at 3 amps, L/C circuit version 2 (L1 = 2 x 1.8mH, Cx = 1 x 15nF), without bleed resistor, with surge protection device fitted, 2.8mm tabs and two fuseholders.

Filter Specification

Max. Working Voltage:	250V a.c. 50-400Hz
Earth Leakage Current:	<100µA (typically 5µA, 250V. 50Hz)
Temperature Range:	-25°C to +85°C
Max. Ambient Temp.: (@ Full Load)	40°C (derate linearly to 0A @ 85°C)
Test Voltage:	2700V d.c. 2 secs. Lines to Earth 1100V d.c. 2 secs. Live to Neutral
Approvals:	
Attenuation Curves:	See PS01/B filter, page 134