

**ebm-papst St. Georgen GmbH & Co. KG**

Hermann-Papst-Straße 1

D-78112 St. Georgen

Phone +49 7724 81-0

Fax +49 7724 81-1309

info2@de.ebmpapst.com

www.ebmpapst.com

Nominal data

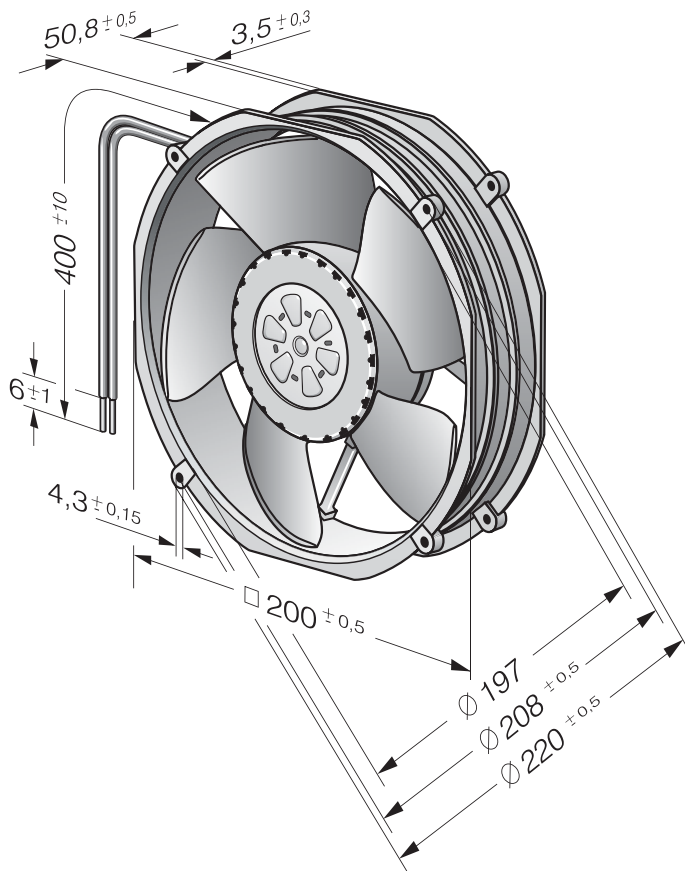
Type	2218 F/2TDH4P	
Nominal voltage	VDC	48
Nominal voltage range	VDC	36 .. 72
Speed	min ⁻¹	6500
Power input	W	103
Min. ambient temperature	°C	-20
Max. ambient temperature	°C	65
Air flow	m ³ /h	1220
Sound power level	B	8.2
Sound pressure level	dB(A)	72

ml = max. load · me = max. efficiency · rfa = running at free air · cs = customer specs · cu = customer unit
 Subject to alterations

Technical features

General description	<p>Particular design features:</p> <p>Very high-performance 200 mm fan with compact overall height. Low operating noise level at high counterpressure. Very smooth running 3-phase fan drive with high efficiency. Standard models available with tach output and PWM control input (P) or 0-10VDC / PWM control input (O).</p> <p>General features:</p> <p>Materials: Housing made of aluminium, impeller made of fibreglass-reinforced PA; housing with grounding lug for M4 x 8 screw. Electronic commutation completely integrated. Protected against reverse polarity and locking. El. connection via single strands AWG 20, UL 1007 / AWG 22, UL 1061, bared and tin-plated. Air exhaust over bars. Direction of rotation counter-clockwise seen on rotor. Mass: 1000 g.</p>
Mass	1.0 kg
Dimensions	220 x 200 x 51 mm
Lifetime L10 at 40 °C	70000 h
Lifetime L10 at maximum temperature	40000 h

Product drawing



Charts

