

255 N

# DC axial compact fan



## ebm-papst St. Georgen GmbH & Co. KG

Hermann-Papst-Straße 1

D-78112 St. Georgen

Phone +49 7724 81-0

Fax +49 7724 81-1309

info2@de.ebmpapst.com

www.ebmpapst.com

## Nominal data

Type	255 N	
Nominal voltage	VDC	5
Nominal voltage range	VDC	4.5 .. 5.5
Speed	min <sup>-1</sup>	9600
Power input	W	0.4
Min. ambient temperature	°C	-10
Max. ambient temperature	°C	70
Air flow	m <sup>3</sup> /h	3.2
Sound power level	B	<3
Sound pressure level	dB(A)	16

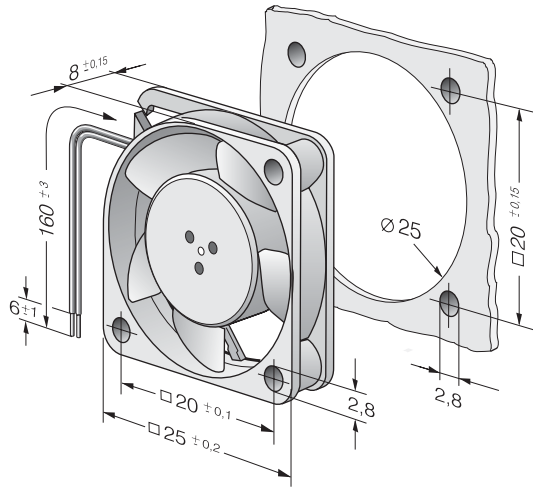
ml = max. load · me = max. efficiency · fa = running at free air · cs = customer specs · cu = customer unit  
Subject to alterations



## Technical features

<b>General description</b>	<p>Particular design features: Compact fan with low power consumption.</p> <p>General features: Material: fibreglass-reinforced plastic. Impeller PA, housing PBT. Electronic commutation completely integrated. Protected against reverse polarity and locking. Connection via single strands AWG 28, TR 64, bared and tin-plated. Air exhaust over bars. Direction of rotation counter-clockwise seen on rotor. Masse: 5 g.</p>
<b>Mass</b>	0.005 kg
<b>Dimensions</b>	25 x 25 x 8 mm
<b>Material of impeller</b>	Fiberglass-reinforced PA plastic
<b>Housing material</b>	Fiberglass-reinforced PBT plastic
<b>Direction of air flow</b>	Air exhaust over bars
<b>Direction of rotation</b>	Left, looking at rotor
<b>Bearing</b>	Sintec sleeve bearing system
<b>Lifetime L10 at 20 °C</b>	40000 h
<b>Lifetime L10 at 60 °C</b>	12000 h
<b>Connection line</b>	Single strands AWG 28, TR 64, bared and tin-plated
<b>Motor protection</b>	Protected against reverse polarity and locking.
<b>Approval</b>	VDE, CSA, UL, CE

## Product drawing



## Charts: Air flow

