

4418 M

DC axial compact fan



ebm-papst St. Georgen GmbH & Co. KG

Hermann-Papst-Straße 1

D-78112 St. Georgen

Phone +49 7724 81-0

Fax +49 7724 81-1309

info2@de.ebmpapst.com

www.ebmpapst.com

Nominal data

Type	4418 M	
Nominal voltage	VDC	48
Nominal voltage range	VDC	36 .. 60
Speed	min ⁻¹	3300
Power input	W	4.2
Min. ambient temperature	°C	-20
Max. ambient temperature	°C	70
Air flow	m ³ /h	184
Sound power level	B	5.3
Sound pressure level	dB(A)	42

ml = max. load · me = max. efficiency · rfa = running at free air · cs = customer specs · cu = customer unit
Subject to alterations



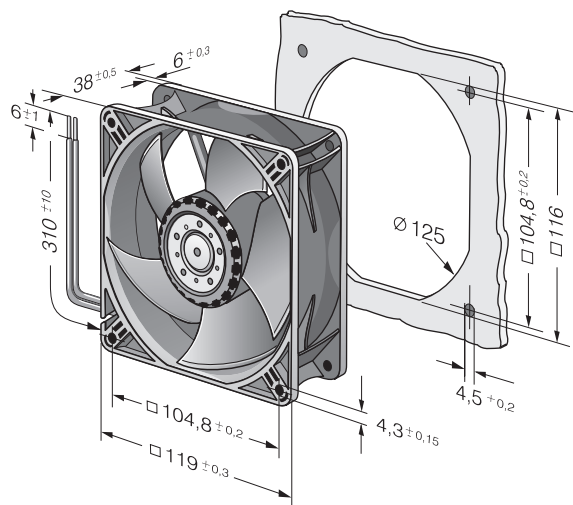
Technical features

Dimensions	119 x 119 x 38 mm
General description	<p>Particular design features:</p> <p>Innovative impeller with winglets for low noise.</p> <p>Control inputs and alarm and speed signals available on request.</p> <p>High-speed version with 5000 rpm, standard models available with /2 and PWM.</p> <p>General features:</p> <p>Material: fibreglass-reinforced plastic. Impeller PA, housing PBT.</p> <p>Electronic commutation completely integrated.</p> <p>Protected against reverse polarity and locking.</p> <p>Connection via single strands AWG 24, TR 64, bared and tin-plated.</p> <p>Air exhaust over bars. Rotational direction clockwise looking at rotor.</p> <p>Mass: 270 g.</p>
Connection line	Single strands AWG 24, TR 64, bared and tin-plated.
Direction of rotation	Right, looking at rotor
Direction of air flow	Air exhaust over bars
Bearing	Ball bearings
Lifetime L10 at 40 °C	65000 h
Lifetime L10 at maximum temperature	32500 h
Mass	0.250 kg
Housing material	Fiberglass-reinforced PBT plastic
Material of impeller	Fiberglass-reinforced PBT plastic
Motor protection	Protected against reverse polarity and locking.

4418 M

DC axial compact fan

Product drawing



Charts: Air flow

