

4412 H

# DC axial compact fan

sickled blades (S series)



## ebm-papst St. Georgen GmbH & Co. KG

Hermann-Papst-Str. 1  
D-78112 St. Georgen  
Phone +49 (0) 7724 81-0  
Fax +49 (0) 7724 81-1309  
info2@de.ebmpapst.com  
www.ebmpapst.com

## Nominal data

| Type                     | 4412 H            |         |
|--------------------------|-------------------|---------|
| Nominal voltage          | VDC               | 12      |
| Nominal voltage range    | VDC               | 7 .. 14 |
| Speed                    | min <sup>-1</sup> | 4300    |
| Power input              | W                 | 8.9     |
| Min. ambient temperature | °C                | -20     |
| Max. ambient temperature | °C                | 70      |
| Air flow                 | m <sup>3</sup> /h | 240     |
| Sound power level        | B                 | 6.0     |
| Sound pressure level     | dB(A)             | 50      |

ml = max. load · me = max. efficiency · fa = running at free air · cs = customer specs · cu = customer unit  
Subject to alterations



4412 H

# DC axial compact fan

sickled blades (S series)

## Technical features

|  |   |
|--|---|
| <b>Mass</b>                                | 0.250 kg  |
| <b>Dimensions</b>                          | 119 x 119 x 38 mm                                   |
| <b>Material of impeller</b>                | Fiberglass-reinforced PBT plastic                   |
| <b>Housing material</b>                    | Fiberglass-reinforced PBT plastic                   |
| <b>Direction of air flow</b>               | Air exhaust over bars                               |
| <b>Direction of rotation</b>               | Right, looking at rotor                             |
| <b>Bearing</b>                             | Ball bearings                                       |
| <b>Lifetime L10 at 40 °C</b>               | 57500 h   |
| <b>Lifetime L10 at maximum temperature</b> | 27500 h   |
| <b>Connection line</b>                     | Single strands AWG 24, TR 64, bared and tin-plated. |
| <b>Motor protection</b>                    | Protected against reverse polarity and locking.     |

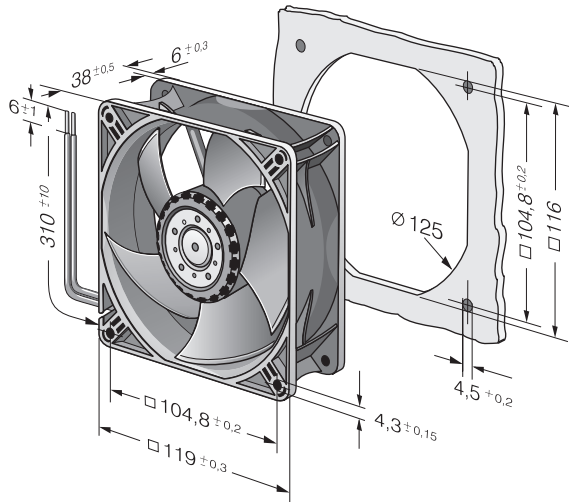


4412 H

# DC axial compact fan

sickled blades (S series)

## Product drawing



## Charts

