

**ebm-papst St. Georgen GmbH & Co. KG**

Hermann-Papst-Str. 1
 D-78112 St. Georgen
 Phone +49 7724 81-0
 Fax +49 7724 81-1309
 info2@de.ebmpapst.com
 www.ebmpapst.com

Nominal data

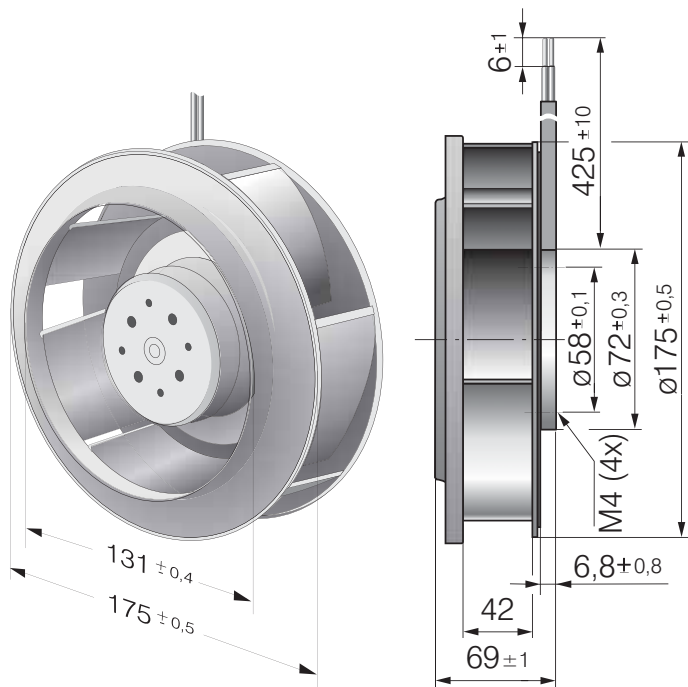
Type	RER 175-42/18/2 TDP	
Nominal voltage	VDC	48
Nominal voltage range	VDC	36 .. 72
Speed	min ⁻¹	5400
Power input	W	166
Min. ambient temperature	°C	-20
Max. ambient temperature	°C	65
Air flow	m ³ /h	980
Sound power level	B	8.5

mi = max. load · me = max. efficiency · fa = running at free air · cs = customer specs · cu = customer unit
 Subject to alterations

Technical features

Mass	0.775 kg
Dimensions	175 Ø x 69 mm
Lifetime L10 at 40 °C	60000 h
Lifetime L10 at maximum temperature	32500 h

Product drawing



Charts

