

**ebm-papst St. Georgen GmbH & Co. KG**

Hermann-Papst-Str. 1

D-78112 St. Georgen

Phone +49 7724 81-0

Fax +49 7724 81-1309

info2@de.ebmpapst.com

www.ebmpapst.com

Nominal data

Type	RER 175-42/18/2 TDMLP	
Nominal voltage	VDC	48
Nominal voltage range	VDC	36 .. 57
Speed	min ⁻¹	3400
Power input	W	46
Min. ambient temperature	°C	-20
Max. ambient temperature	°C	65
Air flow	m ³ /h	600
Sound power level	B	7.3

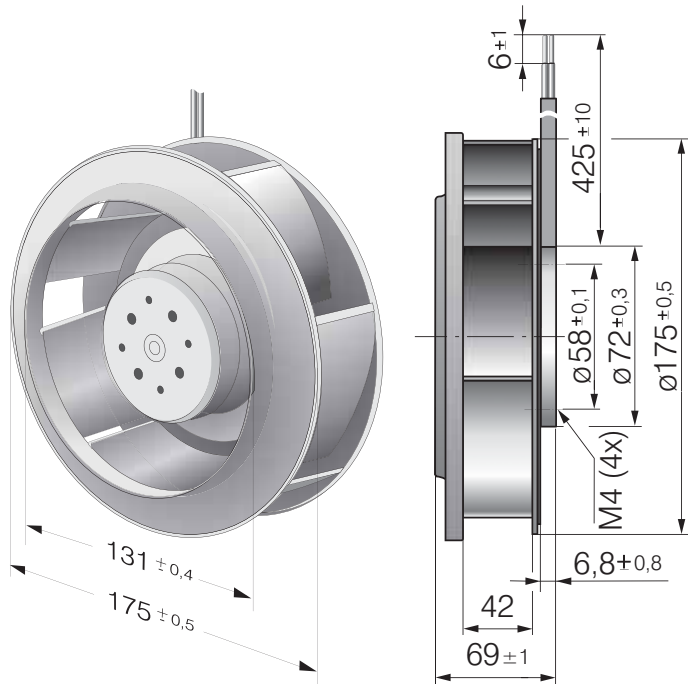
mi = max. load · me = max. efficiency · fa = running at free air · cs = customer specs · cu = customer unit
 Subject to alterations

Technical features

Mass	0.775 kg
Dimensions	175 Ø x 69 mm
Lifetime L10 at 40 °C	72500 h
Lifetime L10 at maximum temperature	45000 h



Product drawing



Charts

