**ebm-papst St. Georgen GmbH & Co. KG**

Hermann-Papst-Straße 1

D-78112 St. Georgen

Phone +49 7724 81-0

Fax +49 7724 81-1309

info2@de.ebmpapst.com

www.ebmpapst.com

**Nominal data**

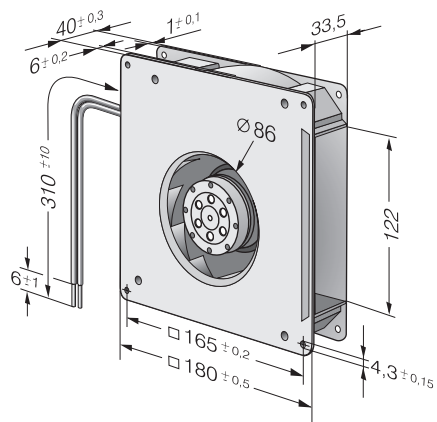
Type	RG 125-19/06	
Phase		1~
Nominal voltage	VAC	115
Frequency	Hz	60
Speed	min <sup>-1</sup>	2750
Power input	W	19.0
Min. ambient temperature	°C	-30
Max. ambient temperature	°C	80
Air flow	m <sup>3</sup> /h	94
Sound power level	B	6.0

ml = max. load · me = max. efficiency · rfa = running at free air · cs = customer specs · cu = customer unit  
Subject to alterations

### Technical features

<b>Dimensions</b>	180 x 180 x 40 mm
<b>General description</b>	AC voltage fan with external rotor motor shaded-pole motor. Protected from overload by impedance protection. Scroll housing and impeller made of fibreglass-reinforced plastic. Housing base of galvanized sheet steel. Centrifugal direction of air flow, air outlet from the housing window. Rotational direction clockwise looking at rotor. Electrical connection to 2 single strands AWG 22. Strand ends bared and tin-plated. Mass 850 g.
<b>Connection line</b>	2 single strands AWG 22
<b>Direction of rotation</b>	Right, looking at rotor
<b>Direction of air flow</b>	Centrifugal, air exhaust out of housing window
<b>Bearing</b>	Ball bearings
<b>Lifetime L10 at 40 °C</b>	40000 h
<b>Lifetime L10 at maximum temperature</b>	15000 h
<b>Mass</b>	0.850 kg
<b>Housing material</b>	Spiral housing of fiberglass-reinforced plastic, housing base of galvanized sheet steel.
<b>Material of impeller</b>	Fiberglass-reinforced plastic
<b>Motor protection</b>	Protected from overload using impedance protection
<b>Approval</b>	VDE, CSA, UL, CE

## Product drawing



**Charts: Air flow**

