

**ebm-papst St. Georgen GmbH & Co. KG**

Hermann-Papst-Straße 1

D-78112 St. Georgen

Phone +49 7724 81-0

Fax +49 7724 81-1309

info2@de.ebmpapst.com

www.ebmpapst.com

Nominal data

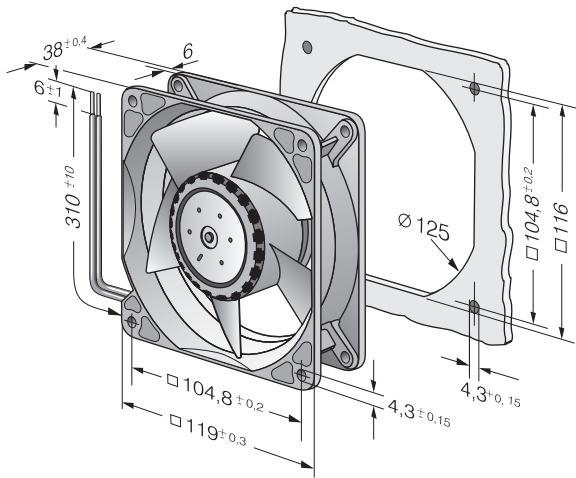
Type	4118 N/2H7P	
Nominal voltage	VDC	48
Nominal voltage range	VDC	36 .. 60
Speed	min ⁻¹	9500
Power input	W	90
Min. ambient temperature	°C	-20
Max. ambient temperature	°C	75
Air flow	m ³ /h	500
Sound power level	B	8.5
Sound pressure level	dB(A)	76

ml = max. load · me = max. efficiency · rfa = running at free air · cs = customer specs · cu = customer unit
Subject to alterations

Technical features

Dimensions	119 x 119 x 38 mm
General description	<p>Particular design features:</p> <ul style="list-style-type: none"> Very rigid compression curve for high air flow at high counterpressure. Low operating noise level at high counterpressure. Standard model with PWM control input and speed signal, other inputs and outputs on request. Very smooth running 3-phase fan drive. <p>General features:</p> <ul style="list-style-type: none"> Housing made of aluminium, impeller made of fibreglass-reinforced PA; housing with grounding lug for M4 x 8 screw (Torx). Protected against reverse polarity and locking. Connection via single strands AWG 20, sensor and control strands AWG 22, UL1007, TR 64 bared and tin-plated. Inlet over bars. Rotational direction clockwise looking at rotor. Mass: 425 g.
Connection line	Single strands AWG 20, sensor and control strands AWG 22, UL 1007, TR 64, bared and tin-plated.
Direction of rotation	Clockwise, looking at rotor
Direction of air flow	Inlet over bars
Bearing	Ball bearings
Lifetime L10 at 40 °C	57500 h
Lifetime L10 at maximum temperature	25000 h
Mass	0.425 kg
Housing material	Aluminum with grounding lug for screw M4 x 8 (TORX).
Material of impeller	Fiberglass-reinforced PA plastic
Motor protection	Protected against reverse polarity and locking.

Product drawing



Charts: Air flow

