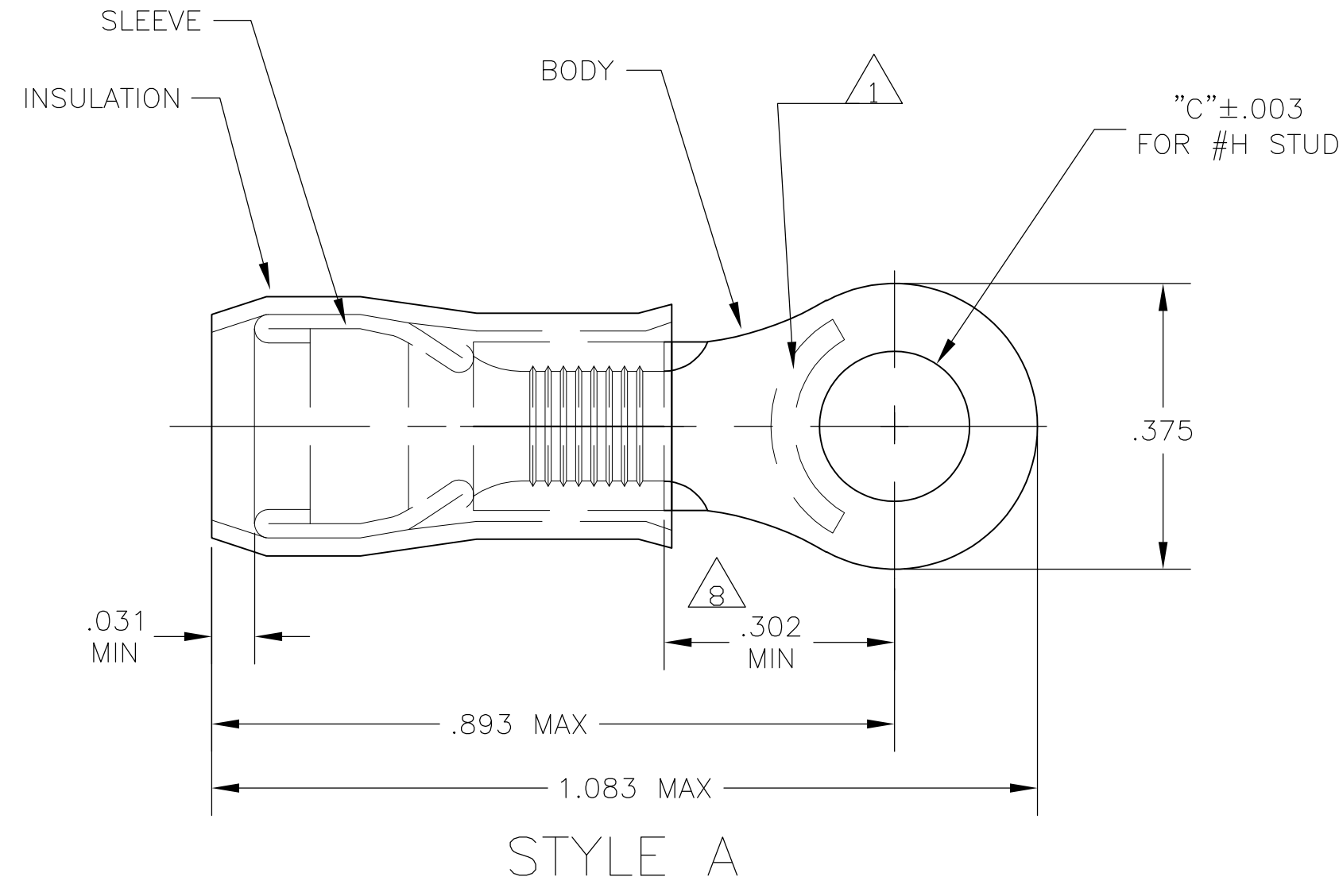
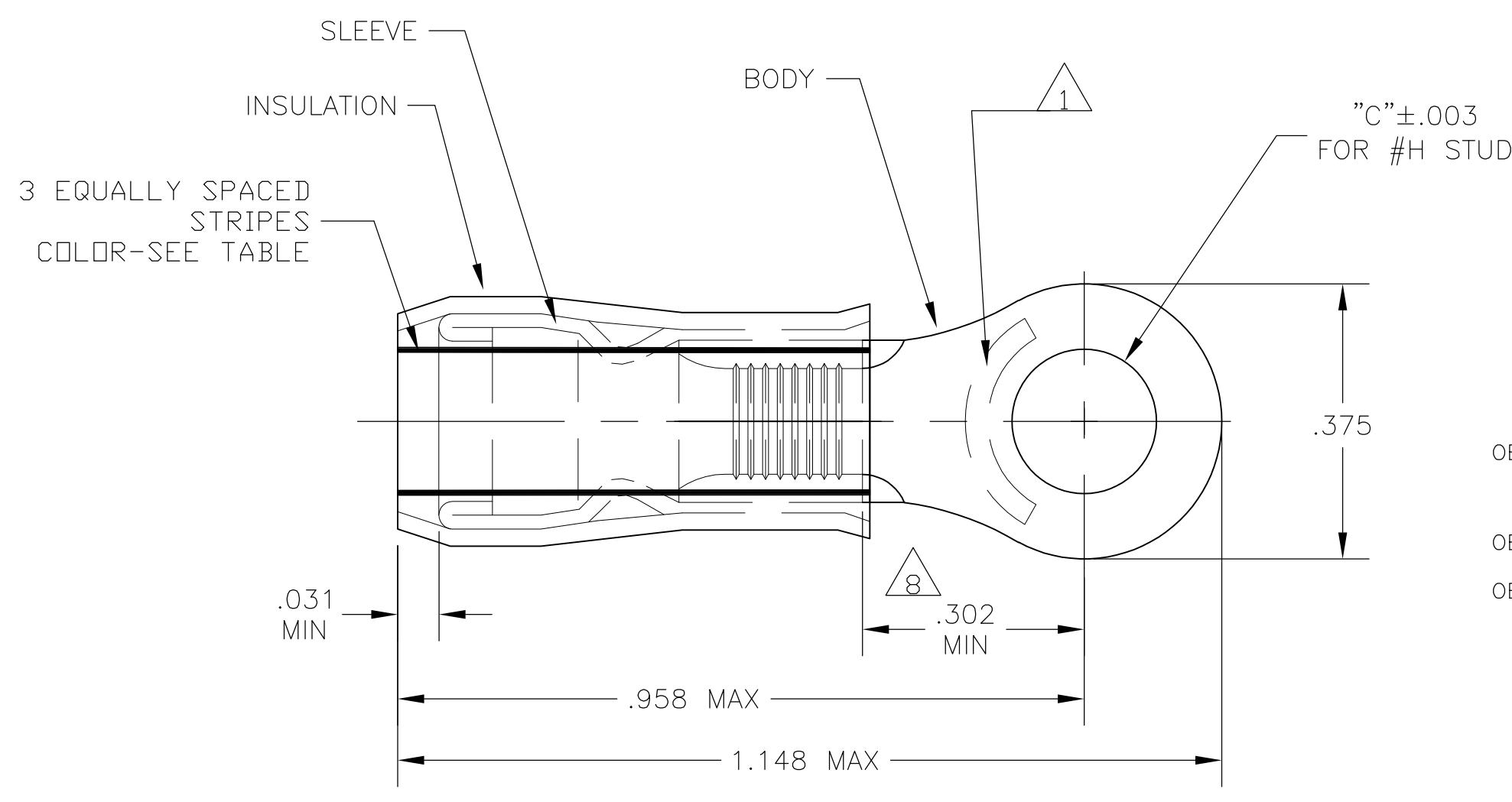


THIS DRAWING IS UNPUBLISHED. RELEASED FOR PUBLICATION  
 © COPYRIGHT - By - ALL RIGHTS RESERVED.

LOC	DIST	REVISIONS					
		P	LTR	DESCRIPTION	DATE	DWN	APVD
G	14		Z2	REVISED PER ECO-11-004587	11MAR11	RK	HMR



STYLE A



STYLE B  
INSULATION RESTRICTING

- 1 STAMP "AMP - SEE TABLE" APPROX AS SHOWN
- 2 WIRE INSULATION DIA: SEE TABLE
- 3 TONGUE MATERIAL THK: .039±.002
- 4 BODY: TIN PLATE .000100 MIN EXT THK PER ASTM B545
- 5 SLEEVE: TIN PLATE .000100 MIN EXT THK PER ASTM B545
- 6 SLEEVE: NICKEL PLATE PER QQ-N-290
- 7 BODY & SLEEVE- CU PER ASTM B152 INSULATION - NYLON PER ASTM D4066 COLOR - YELLOW
- 8 APPLIES FROM EDGE OF METAL WIRE BARREL TO CENTER OF STUD HOLE.
- 9 MEETS MS25036-112, CLASS 1 & 2
- 10 MEETS MS25036-112, CLASS 2
- 11 MEETS M7928/1-58, CLASS 1 & 2
- 12 MEETS M7928/1-65, CLASS 1 & 2
- 13 MEETS M7928/1-56, CLASS 1 & 2
- 14 MEETS M7928/1-63, CLASS 1 & 2
- 15 SUPERSEDED BY 2-36161-5

QTY	PACKAGE TYPE	"H"	"C"	STAMPING	WIRE INSUL DIA	WIRE SIZE	STRIPE COLOR	STYLE	FINISH	PART NO
OBSOLETE	50	LOOSE PIECE, BOX	#10	.197	12	.095-.200	12	YELLOW	B	9-36161-2
	50	LOOSE PIECE, BOX	#10	.197	12-10	.150-.230	12-10	--	A	8-36161-2
OBSOLETE	500	ON TAPE, LG. BOX	#10	.197	12-10	.150-.230	12-10	--	A	3-36161-1
OBSOLETE	2500	ON TAPE & REEL	#6	.145	10	.119-.200	10	BROWN	B	3-36161-0
15	2500	ON TAPE & REEL	#6	.145	12	.095-.200	12	YELLOW	B	2-36161-9
	2500	ON TAPE & REEL	#10	.197	12	.119-.200	12	BROWN	B	2-36161-8
	---	LOOSE PIECE	#6	.145	10	.119-.200	10	BROWN	B	2-36161-6
	---	LOOSE PIECE	#6	.145	12	.095-.200	12	YELLOW	B	2-36161-5
	---	LOOSE PIECE	#10	.197	10	.119-.200	10	BROWN	B	2-36161-4
	---	LOOSE PIECE	#10	.197	12	.095-.200	12	YELLOW	B	2-36161-3
	2500	ON TAPE & REEL	#10	.197	12-10	.150-.230	12-10	--	A	2-36161-2
	---	LOOSE PIECE	#10	.197	12-10	.150-.230	12-10	--	A	36161

<b>CUSTOMER SERVICE SYSTEMS</b> FOR ADDITIONAL PRODUCT INFORMATION OR COPIES OF DRAWINGS AND TECHNICAL DOCUMENTS: 1-800-522-6752 FOR APPLICATION TOOLING ASSISTANCE CENTER: 1-800-722-1111 TOOLING INFORMATION: 1-800-722-1111 FOR ORDER ENTRY: 1-800-526-5142		MAX RECOMMENDED OPERATING TEMPERATURE: 105°C MAX VOLTAGE RATING: 300 VOLT MAX CIRCULAR MIL AREA: 2.62-6.64mm² [5,180-13,100] STRANDED OR SOLID	THIS DRAWING IS A CONTROLLED DOCUMENT. DIMENSIONS: INCHES TOLERANCES UNLESS OTHERWISE SPECIFIED: 0 PLC ± - 1 PLC ± - 2 PLC ± - 3 PLC ± .008 4 PLC ± - ANGLES ± -	DWN: JR RUTH 17DEC09 CHK: T. MICHIELUTTI 17DEC09 APVD: T. MICHIELUTTI 17DEC09 PRODUCT SPEC: - APPLICATION SPEC: - WEIGHT: -	<b>TE</b> TE Connectivity NAME: - PRODUCT: TERMINAL, RING TONGUE, PIDG WIRE SIZE: 12-10 AWG SIZE: A2 CAGE CODE: 00779 DRAWING NO: C-36161 RESTRICTED TO: - SCALE: 5:1 SHEET: 1 of 1 REV: Z2
--	--	--	--	--	---