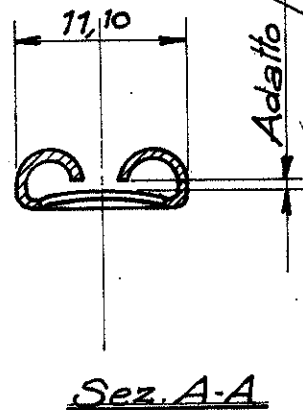
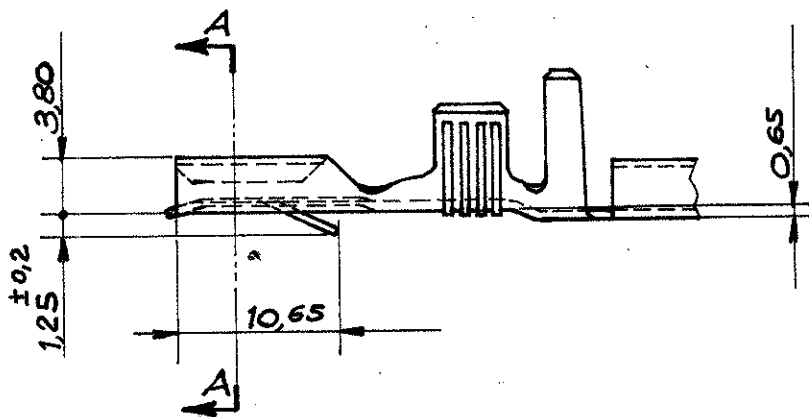
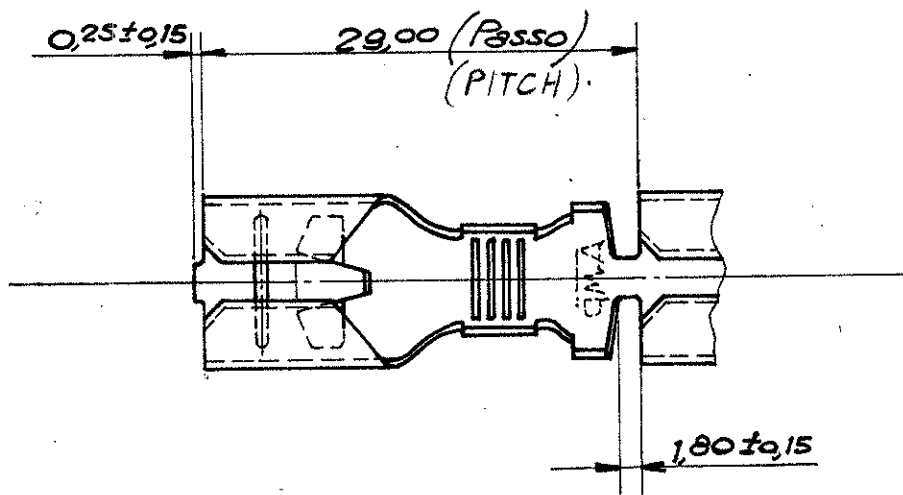


NUMBER
280755



Adatto per linguetta sp. 1,20
(TO FIT 1,20 mm TAB THK)

1 OBSOLETE PARTS: OBSOLETE CIS STREAMLINING PER D.RENAUD/D.SINISI

280755-4	BRONZO FOSF. STAGH. (TIN PL. PH. BR.)	
280755-3	BRONZO FOSF. (PHOSPH. BRONZE)	OBSOLETE 1
280755-2	OTTONE STAGNATO (TIN PL. BRASS)	
280755-1	OTTONE (BRASS)	OBSOLETE
NUMERO (PART. N.)	MAT./FINITURA (MAT./FINISH)	

PROIEZIONE AMERICANA
(AMERICAN PROJECTION)

CUSTOMER COPY
REFERENCE ONLY

MATERIAL AND FINISH

VEDERE TABELLA
(SEE TABLE)



TE Connectivity

CLASS

TYPE

B2 REVISED PER ECO-11-005140 RK HMR SMAY11

WIRE RANGE INSULATION
6 ÷ 10 mm² | φ 5 ÷ 7 mm

LTR REVISION RECORD (DR) CHK DATE

TOLERANCE EXCEPT AS NOTED
± 0,3 - TO 0

SCALE

LOC

NO

280755

R

B2

DR Sopper JULY 1976 DE

DR M. Monofeno 29/24/76

NAME

.375 SERIES FASTIN-FASTON RECEPTACLE

DIMENSIONS IN MM. DO NOT SCALE PRINT

PRINT DIST