

# Low Power NTSC/PAL/SECAM Video Decoder with Differential CVBS Inputs

## TW9990

### Features

#### Video Decoder

- NTSC (M, 4.43) and PAL (B, D, G, H, I, M, N, N combination), PAL (60), SECAM support with automatic format detection
- Software selectable analog input control allows for combinations of single ended CVBS, differential CVBS, and S-Video
- Built-in analog anti-alias filter
- Two 10-bit ADCs and analog clamping circuit
- Fully programmable static gain or automatic gain control for the Y channel
- Programmable white peak control for the Y channel
- 4-H adaptive comb filter Y/C separation
- PAL delay line for color phase error correction
- Image enhancement with peaking and CTI.
- Digital sub-carrier PLL for accurate color decoding
- Digital Horizontal PLL for synchronization processing and pixel sampling
- Advanced synchronization processing and sync detection for handling non-standard and weak signal
- Programmable hue, brightness, saturation, contrast, and sharpness.
- Automatic color control and color killer
- Chroma IF compensation
- VBI slicer supporting industrial standard data services
- VBI data pass through, raw ADC data output
- Programmable output cropping

#### Digital Output

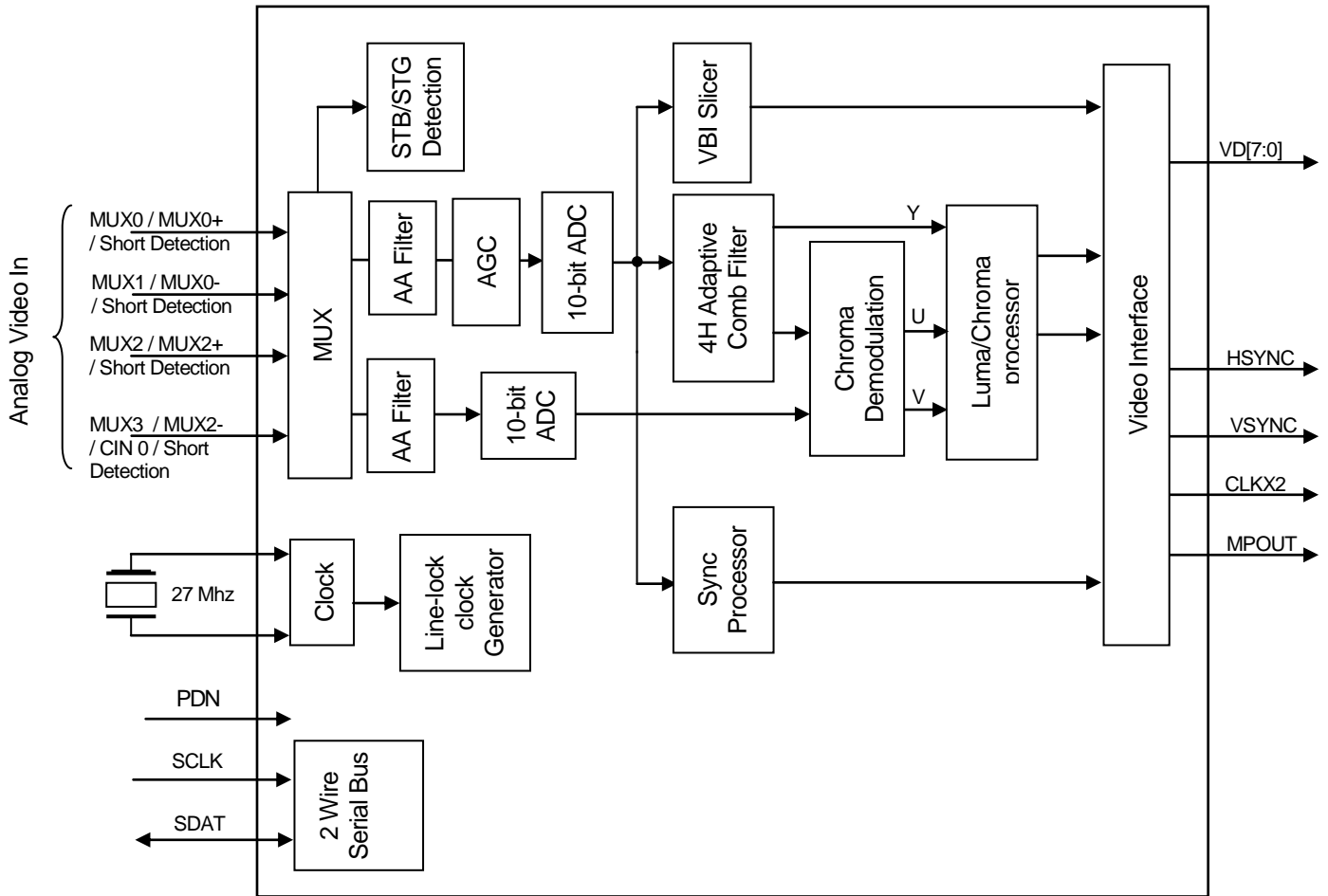
- ITU-R 601 or ITU-R 656 compatible YCbCr (4:2:2) output format

#### Miscellaneous

- Short to Battery Detection Test
- Short to Ground Detection Test
- Two wire MPU serial bus interface
- Supports Real Time Control interface
- Power save and Power down mode
- Low power consumption
- Single 27MHz crystal for all operations
- Supports 24.54MHz and 29.5MHz crystal for high resolution square pixel format decoding
- 3.3V tolerant I/O
- 1.8V / 3.3 V power supply
- 32pin WQFN (QFN with wettable flanks)

# TW9990

FIGURE 1. TW9990BLOCK DIAGRAM



For additional products, see [www.intersil.com/product\\_tree](http://www.intersil.com/product_tree)

Intersil products are manufactured, assembled and tested utilizing ISO9000 quality systems as noted in the quality certifications found at [www.intersil.com/design/quality](http://www.intersil.com/design/quality)

*Intersil products are sold by description only. Intersil Corporation reserves the right to make changes in circuit design, software and/or specifications at any time without notice. Accordingly, the reader is cautioned to verify that data sheets are current before placing orders. Information furnished by Intersil is believed to be accurate and reliable. However, no responsibility is assumed by Intersil or its subsidiaries for its use; nor for any infringements of patents or other rights of third parties which may result from its use. No license is granted by implication or otherwise under any patent or patent rights of Intersil or its subsidiaries.*

For information regarding Intersil Corporation and its products, see [www.intersil.com](http://www.intersil.com)