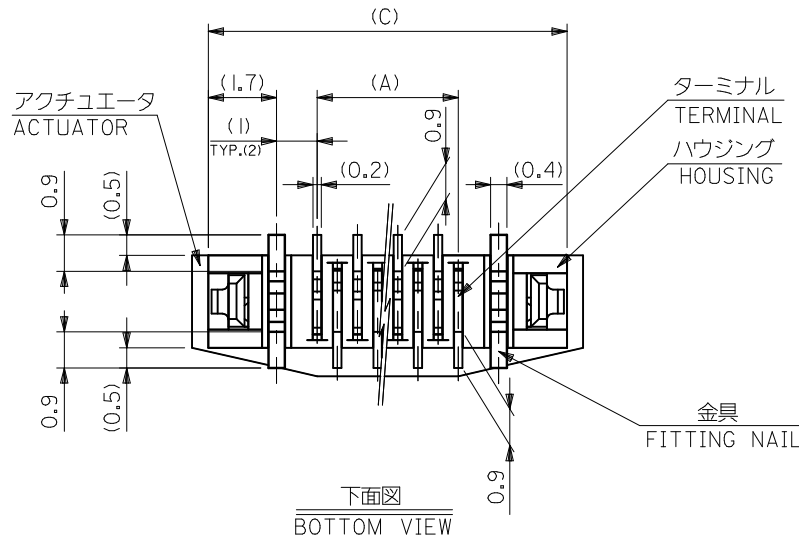


注記 NOTES

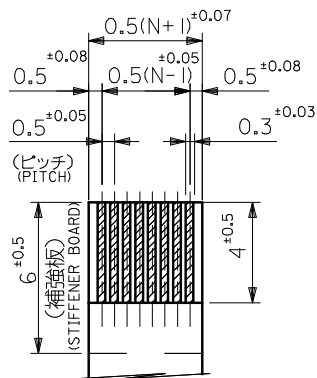
- 使用材料 : MATERIAL
 - ハウジング HOUSING : 46NYLON UL94V-0
 - アクチュエータ ACTUATOR : PPS UL94V-0
 - ターミナル TERMINAL : リン青銅 (t=0.2) PHOS-BRO
 - 接点部 CONTACT GOLD 0.1 MICROMETER MINIMUM
 - 半田付け部 SOLDER TAIL 1.0 MICROMETER MINIMUM
 - ニッケル下地 NICKEL (UNDER PLATING) 1.0 MICROMETER MINIMUM
 - 金具 FITTING NAIL : リン青銅 (t=0.4) PHOS-BRO
 - ニッケル下地 NICKEL (UNDER PLATING) 1.0 MICROMETER MINIMUM
 - 半田付け部 SOLDER TAIL 1.0 MICROMETER MINIMUM
 - ニッケル下地 NICKEL (UNDER PLATING) 1.0 MICROMETER MINIMUM
- エンボスステップ部は、アクチュエータがロックした状態とする。
IN THE PACKAGE, ACTUATOR OF PART NO. 52559-**79 SHOULD BE LOCKED.
- ソルダータール半田付け面のズレ量、及び金具半田付け面のズレ量は、基準面 G に対し上方向 0.05 MAX. , 下方向 0.15 MAX. とする。
MISALIGNMENT OF SOLDER TAILS AND FITTING NAILS FROM G UPPER DIRECTION: 0.05 MAX. , LOWER DIRECTION: 0.15 MAX.
- 偶数極に適用。
APPLY FOR EVEN CIRCUIT.
- パターンはくり止め用金具。
FITTING NAIL FOR PREVENTION OF PEELING OF P.C.B. PATTERN.
- RO.3は、FPCの導体部にカカらないこと。
RO.3 MUST NOT BE OVERLAPPED TO PATTERN OF FPC.

MODEL NO. 52559-**79

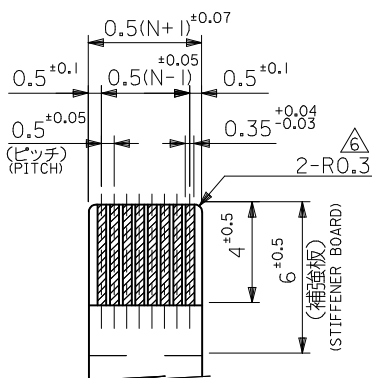
| | | | | | | | | | | |
|---|--------------------|---------------------------------------|---|----------------------------|------------------------------|---------------------------------|------------------------|------------------------|--|--|
| REVISED EC NO: J2012-0823 DRWN:KNAGUMO 2011/12/15 CHKD:KAKAHASHI 2011/12/16 APPR:KMORIKAWA 2011/12/16 | DESCRIPTION REV | GENERAL TOLERANCES (UNLESS SPECIFIED) | | DIMENSION STYLE MM ONLY | | SCALE --- | DESIGN UNITS METRIC | THIRD ANGLE PROJECTION | | |
| | | 10 UNDER | ±0.2 | DRAWN BY MNABE I | DATE '04/07/13 | TITLE 0.5 FPC CONN ASSY ZIF. | | | | |
| | | 10 OVER 30 UNDER | ±0.25 | CHECKED BY KTOJO | DATE '04/07/13 | -LEAD FREE- | | | | |
| | | 30 OVER | ±0.3 | APPROVED BY NUKITA | DATE '04/07/13 | MOLEX INCORPORATED | | | | |
| | | ANGULAR | ±3 ° | MATERIAL NO. SEE CHART | DOCUMENT NO. SD-52559-048 | SHEET NO. 1 OF 2 | | | | |
| DRAFT WHERE APPLICABLE MUST REMAIN WITHIN DIMENSIONS | | SIZE A3 | THIS DRAWING CONTAINS INFORMATION THAT IS PROPRIETARY TO MOLEX INCORPORATED AND SHOULD NOT BE USED WITHOUT WRITTEN PERMISSION | | | | | | | |



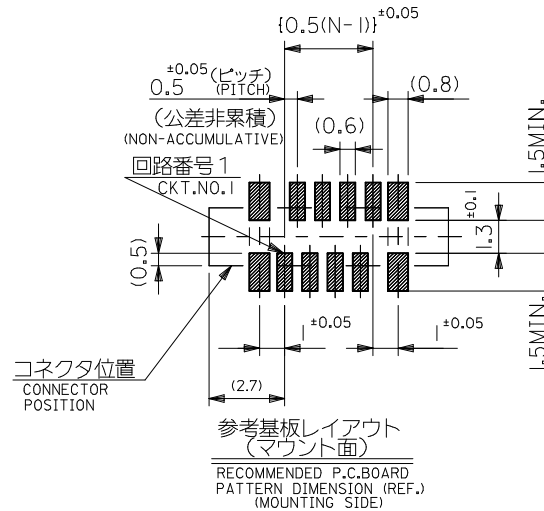
下面図
BOTTOM VIEW



適合F F C推奨寸法
APPLICABLE FFC
RECOMMENDED DIMENSION.
(仕上がり厚さ: 0.3±0.05)
(THICKNESS: 0.3±0.05)



適合F P C推奨寸法
APPLICABLE FPC
RECOMMENDED DIMENSION.
(仕上がり厚さ: 0.3±0.05)
(THICKNESS: 0.3±0.05)

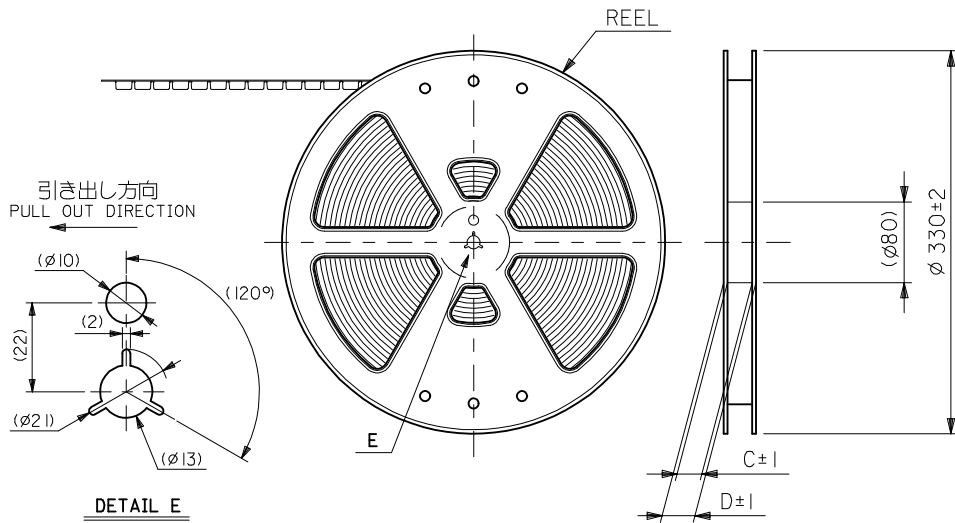


FPCについて：
打抜き方向は導体側から補強板側を推奨致します。
補強フィルム材質はポリイミドを推奨致します。
接着剤は熱硬化接着剤を推奨致します。

ABOUT FPC :
RECOMMENDED PUNCHER DIRECTION : FROM CONDUCTOR SIDE TO STIFFENER BOARD SIDE.
RECOMMENDED MATERIAL :
STIFFENER FILM : POLYIMIDE
BONDING AGENT : THERMOSETTING BONDING AGENT

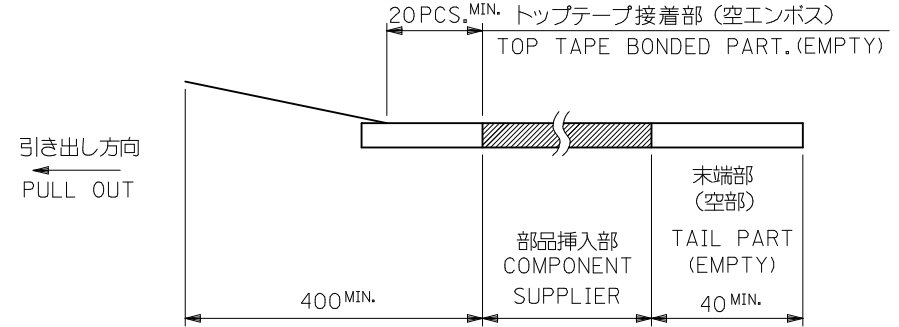
| | | | | | |
|------|------|-------|------|--------------|------------|
| 25.7 | 24.9 | 20.65 | 19.5 | 52559-4079 | 40 |
| 23.7 | 22.9 | 18.65 | 17.5 | | -3679 36 |
| 22.2 | 21.4 | 17.15 | 16.0 | | -3379 33 |
| 21.7 | 20.9 | 16.65 | 15.5 | | -3279 32 |
| 21.2 | 20.4 | 16.15 | 15.0 | | -3179 31 |
| 20.7 | 19.9 | 15.65 | 14.5 | | -3079 30 |
| 20.2 | 19.4 | 15.15 | 14.0 | | -2979 29 |
| 19.7 | 18.9 | 14.65 | 13.5 | | -2879 28 |
| 19.2 | 18.4 | 14.15 | 13.0 | | -2779 27 |
| 18.7 | 17.9 | 13.65 | 12.5 | | -2679 26 |
| 18.2 | 17.4 | 13.15 | 12.0 | | -2579 25 |
| 17.7 | 16.9 | 12.65 | 11.5 | | -2479 24 |
| 17.2 | 16.4 | 12.15 | 11.0 | | -2379 23 |
| 16.7 | 15.9 | 11.65 | 10.5 | | -2279 22 |
| 16.2 | 15.4 | 11.15 | 10.0 | | -2179 21 |
| 15.7 | 14.9 | 10.65 | 9.5 | | -2079 20 |
| 15.2 | 14.4 | 10.15 | 9.0 | | -1979 19 |
| 14.7 | 13.9 | 9.65 | 8.5 | | -1879 18 |
| 14.2 | 13.4 | 9.15 | 8.0 | | -1779 17 |
| 13.7 | 12.9 | 8.65 | 7.5 | | -1679 16 |
| 13.2 | 12.4 | 8.15 | 7.0 | | -1579 15 |
| 12.7 | 11.9 | 7.65 | 6.5 | | -1479 14 |
| 12.2 | 11.4 | 7.15 | 6.0 | | -1379 13 |
| 11.7 | 10.9 | 6.65 | 5.5 | | -1279 12 |
| 11.2 | 10.4 | 6.15 | 5.0 | | -1179 11 |
| 10.7 | 9.9 | 5.65 | 4.5 | | -1079 10 |
| 10.2 | 9.4 | 5.15 | 4.0 | | -0979 9 |
| 9.7 | 8.9 | 4.65 | 3.5 | | -0879 8 |
| 8.7 | 7.9 | 3.65 | 2.5 | 52559-0679 | 6 |
| D | C | B | (A) | MATERIAL NO. | 極数 CKT. |

| | | | | | | | | |
|---|-------------|---------------------------------------|---|--------------------|--------------|------------------------|------------|------------------------|
| REVISED EC NO: J2012-0823 DRWN:KNAGUMO 2011/12/15 CHKD:KAKAHASHI 2011/12/16 APPR:KMORIKAWA 2011/12/16 | DESCRIPTION | GENERAL TOLERANCES (UNLESS SPECIFIED) | | DIMENSION STYLE | SCALE | MODEL NO. | 52559-**79 | |
| | | | | MM ONLY | --- | DESIGN UNITS | METRIC | |
| | | 10 UNDER ±0.2 | | DRAWN BY | DATE | TITLE | | THIRD ANGLE PROJECTION |
| | | 10 OVER 30 UNDER ±0.25 | | MNABEI | '04/07/13 | 0.5 FPC CONN ASSY ZIF. | | |
| 30 OVER ±0.3 | | CHECKED BY | DATE | -LEAD FREE- | | | | |
| ANGULAR ±3 ° | | APPROVED BY | DATE | MOLEX INCORPORATED | | | | |
| DRAFT WHERE APPLICABLE MUST REMAIN WITHIN DIMENSIONS | | NUKITA | '04/07/13 | MOLEX INCORPORATED | | | | |
| | | MATERIAL NO. | SEE CHART | DOCUMENT NO. | SD-52559-048 | SHEET NO. | 2 OF 2 | |
| | | SIZE | THIS DRAWING CONTAINS INFORMATION THAT IS PROPRIETARY TO MOLEX INCORPORATED AND SHOULD NOT BE USED WITHOUT WRITTEN PERMISSION | | | | | |



注記 NOTES

- 製品番号 52559-**79 の梱包状態はアクチュエータがロックした状態とする。
 詳細寸法については 製品単体図面を参照下さい。
 IN THE PACKAGE,ACTUATOR OF PART NO.52559-**79 SHOULD BE LOCKED
 RE DETAILED DIMENSIONS,SEE ASSY DRAWING
- 梱包数量：1000個/リール
 NUMBER OF CONNECTORS:1000PCS/REEL
- リードテープ長さ LEAD TAPE LENGTH



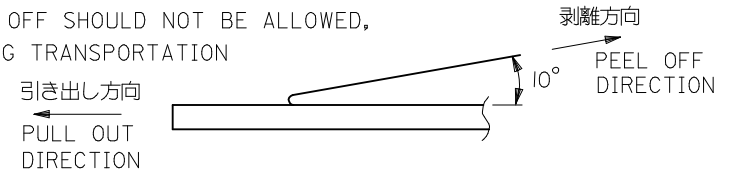
5. 材料 キャリアテープ：ポリプロピレン (PP)
 トップテープ：PET, PE, PEF
 リール：ポリスチレン (PS) <リサイクル材を含む>

MATERIAL CARRIER TAPE:POLYPROPYLENE
 TOP TAPE:PET,PE,PEF
 REEL:POLYSTYRENE (PS)
 <RECYCLE MATERIAL CONTAINED>

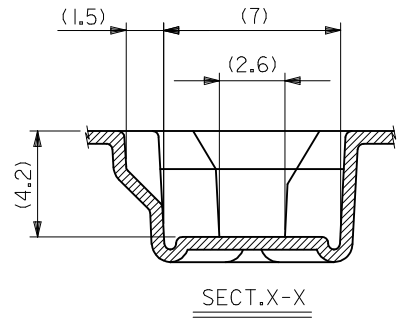
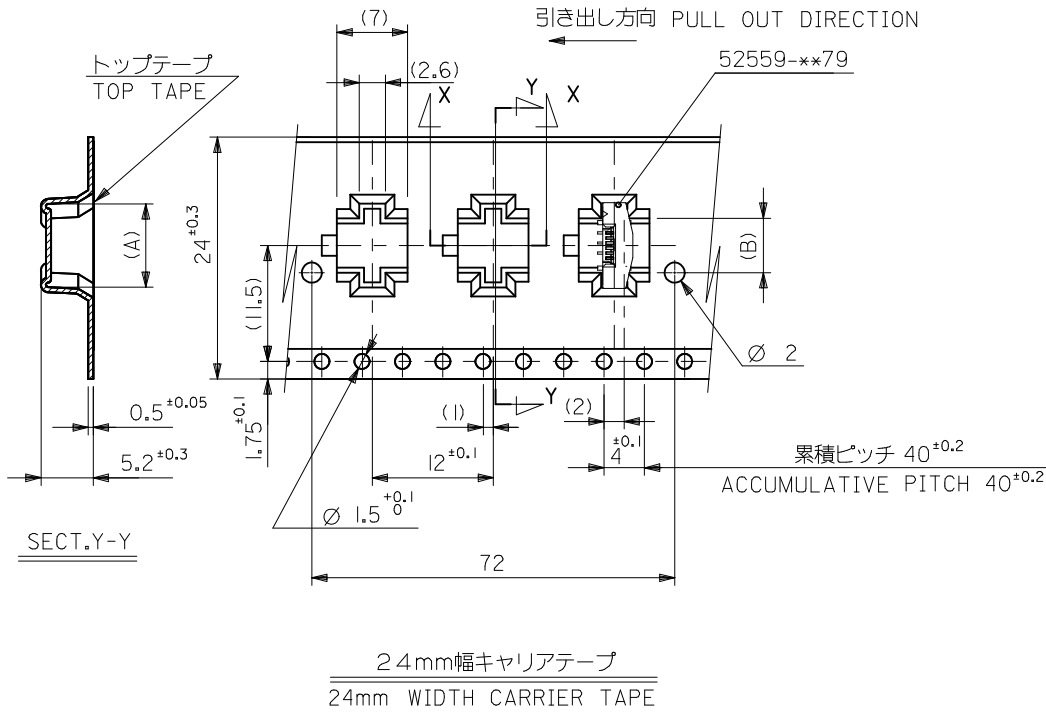
6. 本製品は 52559-**53 のエンボステープ違い品である。
 THIS PRODUCT IS EMBOSSED TAPE DIFFERENCE ARTICLE OF 52559-**53.

7. 本製品は乾燥剤入り、ハイバリア梱包仕様である。
 THIS PRODUCT IS HIGH BARRIER PACKAGE WITH DESICCANT.

- トップテープの剥離強度：(剥離方向は下図参照)
 0.1N~1.3N {10gf~130gf} 尚、本規格値は、出荷時に適用。
 (但し、輸送時に剥離が発生しない事。)
 PEELING OFF FORCE OF TOP TAPE
 0.1N~1.3N{10gf~130gf}(PEELING DIRECTION AS SHOWN IN FOLLOWING FIG.)
 THIS REQUIREMENT SHOULD BE APPLIED AT SHIPMENT
 PEEL OFF SHOULD NOT BE ALLOWED,
 DURING TRANSPORTATION

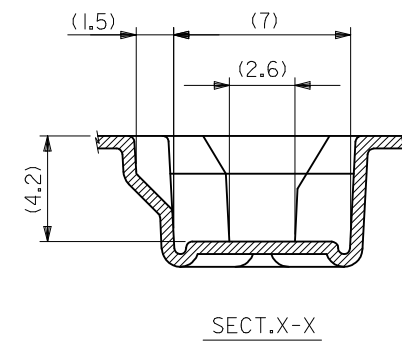
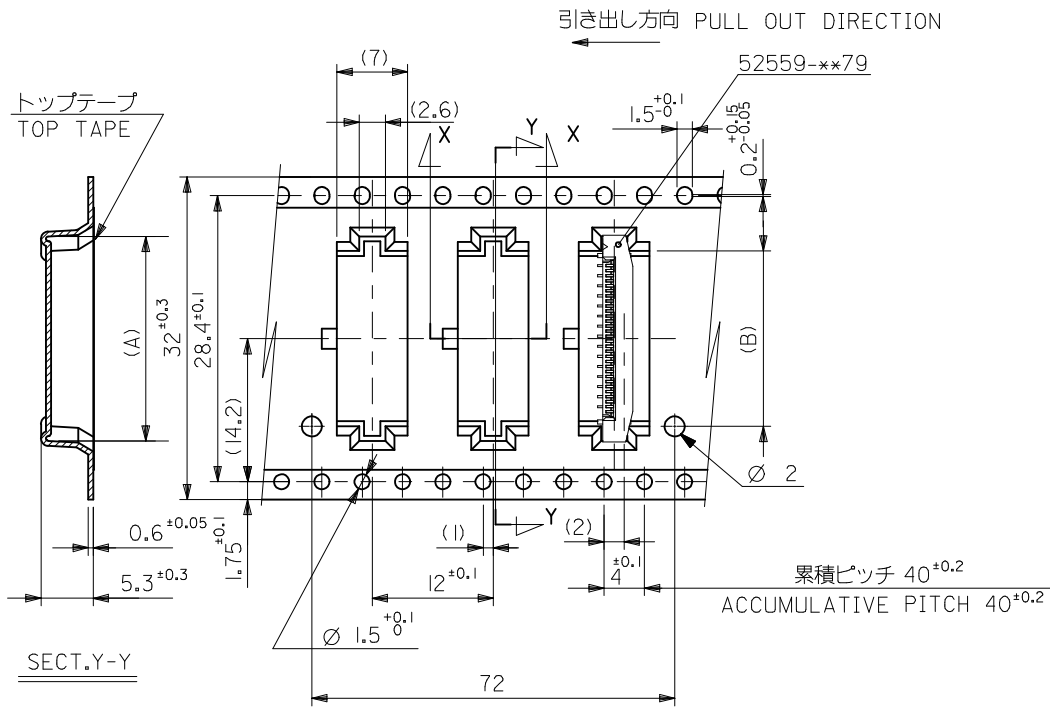


| | | | | | | | | | |
|---|--------------------|---------------------------------------|-------|--|-------------------|---|------------------------|------------------------|--|
| REVISED EC NO: J2013-0959 DRWN:TMORISHITA 2013/03/01 CHKD:KAKAHASHI 2013/03/01 APP:KMORIKAWA 2013/03/01 | DESCRIPTION REV | GENERAL TOLERANCES (UNLESS SPECIFIED) | | DIMENSION STYLE MM ONLY | | SCALE --- | DESIGN UNITS METRIC | THIRD ANGLE PROJECTION | |
| | | 10 UNDER | ±0.2 | DRAWN BY MNABEI | DATE '04/07/13 | TITLE 0.5 FPC CONN ASSY ZIF FOR SMT EMBSTP PKG -LEAD FREE- | | | |
| | | 10 OVER 30 UNDER | ±0.25 | CHECKED BY KTOJO | DATE '04/07/13 | MATERIAL NO. SEE CHART | | | |
| | | 30 OVER | ±0.3 | APPROVED BY NUKITA | DATE '04/07/13 | THIS DRAWING CONTAINS INFORMATION THAT IS PROPRIETARY TO MOLEX INCORPORATED AND SHOULD NOT BE USED WITHOUT WRITTEN PERMISSION | | | |
| | | ANGULAR | ±3 ° | DRAFT WHERE APPLICABLE MUST REMAIN WITHIN DIMENSIONS | | | | | |



| | | | | | | | | |
|--------------------------------|------|------------|------|------|------------|-----|--------------|-------------|
| 24 | 29.4 | 25.4 | 14.4 | 17.3 | 52559-2452 | 24 | | |
| | | | 13.9 | 16.8 | 52559-2352 | 23 | | |
| | | | 12.9 | 15.8 | 52559-2152 | 21 | | |
| | | | 12.4 | 15.3 | 52559-2052 | 20 | | |
| | | | 10.9 | 13.8 | 52559-1752 | 17 | | |
| | | | 10.4 | 13.3 | 52559-1652 | 16 | | |
| | | | 9.9 | 12.8 | 52559-1552 | 15 | | |
| | | | 9.4 | 12.3 | 52559-1452 | 14 | | |
| | | | 8.4 | 11.3 | 52559-1252 | 12 | | |
| | | | 7.4 | 10.3 | 52559-1052 | 10 | | |
| 6.9 | 9.8 | 52559-0952 | 9 | | | | | |
| 5.4 | 8.3 | 52559-0652 | 6 | | | | | |
| キャリアテープ幅 CARRIER TAPE WIDTH | | | D | C | (B) | (A) | MATERIAL NO. | CIRCUIT NO. |

| | | | | | | | | | | | | |
|---|--------------------|--|-------|----------------------------|-------------------|---|--|------------------------|--|------------------------|--|--|
| REVISED EC NO: J2013-0959 DRWN: TMORISHITA 2013/03/01 CHKD: TAKAHASHI 2013/03/01 APPR: KMORIKAWA 2013/03/01 | DESCRIPTION REV | GENERAL TOLERANCES (UNLESS SPECIFIED) | | DIMENSION STYLE MM ONLY | | SCALE --- | | DESIGN UNITS METRIC | | THIRD ANGLE PROJECTION | | |
| | | 10 UNDER | ±0.2 | DRAWN BY MNABEI | DATE '04/07/13 | TITLE 0.5 FPC CONN ASSY ZIF FOR SMT EMBSTP PKG -LEAD FREE- | | | | | | |
| | | 10 OVER 30 UNDER | ±0.25 | CHECKED BY KTOJO | DATE '04/07/13 | | | | | | | |
| | | 30 OVER | ±0.3 | APPROVED BY NUKITA | DATE '04/07/13 | | | | | | | |
| ANGULAR ±3 ° | | DRAFT WHERE APPLICABLE MUST REMAIN WITHIN DIMENSIONS | | MATERIAL NO. SEE CHART | | DOCUMENT NO. SD-52559-049 | | SHEET NO. 2 OF 4 | | | | |
| THIS DRAWING CONTAINS INFORMATION THAT IS PROPRIETARY TO MOLEX INCORPORATED AND SHOULD NOT BE USED WITHOUT WRITTEN PERMISSION | | | | | | | | | | | | |



SECT.Y-Y

32mm幅キャリアテープ
32mm WIDTH CARRIER TAPE

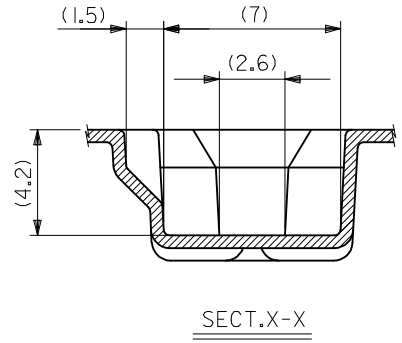
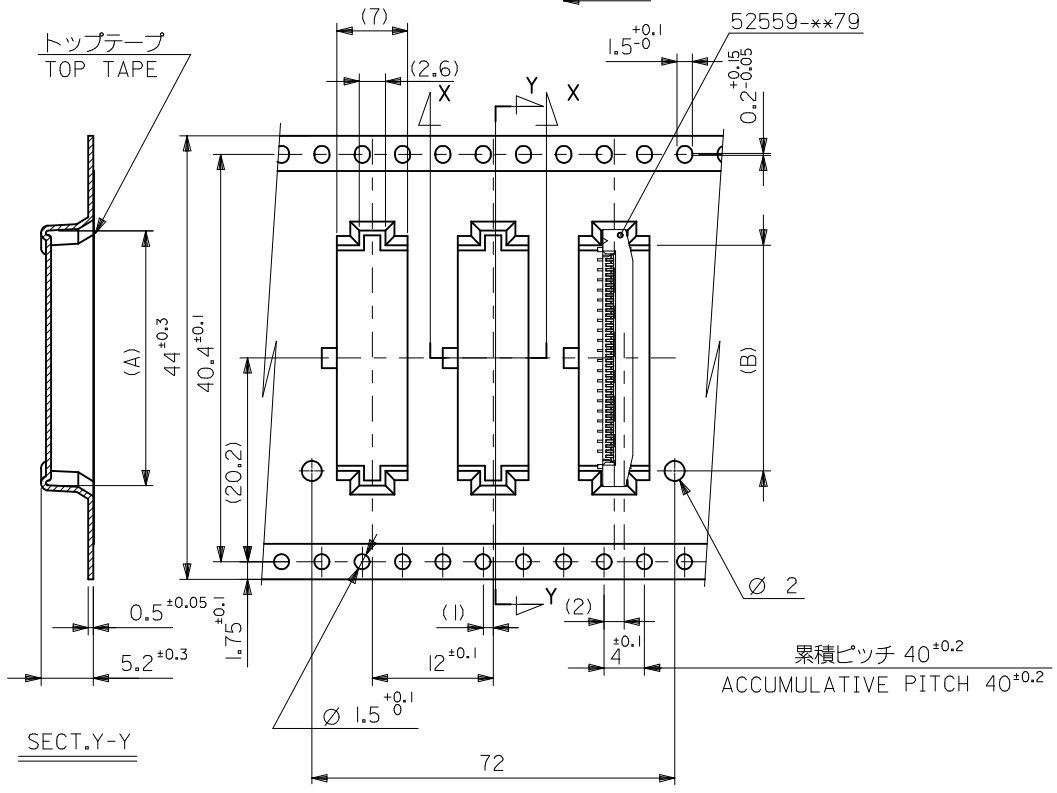
累積ピッチ 40^{+0.2}
ACCUMULATIVE PITCH 40^{+0.2}

| | | | | | | |
|--------------------------------|------|------|------|------|--------------|-------------|
| 32 | 37.4 | 33.4 | 18.4 | 21.3 | 52559-3252 | 32 |
| | | | 17.4 | 20.3 | 52559-3052 | 30 |
| | | | 16.4 | 19.3 | 52559-2852 | 28 |
| | | | 15.9 | 18.8 | 52559-2752 | 27 |
| | | | 15.4 | 18.3 | 52559-2652 | 26 |
| キャリアテープ幅 CARRIER TAPE WIDTH | D | C | (B) | (A) | MATERIAL NO. | CIRCUIT NO. |

| | | | |
|---------|-------------------|------------|--|
| REVISED | EC NO. J2013-0959 | 2013/03/01 | GENERAL TOLERANCES (UNLESS SPECIFIED) |
| | DRWN: TMORISHITA | 2013/03/01 | 10 UNDER ±0.2 |
| | CHKD: TAKAHASHI | 2013/03/01 | 10 OVER 30 UNDER ±0.25 |
| | APPR: KMORIKAWA | 2013/03/01 | 30 OVER ±0.3 |
| | DESCRIPTION | | ANGULAR ±3 ° |
| REV | | | DRAFT WHERE APPLICABLE MUST REMAIN WITHIN DIMENSIONS |

| | | | |
|-----------------|---|--|------------------------|
| DIMENSION STYLE | SCALE | DESIGN UNITS | THIRD ANGLE PROJECTION |
| MM ONLY | --- | METRIC | ☉ |
| DRAWN BY | DATE | TITLE | |
| MNABEI | '04/07/13 | 0.5 FPC CONN ASSY ZIF FOR SMT EMBSTP PKG -LEAD FREE- | |
| CHECKED BY | DATE | molex | |
| KTOJO | '04/07/13 | | |
| APPROVED BY | DATE | MATERIAL NO. | DOCUMENT NO. |
| NUKITA | '04/07/13 | SEE CHART | SD-52559-049 |
| SIZE | THIS DRAWING CONTAINS INFORMATION THAT IS PROPRIETARY TO MOLEX INCORPORATED AND SHOULD NOT BE USED WITHOUT WRITTEN PERMISSION | | |
| A3 | SHEET NO. 3 OF 4 | | |

引き出し方向 PULL OUT DIRECTION



44mm幅キャリアテープ
44mm WIDTH CARRIER TAPE

| | | | | | | |
|--------------------------------|------|------|------|------|--------------|-------------|
| 44 | 49.4 | 45.4 | 22.4 | 25.3 | 52559-4052 | 40 |
| キャリアテープ幅 CARRIER TAPE WIDTH | D | C | (B) | (A) | 52559-3652 | 36 |
| | | | | | MATERIAL NO. | CIRCUIT NO. |

| | | |
|---|--|-------|
| REVISED EC NO.: J2013-0959 DRWN: TMORISHITA 2013/03/01 CHKD: KTAKAHASHI 2013/03/01 APPR: KMORIKAWA 2013/03/01 | GENERAL TOLERANCES (UNLESS SPECIFIED) | |
| | 10 UNDER | ±0.2 |
| | 10 OVER 30 UNDER | ±0.25 |
| | 30 OVER | ±0.3 |
| | ANGULAR | ±3 ° |
| REV | DRAFT WHERE APPLICABLE MUST REMAIN WITHIN DIMENSIONS | |

| | | | | |
|---|-------------------|---|------------------------|---------------------------|
| DIMENSION STYLE MM ONLY | | SCALE --- | DESIGN UNITS METRIC | THIRD ANGLE PROJECTION |
| DRAWN BY MNABEI | DATE '04/07/13 | TITLE 0.5 FPC CONN ASSY ZIF FOR SMT EMBSTP PKG -LEAD FREE- | | |
| CHECKED BY KTOJO | DATE '04/07/13 | molex | | |
| APPROVED BY NUKITA | DATE '04/07/13 | | | |
| MATERIAL NO. SEE CHART | | DOCUMENT NO. SD-52559-049 | SHEET NO. 4 OF 4 | |
| SIZE A3 THIS DRAWING CONTAINS INFORMATION THAT IS PROPRIETARY TO MOLEX INCORPORATED AND SHOULD NOT BE USED WITHOUT WRITTEN PERMISSION | | | | |