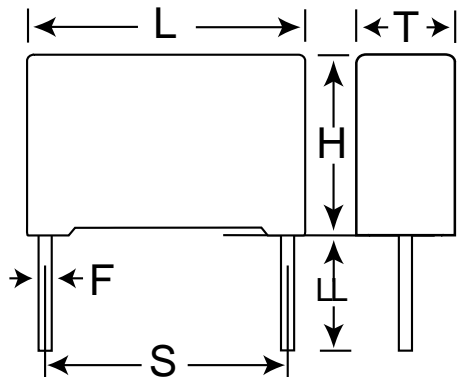


**KEMET Part Number: R46KN347000N0M**  
(46KN347000N0M)

Capacitor, film, 0.47 uF, +/-20% Tol, -40/+110C, Safety: X2, 275VAC, Lead Spacing=22.5 mm



Dimensions (mm)		
Symbol	Dimension	Tolerance
L	26.5	+0.3
H	16	+0.1
T	7	+0.2
S	22.5	+/-0.4
LL	4	+2
F	0.8	+/-0.05

**Notes:**

-L,H,T are nominal dimensions and do not imply a minimum.

**General Information**

<b>Supplier:</b>	KEMET
<b>Brand:</b>	Arcotronics
<b>Miscellaneous Electrical:</b>	Not for new design.

**Specifications**

<b>Capacitance:</b>	0.47 uF
<b>Rated Temperature:</b>	110° C
<b>Voltage @ rated temp:</b>	560VDC
<b>Voltage AC:</b>	275VAC
<b>Tolerance:</b>	+/-20%
<b>Body Type:</b>	Radial Box
<b>Dielectric:</b>	Metallized Polypropylene
<b>Application:</b>	Safety: X2
<b>Temperature Range:</b>	-40/+110C
<b>Dissipation Factor @ 1 kHz:</b>	0.1%
<b>Insulation Resistance:</b>	63.83 GOhm
<b>Maximum dVdT:</b>	200v/us

**Agency Approvals**

<b>Approvals:</b>	ENEC,UL,cUL,CQC
-------------------	-----------------

**Packaging Specifications**

<b>Package Kind:</b>	Bulk
<b>Package Type:</b>	Bag
<b>Package Quantity:</b>	700