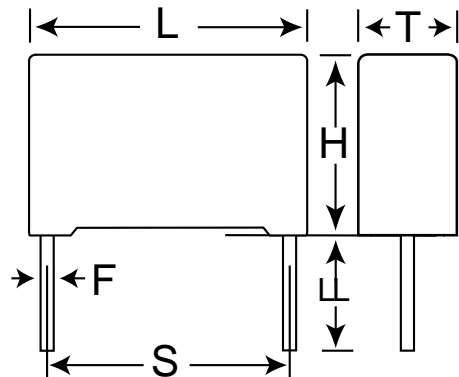


KEMET Part Number: R82EC2220DQ50J
(82EC2220DQ50J)

Capacitor, film, 0.022 uF, +/-5% Tol, -55/+105C, General Purpose, 100VDC@85° C, Lead Spacing=5 mm



Dimensions (mm)		
Symbol	Dimension	Tolerance
L	7.2	+0.2
H	6.5	+0.1
T	2.5	+0.1
S	5	+/-0.4
LL	18.5	+/-0.5
F	0.5	+/-0.05

Notes:

-L,H,T are nominal dimensions and do not imply a minimum.

General Information	
Supplier:	KEMET
Brand:	Arcotronics
Miscellaneous Electrical:	Not for new design. Use F612JF223J100R (series F612)

Specifications	
Capacitance:	0.022 uF
Rated Temperature:	85° C
Voltage @ rated temp:	100VDC
Voltage AC:	63VAC
Tolerance:	+/-5%
Body Type:	Radial Box
Dielectric:	Metallized Polyester (Stacked)
Application:	General Purpose
Temperature Range:	-55/+105C
Dissipation Factor @ 1 kHz:	0.8%
Dissipation Factor @ 10 kHz:	1.2%
Dissipation Factor @ 100kHz:	2.5%
Insulation Resistance:	15 GOhm
Inductance:	7 nH
Maximum dVdT:	200v/us
Maximum K0:	40000V^2/us

Packaging Specifications	
Package Kind:	Ammo
Package Size:	360x340x59mm
Package Type:	Box
Package Quantity:	3500