



(1,27 mm) .050"

FFSD, FFMD SERIES

FFSD-20-S-10.00-01-N



FFMD-20-T-02.00-01-N-R

# TIGER EYE™ FLAT IDC WIRE CABLES

## SPECIFICATIONS

**Mates with:**

FTS, FTSH, EHF, SHF, ESHF

For complete specifications see [www.samtec.com?FFSD](http://www.samtec.com?FFSD)

**FFSD**

**Insulator Material:** PBT



**Contact:**

BeCu

**Plating:**

10µ" (0,25 µm) Au over 50µ" (1,27 µm) Ni on contact area; Sn over 50µ" (1,27 µm) Ni on balance

**Wire:** 30 AWG

**Current Rating:**

0.5A per contact  
Operating Temp Range: -40°C to +105°C

**Lead Size Accepted:**

(0,41 mm) .016" SQ

**Contact Resistance:**

15 mΩ

**Insertion Depth:**

(2,64 mm) .104" to (3,17 mm) .125"

**Insertion Force:**

(Single contact only)  
5 oz (1,39 N) avg.

**Withdrawal Force:**

(Single contact only)  
3 oz (0,83 N) avg.

**RoHS Compliant:** Yes

**Note:** This Series is non-standard, non-returnable.

## SPECIFICATIONS

**Mates with:**

FLE\*, SFMC\*,

**Transfer End Option**

Mates with: FTS, FTSH, EHF, SHF, ESHF

For complete specifications see [www.samtec.com?FFMD](http://www.samtec.com?FFMD)

**FFMD**

**Insulator Material:** Black Glass Filled Polyester



**Terminal:** Phosphor Bronze

**Contact:** BeCu (-T)

**Plating:**

Sn over 50µ" (1,27 µm) Ni

**Wire:** 30 AWG

**Current Rating:** 0.5A/contact

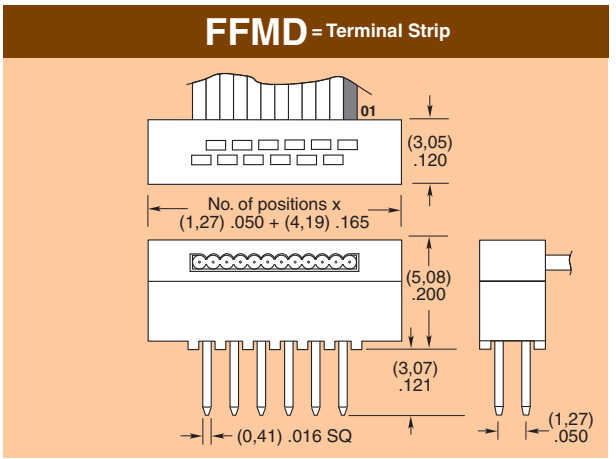
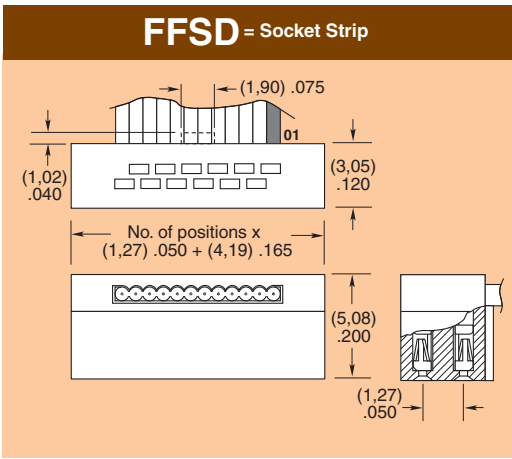
Operating Temp Range: -40°C to +105°C

**RoHS Compliant:** Yes

**\*Note:** Standard FFMD callout will not mate with FLE, SFMC. Must use gold plated callouts. (See drawing on web.)  
When mated with a socket, Wire 1 mates with Pin 2; Wire 2 mates with Pin 1, etc.

**Note:** This Series is non-standard, non-returnable.

TYPE STRIP	NO. PINS PER ROW	END OPTION	OVERALL LENGTH	01	OPTION	OTHER OPTION
	-06, -11, -12, 15 (FFSD only) -04, -05 -08, -10, -13, -17, -20, -25 (Call Samtec for other sizes)		- "XX.XX" = Assembled Length 		-N = Notch Polarization (FFSD only)	
		-S = Single End 				Leave blank for -S and -D End Options. For -T End Option Specify "-N" (Socket has notch polarization) (FFMD only)
		-D = Double End 				
		-T = Transfer End (FFMD only) 				
		-RW = Reverse Wiring 				
		-D "XX" = Daisy Chain 				
		-R = Reverse 				
		-M = Middle Reverse 				
		-O = Outside Reverse 				
		-SR = Strain Relief 				(Mates only with ESHF Series) No. of positions x (1,27) .050 + (8,00) .315 Not available with -O, -M, -R or -DXX



Due to technical progress, all designs, specifications and components are subject to change without notice.

[WWW.SAMTEC.COM](http://WWW.SAMTEC.COM)