

DECLARATION OF CONFORMITY

SILVERTRONIC Ltd. confirm that the products listed below have been Designed, Manufactured and Tested to, and therefore are fully compliant to;
IEC1010-1 1990 inc. Amendment 2-1995 &
IEC1010-2-031 First Edition-1993
and thus meet THE LOW VOLTAGE DIRECTIVE (LVD)
73/23/EEC and amending directive 93/68/EEC

PRODUCT TYPE / DESCRIPTION				OEM FLP TO OEM FIXED SHROUD PLUG LEAD KIT	
PART No.				129305OF	
IEC1010 RATING	VOLTAGE	1000	Volts	INSULATION CATEGORY	III (3)

MAXIMUM RATED CURRENT	20	Amps
POLLUTION DEGREE	2	
INSULATION CATEGORY	DOUBLE/REINFORCED	

INCLUDES FOLLOWING ASSEMBLIES / COMPONENTS SUBJECT TO INDIVIDUAL TEST.	DESCRIPTION	PART No.
	OEM FIXED LEAD PROD	125085
	OEM FIXED SHROUD PLUG	125070
	D/S SILICONE CABLE	119054

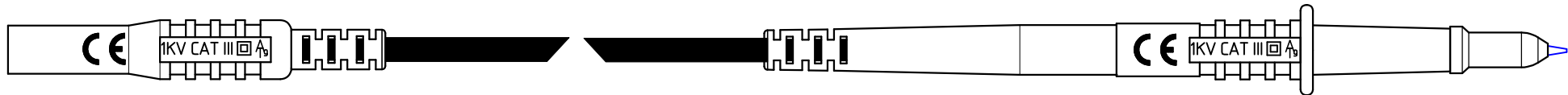
Approved Signatories: R.L.RIEDEL () J.DEVEREUX () A.WILLIAMS ()
 Signed on behalf of **SILVERTRONIC Ltd.** **DATE:** _____



All Testing carried out by Third Party Testhouse
CRANAGE EMC TESTING Ltd.
(LVD TESTING DEPARTMENT)

This drawing is not to be disclosed to a third party without the authority from the company.©

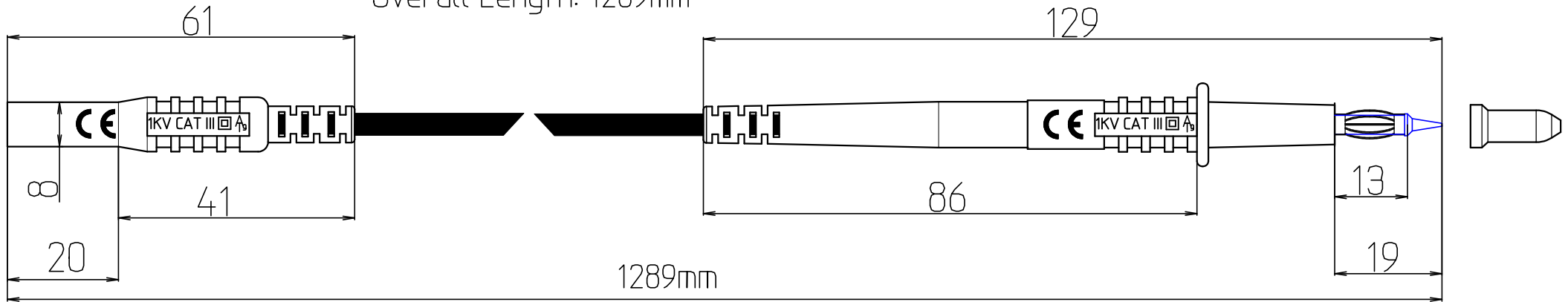
1 Pair of Leads (1 Red & 1 Black)



OEM Fixed Shroud (OF)

Double Skinned Silicone Cable
Part No: 119054
Cut Length: 1250mm
Overall Length: 1289mm

125085 OEM LANTERN FLP



CONTACT 103148



ASSEMBLY JIG NUMBERS

PACKAGING:
POLY BAG (111500)
LABEL: _____

NO PRINTING

TOLERANCES

CABLE LENGTHS +/- 5%

DO NOT SCALE.
ALL DIMENSIONS IN mm.