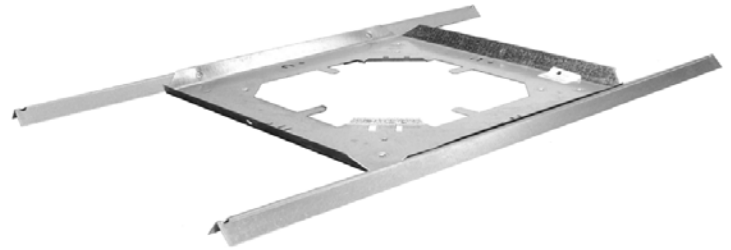
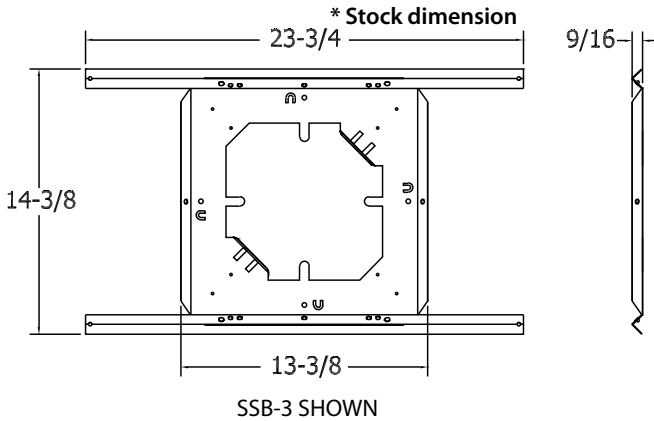




# SSB-2, SSB-3, SSB-4 SSB-6, SSB-7, SSB-9 SSC-1

## LOUDSPEAKER MOUNTING DEVICES



SSB-3 SHOWN

### GENERAL DESCRIPTION

The SSB-(2, 3, 4, 6, 7, 9) is a rust resistant steel, load bearing support for a loudspeaker assembly.

The SSC-1 is a rust resistant steel, load bearing mounting channel.

### RECOMMENDED ADDITIONAL QUAM COMPONENTS

Refer to Page 2 of this sheet for frame compatibility

\* 23-3/4" Stock dimension, lengths up to 48" available on SSB-2, 3, 4, 6, 9 and SSC-1 as a special order, contact Factory for delivery and pricing

### MECHANICAL SPECIFICATIONS

Refer to Page 2 of this sheet

### INTENDED USE

SSB- (2, 3, 4, 6, 9): Parallel to floor plane in a suspended ceiling structure; maximum span of 24" in one dimension; indoor environment.

SSB-7: Use with 8" O.D. loudspeaker, new gypsum board construction; indoor environment.

SSC-1: Gypsum board or drop tile ceiling applications; indoor environment.

### QUAM-NICHOLS COMPANY

234 East Marquette Road, Chicago IL 60637  
Phone: (800) NEED NOW Fax: (888) NEED NOW  
(800) 633-3669 (888) 633-3669  
E-Mail: NeedNow@QNC.com www.QuamSpeakers.com



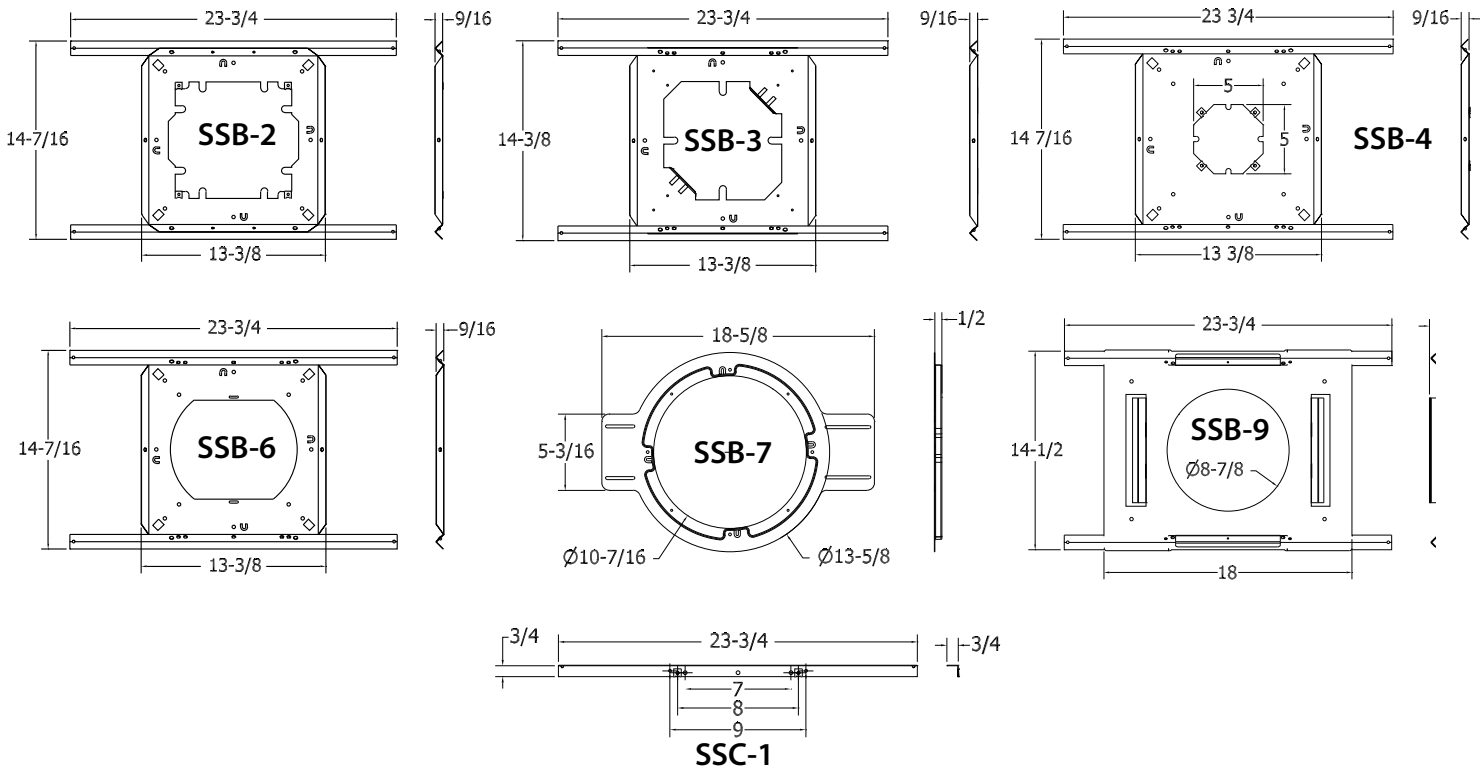


# Quam

## LOUDSPEAKER MOUNTING DEVICES

BAFFLES	SSB-2	SSB-3	SSB-4	SSB-6	SSB-7	SSB-9	SSC-1
BR4W			✓				✓
BR4WS			✓				✓
BR8-2WS				✓			
BR8VP	✓	✓			✓		
BR8W	✓	✓			✓		✓
BR8WS	✓	✓			✓		✓
BS8VP	✓	✓					
BS8W	✓	✓					
BS8WS	✓	✓					
QMount®					✓		

NOTE: With the exception of QMount (SSB-9) all other SSB assemblies can use ERD-8 or ER8DU back boxes



### QUAM-NICHOLS COMPANY

234 East Marquette Road, Chicago IL 60637  
 Phone: (800) NEED NOW Fax: (888) NEED NOW  
 (800) 633-3669 (888) 633-3669  
 E-Mail: NeedNow@QNC.com www.QuamSpeakers.com

