

IEC Appliance Inlet C14 with Line Switch 2-pole, Fuseholder 1- or 2-pole

Standard or Medical Fuse drawer



C14



70° C



### Description

- Panel Mount:
  - Screw-on version from front or rear side
- 3 Functions:
  - Appliance Inlet Protection class I, Line Switch 2-pole, Fuseholder for fuse-links 5 x 20 mm 1- or 2-pole
- Quick connect terminals 4.8 x 0.8 mm

### Approvals

- VDE Certificate Number: 40018283
- UL File Number: E93617

### Characteristics

- Ultra-compact design. Ideal for low profile designs
- All single elements are already wired
- Fuse drawer meets requirements of medical standard IEC/EN 60601-1
  - The fuseholder is accessible from the equipment front
  - For added safety "Extra-Safe" fuse drawers are available
- Ideal for application with high transient loads
  - Designed for standard and medical applications
- Suitable for use in equipment according to IEC 60950

### Other versions on request

- Solder terminals
- Fuse drawer 1-pole, plus spare fuse case
- Fuse drawer 2-pole, with shorting bar
- Other rocker marking
- Line switch 1-pole
- Protection class II, 70°C

### References

- Alternative: version with line filter [DD12](#)
- Alternative: version for snap-in mounting [KM](#)
- Alternative: version for PCB mounting [DD21](#)

### Weblinks

[pdf-datasheet](#), [html-datasheet](#), [General Product Information](#), [Approvals](#), [CE declaration of conformity](#), [RoHS](#), [CHINA-RoHS](#), [Mating Connectors](#), [e-Shop](#), [SCHURTER-Stock-Check](#), [Distributor-Stock-Check](#), [CAD-Drawings](#), [Accessories](#), [Wire Harnessing](#), [Mounting instruction](#), [Detailed request for product](#)

### Technical Data

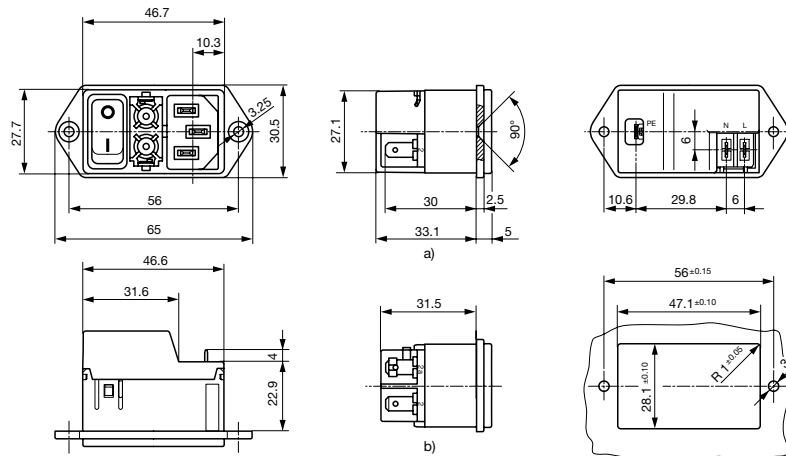
Ratings IEC	10 A / 250 VAC; 50 Hz
Ratings UL/CSA	8 A / 250 VAC; 60 Hz <sup>1)</sup>
Dielectric Strength	> 2.5 kVAC between L-N > 3 kVAC between L/N-PE (1 min/50 Hz)
Allowable Operation Temp.	-25 °C to 85 °C
Degree of Protection	from front side IP 40 acc. to IEC 60529
Protection Class	Suitable for appliances with protection class I acc. to IEC 61140
Terminal	Quick connect terminals 4.8 x 0.8 mm
Panel Thickness s	Screw-on mounting: max 8 mm Mounting screw torque max 0.5 Nm Rear side mounting: max 2 mm
Material: Housing	Thermoplastic, black, UL 94V-0

Appliance Inlet	C14 acc. to IEC 60320 UL 498, CSA C22.2 no. 42 (for cold conditions) pin-temperature 70 °C, 10 A, Protection Class I
Fuseholder	1 or 2 pole, Shocksafe category PC2 acc. to IEC 60127-6, for fuse-links 5 x 20 mm
Rated Power Acceptance @ Ta 23 °C	5 x 20: 2 W (1 pole)/ 1.6 W (2-pole) per pole
Power Acceptance @ Ta > 23°C	Admissible power acceptance at higher ambient temperature see derating curves
Line Switch	Rocker switch 2-pole, non-illuminated or illuminated, acc. to IEC 61058-1 <a href="#">Technical Details</a>

1) with cover 7 A, without cover 8 A

## Dimensions

Screw version



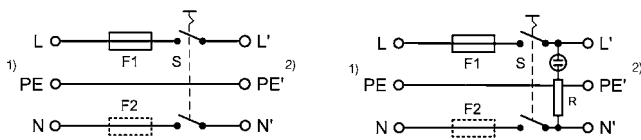
a) view with cover

b) view without cover

## Diagrams

non illuminated

illuminated

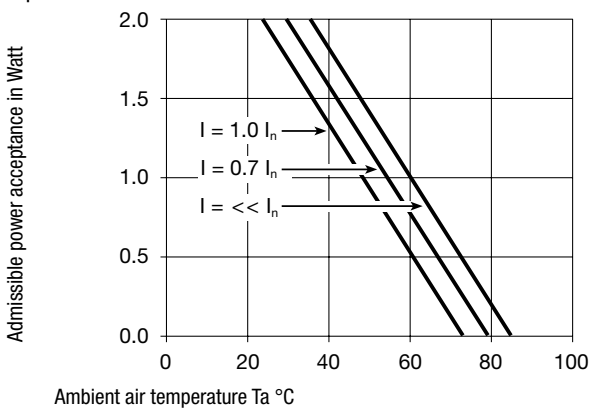


1) Line  
2) Load

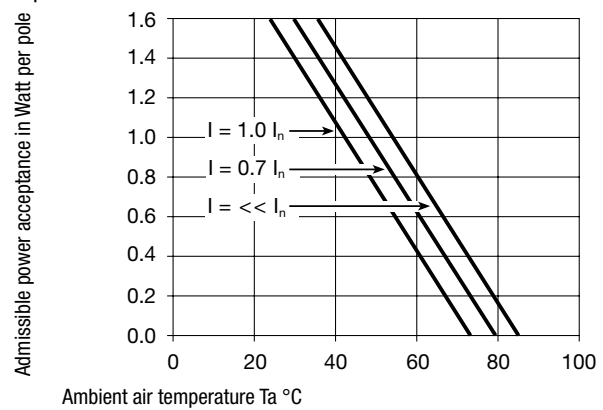
1) Line  
2) Load

## Derating Curves

1-pole



2-pole



**Variants**

Fuse drawer must be ordered separately (see accessories).  
 Fingergrip and Extra Safe. The same drawer as used by type KEA.

Fuseholder	Line Switch	Illumination	Color	Cover <sup>1)</sup>	Order Number
1-pole	2-pole	non-illuminated	-		DD11.0111.1110
1-pole	2-pole	illuminated	red		DD11.0113.1110
1-pole	2-pole	illuminated	green		DD11.0114.1110
2-pole	2-pole	non-illuminated	-		DD11.0121.1110
2-pole	2-pole	illuminated	red		DD11.0123.1110
2-pole	2-pole	illuminated	green		DD11.0124.1110
1-pole	2-pole	non-illuminated	-	●	DD11.0111.1111
1-pole	2-pole	illuminated	red	●	DD11.0113.1111
1-pole	2-pole	illuminated	green	●	DD11.0114.1111
2-pole	2-pole	non-illuminated	-	●	DD11.0121.1111
2-pole	2-pole	illuminated	red	●	DD11.0123.1111
2-pole	2-pole	illuminated	green	●	DD11.0124.1111

<sup>1)</sup> current rating UL: with cover 7 A, without cover 8 A

**Packaging unit** 50 Pcs

**Required Accessory**

**Description**



**Fusedrawer 2**  
 Fusedrawer with and without Voltage Selector Insert

**Accessories**



**Wire Harness**  
 Wire harness for SCHURTER products



**Cord retaining kits**  
 Cord retaining strain relief

## Mating Outlets/Connectors

### Category / Description



#### Appliance Outlet Overview complete

IEC Appliance Outlet F, Screw-on Mounting, Front Side, Solder Terminal	4787
IEC Appliance Outlet F, Snap-in Mounting, Front Side, Solder or Quick-connect Terminal	4788
IEC Appliance Outlet F or H, Screw-on Mounting, Front Side, Solder, PCB or Quick-connect Terminal	5091
IEC Appliance Outlet F or H, Screw-on Mounting, Front Side, Solder or Quick-connect Terminal	5092

[Appliance Outlet further types to DD11](#)

#### Connector Overview complete



IEC Connector C15, Rewireable, Straight	0101
IEC Connector C15A, Rewireable, Straight	0102
IEC Connector C15A, Rewireable, Straight	0102-G
IEC Connector C15A, Rewireable, Angled	0112
IEC Connector C13, Rewireable, Angled	4012

[Connector further types to DD11](#)

#### Power Cord Overview complete



Power Cord with IEC Connector C13, Angled	0311
Power Cord with IEC Connector C13, Angled	3011
Power Cord with IEC Connector C13, Angled	3012
Power Cord with IEC Connector C13, Angled	3013
Power Cord with IEC Connector C13	3020

[Power Cord further types to DD11](#)