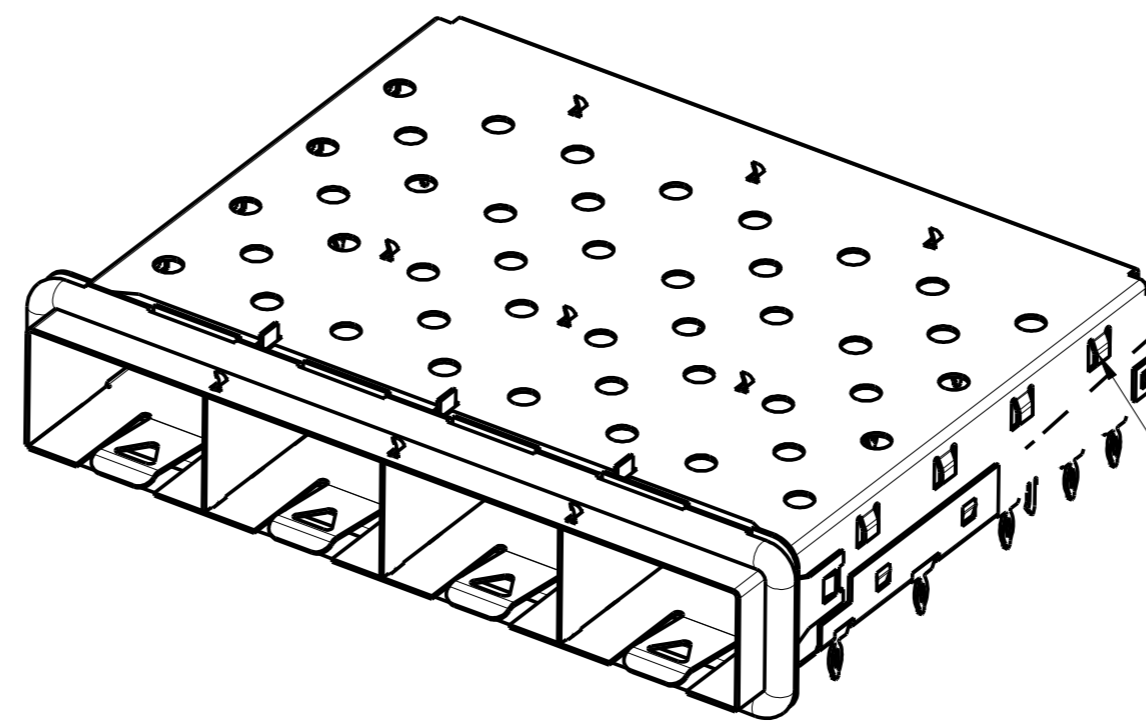
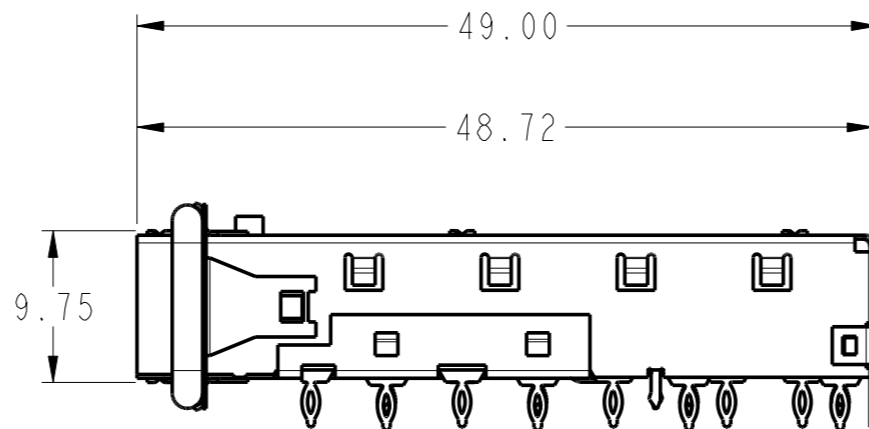
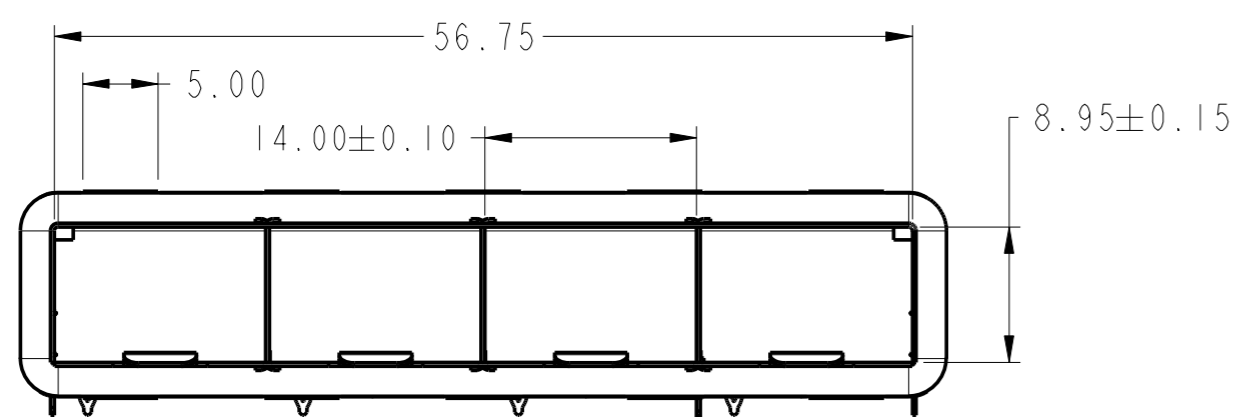
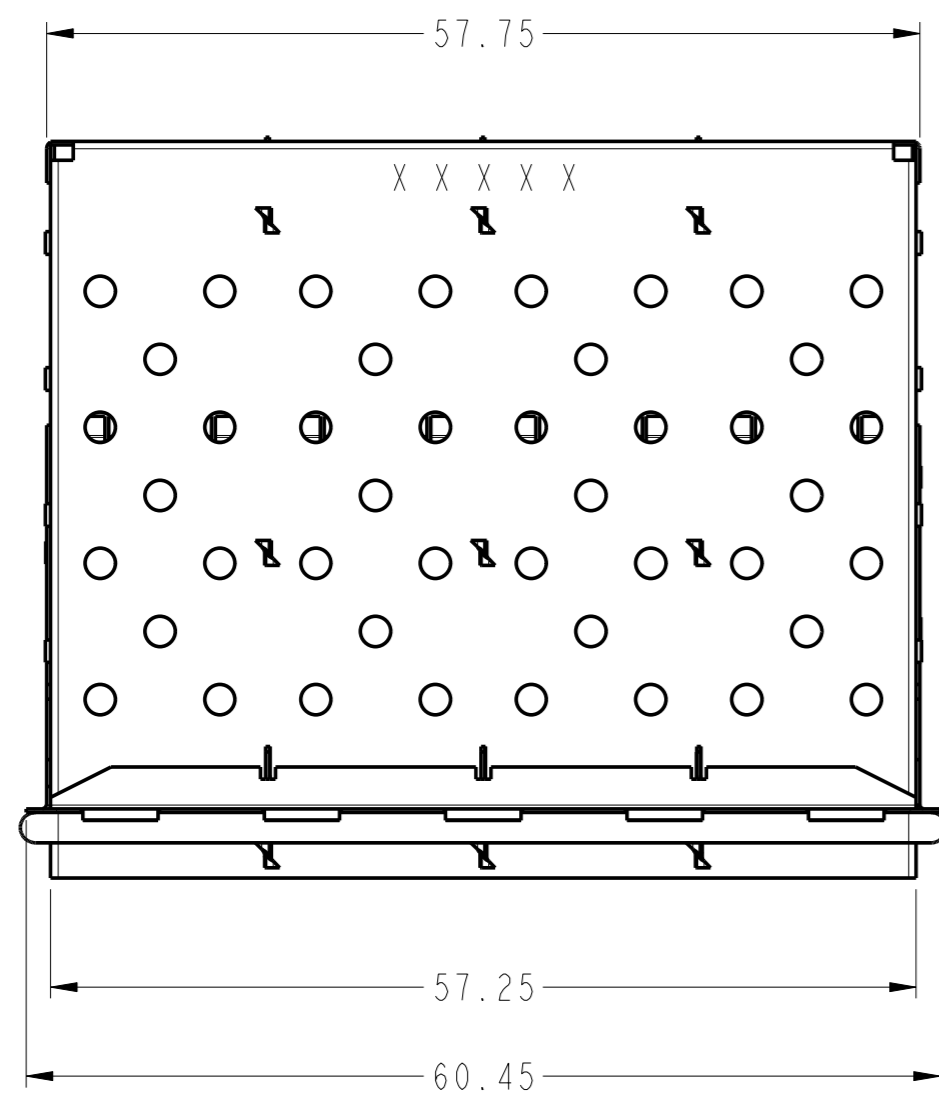
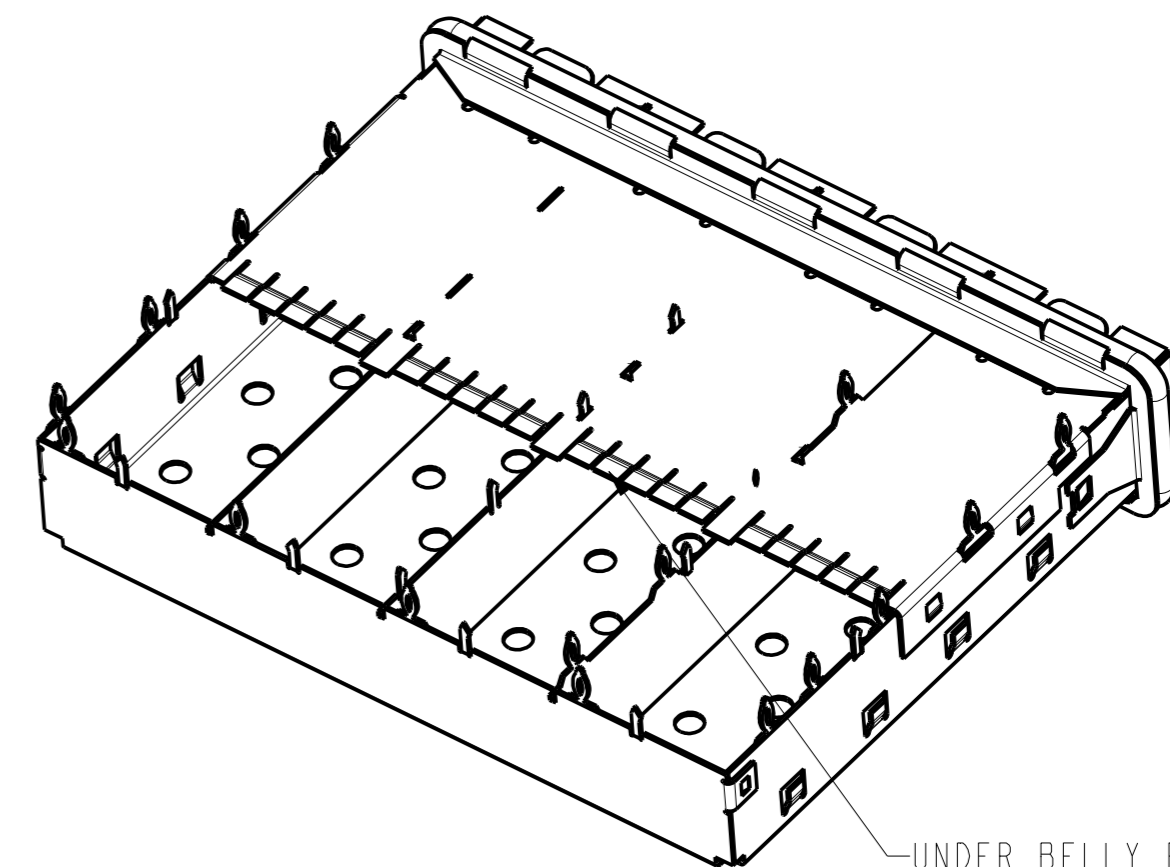


PRODUCT NUMBER	PACKAGING
10099104-011LF	TRAY

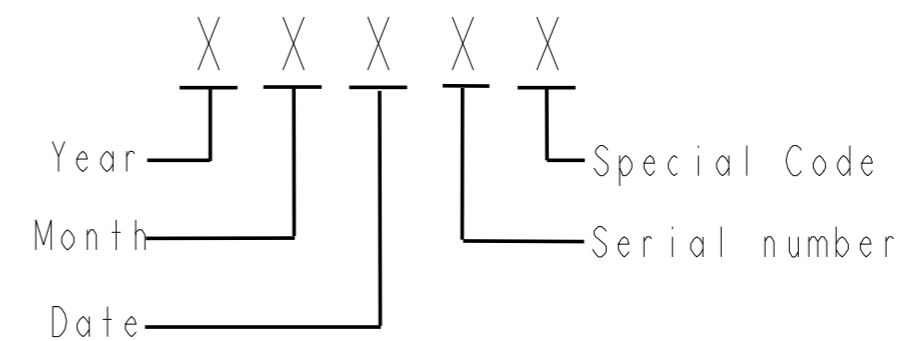


SFP PLUS 1X4 CAGE ASSEMBLY



NOTES:

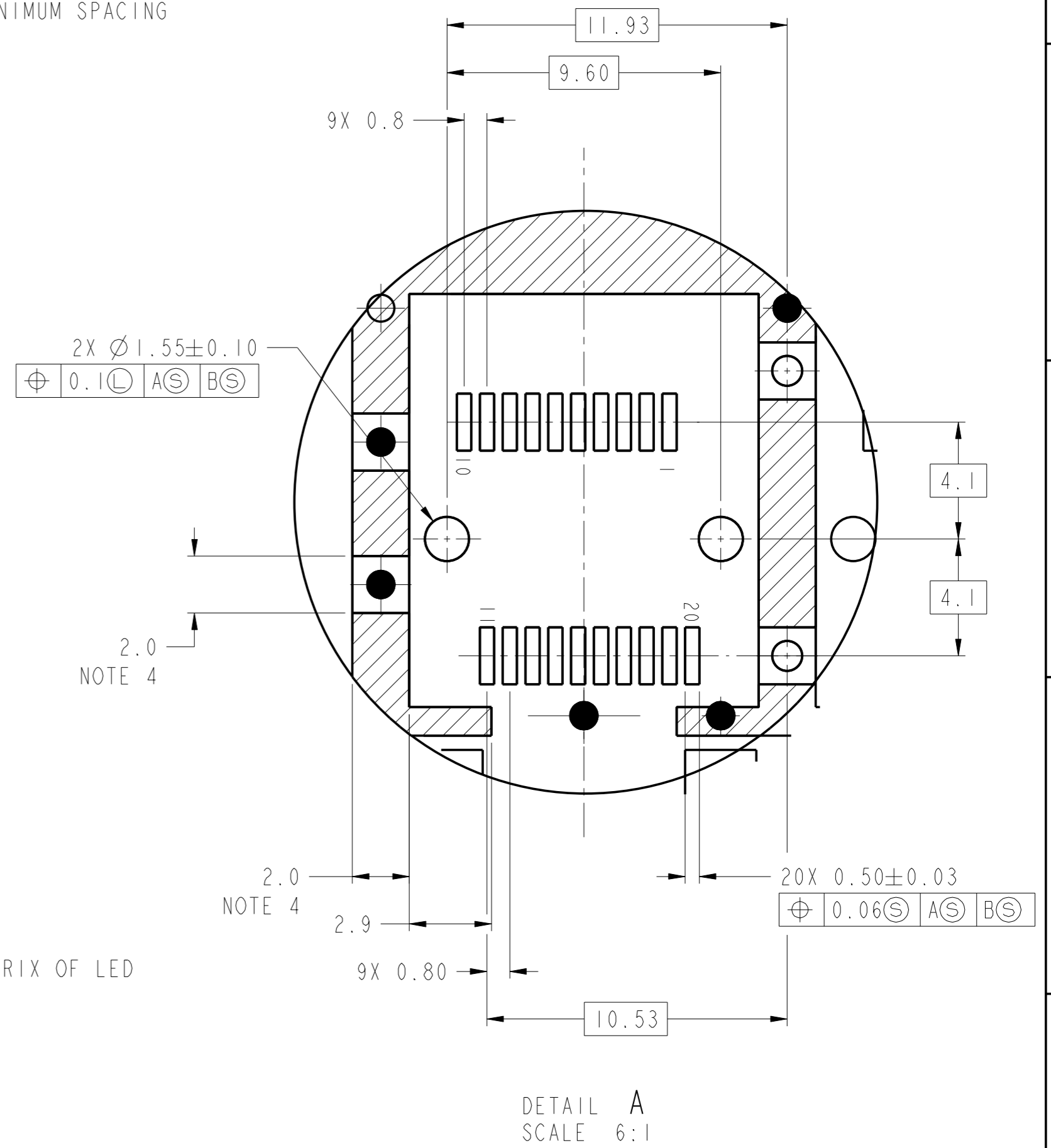
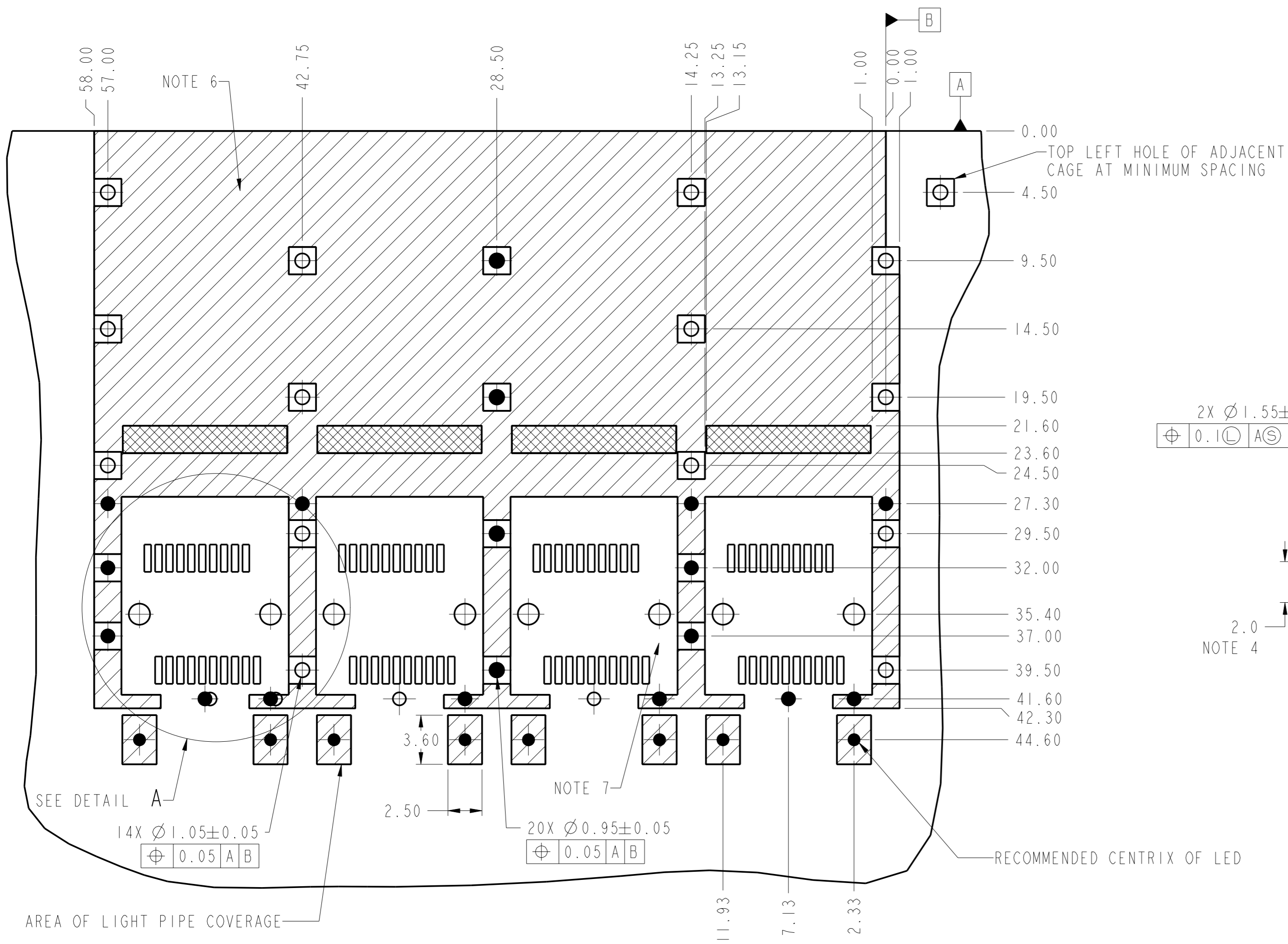
- MATERIAL: CAGE BODY: COPPER ALLOY.  
EMI GASKET: CONDUCTIVE ELASTOMER.  
GASKET BRACKET: STAINLESS STEEL.
- PLATING: CAGE BODY: 50 μ"MIN NICKEL PLATING OVER ALL.  
GASKET BRACKET: NONE.
- OPTIONAL LIGHT PIPE COVER ASSEMBLY AVAILABLE.
- PADS AND VIAS ARE CHASSIS GROUND.
- SPACING BETWEEN PORTS TO BE 14.25.
- HATCHED AREA DENOTES COMPONENT AND TRACE KEEP-OUT (EXCEPT CHASSIS GROUND).
- THIS AREA DENOTES COMPONENT KEEP-OUT (TRACES ALLOWED).
- PRODUCT SPECIFICATION: GS-12-616.
- APPLICATION SPECIFICATION: GS-20-125
- PRODUCT MEETS EUROPEAN UNION DIRECTIVES AND OTHER COUNTRY REGULATIONS AS DESCRIBED IN GS-22-008.
- DATE CODE BE PRINTED ON PROPER SURFACE.
- THE CAGE CAN BE ASSEMBLED WITH LIGHT PIPE KIT.
- LIGHT PIPE REFER TO DRAWING NUMBER 10099108 FOR DIMENSIONAL INFORMATION.



www.fciconnect.com		surface - ✓ ASME Y14.5	tolerance std ASME Y14.5	projection ⊕	MM Scale 2:1
		TOLERANCES UNLESS OTHERWISE SPECIFIED			
Dr	P. S. KUMAR	2009-05-09	ANGULAR	0.X	±0.25
Eng	M. GRAY	2009-05-29	LINEAR	0.XX	±0.15
Chr	M. GRAY	2009-05-29	0° ±1°	0.XXX	±
Appr	M. GRAY	2009-05-29	Product family	SFP+	ECN N10-0376
				Spec ref	RELEASE
FCI		SFP+ 1X4 CAGE WITH LIGHT PIPE HOOKS		dwg no	10099104
		ELASTOMER TYPE		Rev.	C
		catalog no		CUSTOMER	STATUS: Released

I 2 3 4 5 6 7 8

A B C D E



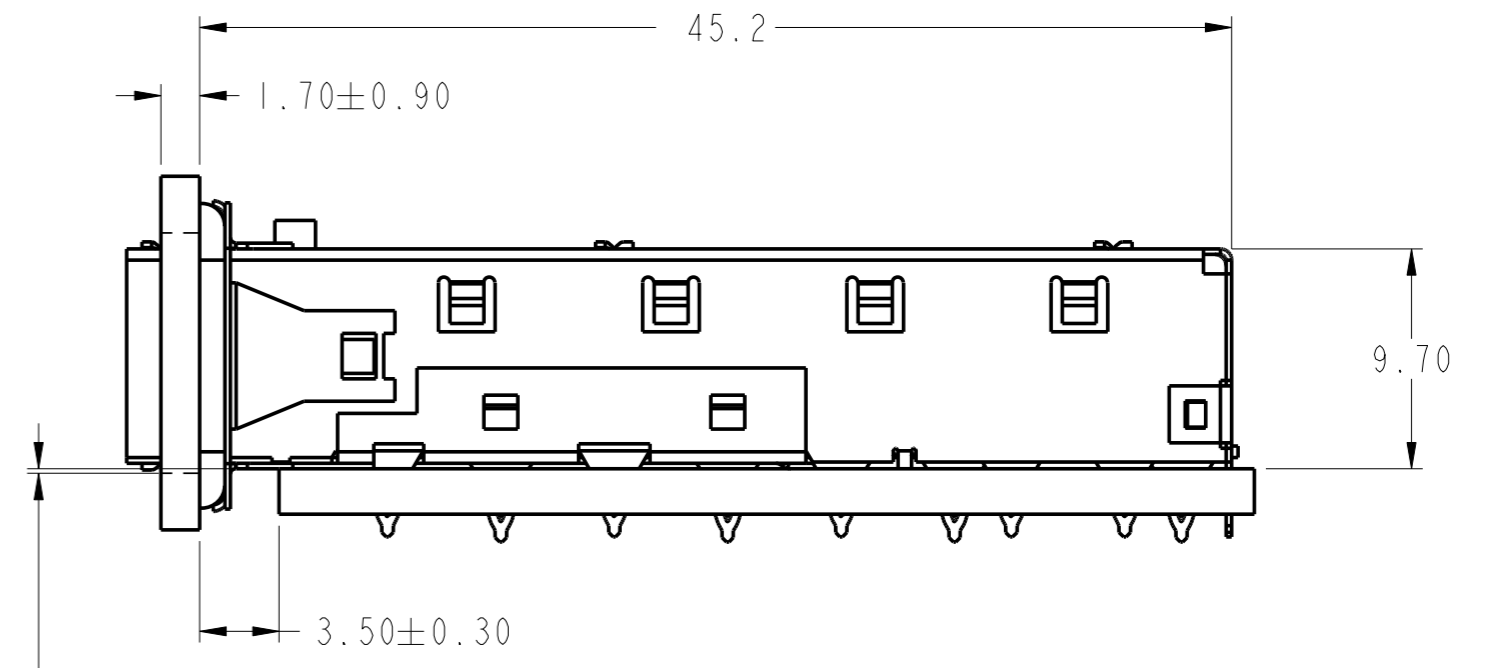
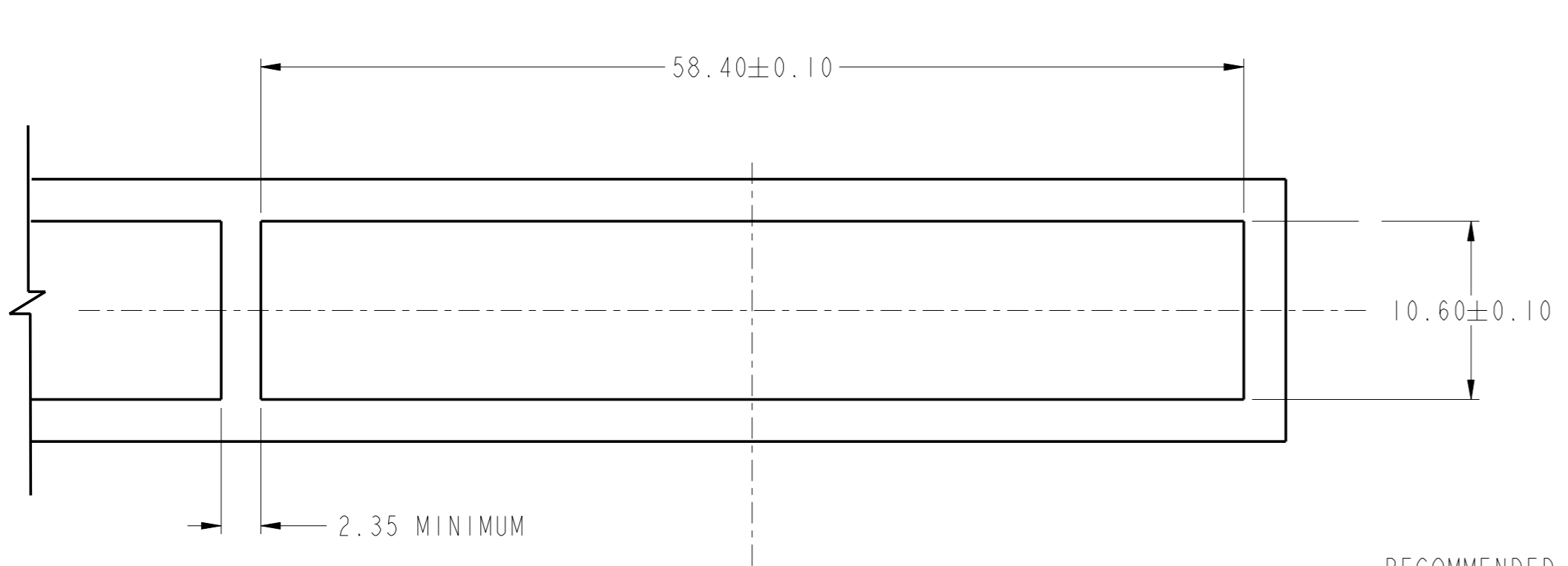
SFP HOST BOARD MECHANICAL LAYOUT

Copyright FCI.

www.fciconnect.com		surface - <input checked="" type="checkbox"/> ASME Y14.5	tolerance std - <input checked="" type="checkbox"/> ASME Y14.5	projection	MM
TOLERANCES UNLESS OTHERWISE SPECIFIED					
Dr	P. S. KUMAR	2009-05-09	ANGULAR	0.X	$\pm 0.25$
Eng	M. GRAY	2009-05-29	LINEAR	0.XX	$\pm 0.15$
Chr	M. GRAY	2009-05-29	$0^\circ \pm 1^\circ$	0.XXX	$\pm$
Appr	M. GRAY	2009-05-29	Product family	SFP+	Spec ref RELEASE
FCI		TITLE SFP+ 1X4 CAGE WITH LIGHT PIPE HOOKS		dwg no	10099104
		ELASTOMER TYPE		CUSTOMER	Rev. C
		catalog no		STATUS: Released	sheet 2 of 3

1 2 3 4 5 6 7 8

A  
B  
C  
D  
E  
F



0.19  
RECOMMENDED SPACE FROM  
TOP OF PCB TO BOTTOM  
OF BEZEL OPENNING.

BEZEL AND BOARD DIMENSIONS FOR SINGLE SIDE MOUNTING

Copyright FCI.

www.fciconnect.com		surface ASME Y14.5	-	tolerance std ASME Y14.5	-	projection	MM
		TOLERANCES UNLESS OTHERWISE SPECIFIED					
Dr	P. S. KUMAR	2009-05-09	ANGULAR	0.X	±0.25	size	A2
Eng	M. GRAY	2009-05-29	LINEAR	0.XX	±0.15	Scale	2:1
Chr	M. GRAY	2009-05-29	0° ±1°	0.XXX	±-	ECN	N10-0376
Appr	M. GRAY	2009-05-29	Product family	SFP+		Spec ref	RELEASE
	SFP+ 1X4 CAGE WITH LIGHT PIPE HOOKS		ELASTOMER TYPE		dwg no	10099104	
REV F - 2006-04-17		PDM-Rev-G		CUSTOMER		sheet 3 of 3	
		STATUS: Released		Printed: Mar 22, 2011			