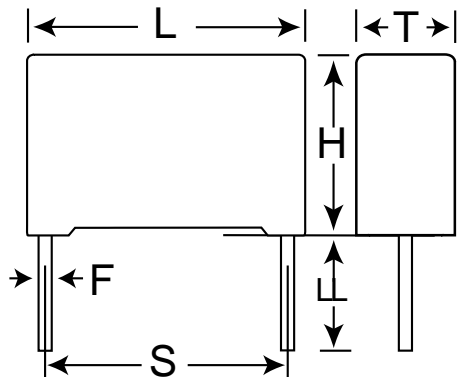


KEMET Part Number: R463N347000M1K
(463N347000M1K)

Capacitor, film, 0.47 uF, +/-10% Tol, -40/+110C, Safety: X2, 300VAC, Lead Spacing=22.5 mm



Dimensions (mm)		
Symbol	Dimension	Tolerance
L	26.5	+0.3
H	17	+0.1
T	8.5	+0.2
S	22.5	+/-0.4
LL	4	+2
F	0.8	+/-0.05

Notes:

-L,H,T are nominal dimensions and do not imply a minimum.

General Information

Supplier:	KEMET
Brand:	Arcotronics
Miscellaneous Electrical:	Not for new design.

Specifications

Capacitance:	0.47 uF
Rated Temperature:	110° C
Voltage @ rated temp:	630VDC
Voltage AC:	300VAC
Tolerance:	+/-10%
Body Type:	Radial Box
Dielectric:	Metallized Polypropylene
Application:	Safety: X2
Temperature Range:	-40/+110C
Dissipation Factor @ 1 kHz:	0.1%
Insulation Resistance:	63.83 GOhm
Maximum dVdT:	200v/us

Agency Approvals

Approvals:	ENEC,UL,cUL,CQC
-------------------	-----------------

Packaging Specifications

Package Kind:	Bulk
Package Type:	Bag
Package Quantity:	468