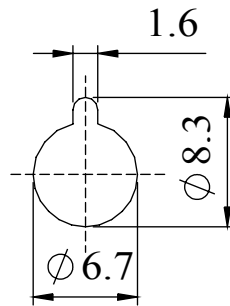
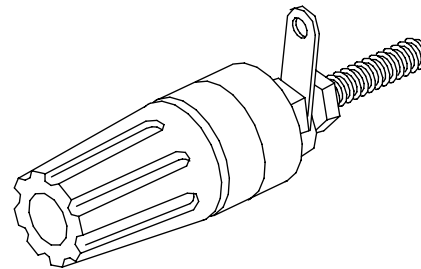
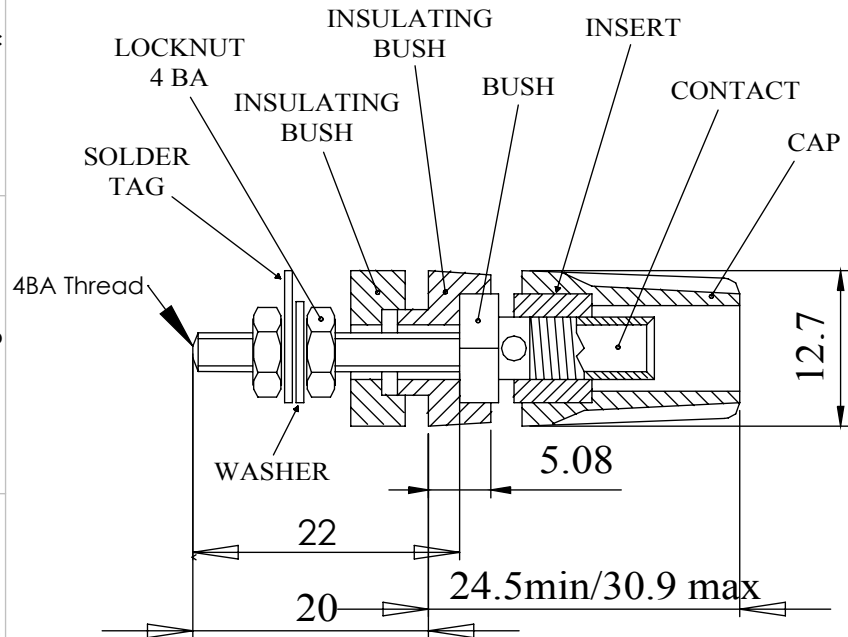


Insulated terminal binding post with a 4mm socket. Panel insulating bushes have a location keyway, maximum panel thickness 12,7mm. Threaded termination supplied with solder tag washer. Thread size 4BA (3.6mm or 0.141 inch)

## Dimensions



PANEL CUT-OUT

## MATERIAL

CAP : Acetal  
 CONTACT : Brass, bright nickel plate  
 INSERT : Brass, bright nickel plate  
 BUSH : Brass, bright nickel plate  
 INSULATING BUSHES : Acetal  
 LOCKNUT : Brass, bright nickel plate  
 WASHER : Brass, bright nickel plate

SOLDER TAG : Brass, silver plate

Current Rating : 16 Amps  
 Rated Voltage : 50V

COLOUR	ORDER CODE
BLACK	552-0100
BLUE	552-0200
BROWN	552-0300
GREEN	552-0400
RED	552-0500
WHITE	552-0600
YELLOW	552-0700

Tel No. +44(0)1724 273200 Website www.dem-uk.com



PROPRIETARY AND CONFIDENTIAL  
 THE INFORMATION CONTAINED IN THIS DRAWING IS THE SOLE PROPERTY OF ALPHA 3 MANUFACTURING.  
 ANY REPRODUCTION IN PART OR AS A WHOLE WITHOUT THE WRITTEN PERMISSION OF ALPHA 3 MANUFACTURING IS PROHIBITED.



UNLESS OTHERWISE SPECIFIED:  
 DIMENSIONS ARE IN MILLIMETRES  
 LINEAR TOLERANCE:  
 NO DECIMAL PLACES  $\pm 0.5\text{mm}$   
 1 DECIMAL PLACE  $\pm 0.25\text{mm}$   
 2 DECIMAL PLACES  $\pm 0.125\text{mm}$   
 ANGULAR TOLERANCE:  $\pm 1^\circ$

FINISH	INSULATED TERMINAL	DEBURR AND BREAK SHARP EDGES
IF IN DOUBT ASK DO NOT SCALE DRAWING		
MATERIAL	SEE NOTE	

DRAWN BY	SPB
APPROVED BY	WC
THIRD ANGLE PROJECTION	SHEET 1 OF 1
	SCALE 1:1
	A4

TITLE	GENERAL SPECIFICATION FOR 552 SERIES	
DRAWING NO.	552 SERIES	ISSUE <b>07</b>
		Release