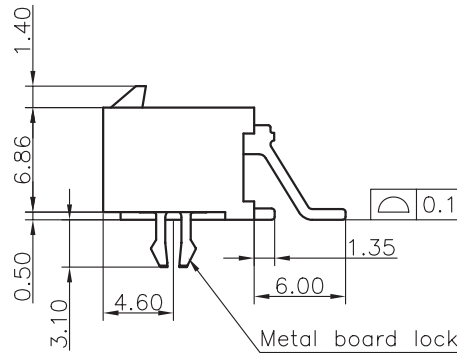


PCB LAYOUT - COMPONENT VIEW



TECHNICAL CHARACTERISTICS

MATERIAL
 INSULATOR: LCP
 FLAMABILITY RATING: UL94-V0
 COLOR: BLACK
 CONTACT MATERIAL: COPPER ALLOY
 CONTACT TYPE: STAMPED
 CONTACT PLATING: TIN
 QUALITY CLASS: 25 MATING CYCLES
 PITCH: 3.00MM

ENVIRONMENTAL
 OPERATING TEMPERATURE: -40 UP TO 105°C
 COMPLIANCE: LEAD FREE AND ROHS

ELECTRICAL
 CURRENT RATING: 5A
 WORKING VOLTAGE: 250V AC
 INSULATOR RESISTANCE: >1000 MOHM
 DIELECTRIC WITHSTANDING VOLTAGE: 1500V AC/MN
 CONTACT RESISTANCE: 10 mOHM MAX

STANDARD
 CERTIFIED: E323964

SOLDERING
 REFLOW PROCESS ONLY

PACKAGING
 TRAY

DIMENSION
 A = 3.00 x (NB. PIN / 2 - 1)
 B = 3.00 x (NB. PIN / 2 + 1) + 0.70

RoHS Compliant

G			
F	29-JUL-13	DWG & CARAC	QL
E	06-JUL-12	PLASTIC	GG
D	18-NOV-09	STANDARD	JP
C	27-JUL-09	REAR PIN	JP
B	23-AVR-09	PACKAGING	JC
A	04-OCT-04	PDF DRAW	
REV	DATE	FILE	BY

PROJECTION:	
APPROVAL: RJ	

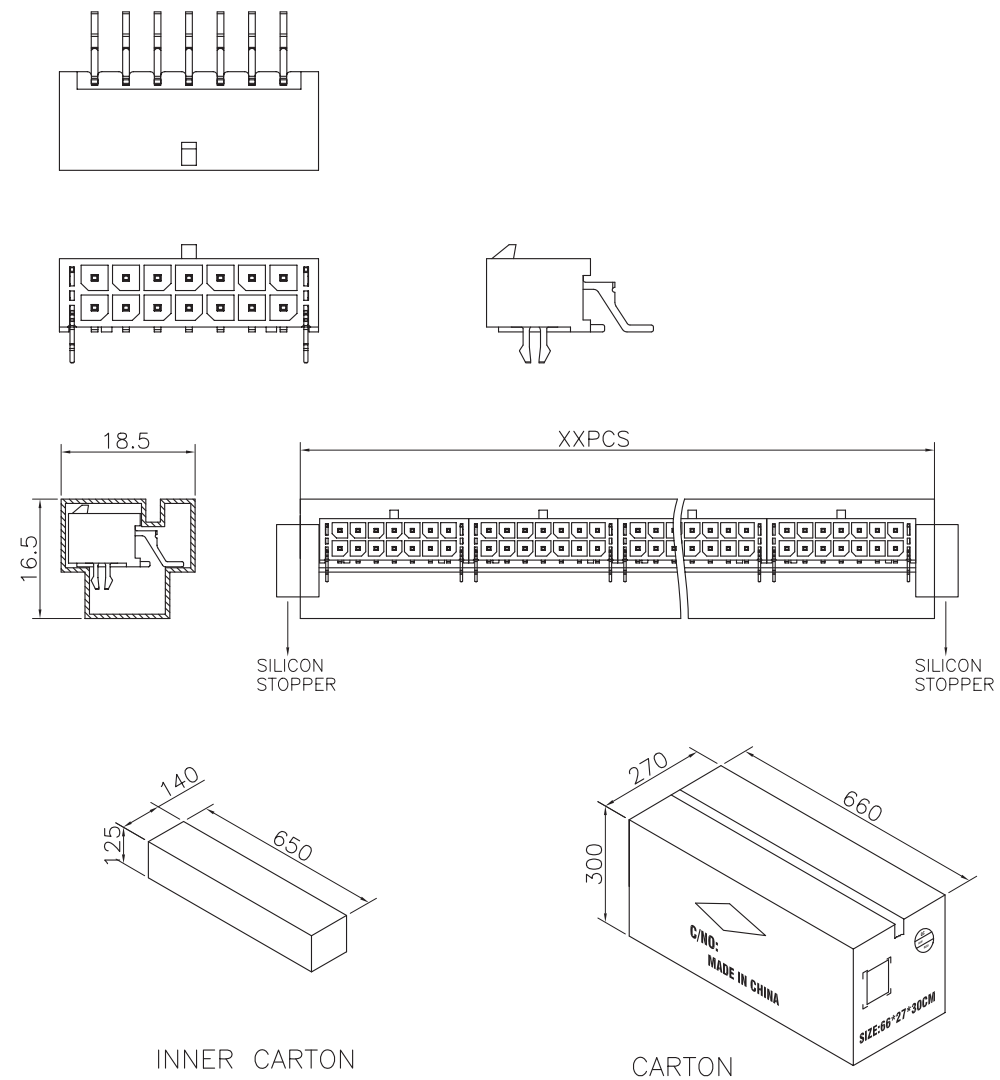
GENERAL TOLERANCE
.X = +/- 0.2
.XX = +/- 0.15
UNIT: MM
SCALE:
SHEET: 1/2
DRAW: JACK

DESCRIPTION: 3.00MM MALE DUAL ROW SMT RIGHT ANGLE HEADER WITH THROUGH HOLE RETENTION METAL CLIP	
WERI PART NO: 662 0xx 230 822	

SIZE
A4

Note:
 1,Dimension
 Tube Size: L=635mm
 Inner Carton Size:650(L)X140(W)X125(H) (mm)
 Carton Size:660(L)X270(W)X300(H) (mm)
 2,Quantity:
 42 Tube/Inner Carton
 4 Inner Carton/Carton

Pin.	Pcs/Tube	Pcs/Inner carton	Pcs/Carton
2	91	3822	15288
4	63	2646	10584
6	48	2016	8064
8	39	1638	6552
10	32	1344	5376
12	28	1176	4704
14	24	1008	4032
16	22	924	3696
18	20	840	3360
20	18	756	3024
22	16	672	2688
24	15	630	2520



RoHS Compliant				PROJECTION: 	GENERAL TOLERANCE .X = +/- 0.2 .XX = +/- 0.15		DESCRIPTION: 3.00MM MALE DUAL ROW SMT RIGHT ANGLE HEADER WITH THROUGH HOLE RETENTION METAL CLIP WERI PART NO: 6620 xx 230822_TPK	SIZE A4
G								
F								
E								
D								
C				APPROVAL: RJ	UNIT: MM			
B					SCALE:			
A					SHEET: 2/2			
REV	DATE	FILE	BY		DRAW: PEARL			