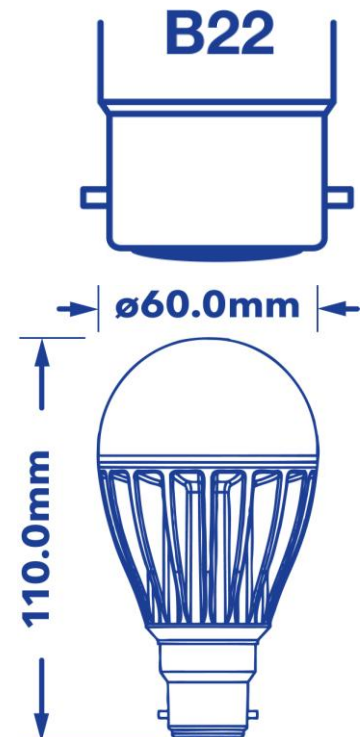
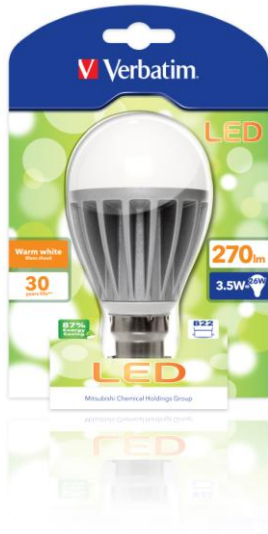


- Replacement for a 26W incandescent bulb
- Up to 87% energy saving
- Lifetime of 30,000 hrs
- An energy efficient LED solution for general lighting.



Order Code	52127
General Data	
Lamp Socket	B22
Design	Frosted
Geometric Data	
Length (mm)	110
Diameter (mm)	60
Weight (g)	155
Electric Data	
Wattage (W)	3.5
Wattage Equivalent (W)	26
Voltage (V)	220-240
Power Factor	≥ 0.40
Operating Frequency (Hz)	50-60
Photometric Data	
Luminous Flux (lm)	270
CRI	≥ 80
CCT (K)	3000
Luminous Intensity (cd)	60
Beam Angle (°)	130
Lifespan	
Lifetime (hrs)	30,000
Switching Cycle	20,000
Dimmability	
	No
Energy Efficiency Class	
	A+





Order Code 52127
Product Description LED Classic A B22 3.5W 3000K WW 270 LM 130DEG

Technical Packaging Details

Barcode	023942521273
EAN 128	(02)00023942521273(37)04(91)204
EAN 14	50023942521278
Pack Dimensions (HxWxL)	178mm x 118mm x 61mm
Pack Weight	TBC
Carton Qty (Shipping Unit)	4
Carton Dimensions (HxWxL)	195 mm x 144 mm x 253 mm
Cartons/Pallet	80
Layers/Pallet	4
Units/Pallet	320

Photometric Diagram

52127

