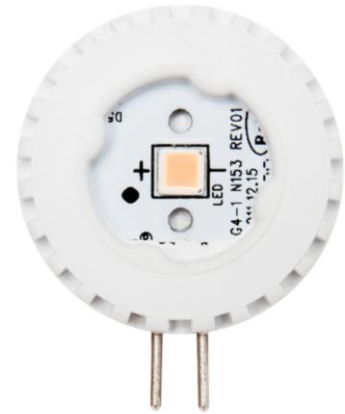
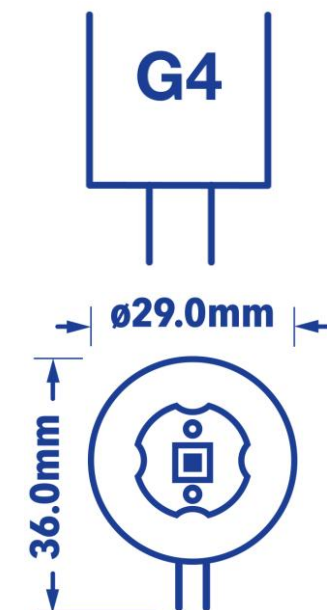


- Replacement for up to 10W halogen bulbs
- Up to 86% energy saving
- Lifetime of 40,000 hrs
- Suitable replacement for bi-pin lamps used for accent lighting, vanity and cabinet lighting.



| | |
|--------------------------------|------------|
| Order Code | 52145 |
| General Data | |
| Lamp Socket | G4 Bi Pin |
| Design | Flat Round |
| Geometric Data | |
| Length (mm) | 36 |
| Diameter (mm) | 29 |
| Weight (g) | 6 |
| Electric Data | |
| Wattage (W) | 1.5 |
| Wattage Equivalent (W) | 10W |
| Voltage (V) | 12V DC/AC |
| Power Factor | - |
| Operating Frequency (Hz) | 50-60 |
| Photometric Data | |
| Luminous Flux (lm) | 85 |
| Luminous Flux 90° cone (lm) | n/a |
| CRI | ≥ 80 |
| CCT (K) | 2700 |
| Luminous Intensity (cd) | 25 |
| Beam Angle (°) | 110 |
| Lifespan | |
| Lifetime (hrs) | 40,000 |
| Switching Cycle | 50,000 |
| Dimmability | |
| | No |
| Energy Efficiency Class | |
| | A+ |





| | |
|----------------------------|--|
| Order Code | 52145 |
| Product Description | LED BI PIN G4 Round 1.5W 12V AC/DC 2700K WW 85LM |

Technical Packaging Details

| | |
|----------------------------|--------------------------------|
| Barcode | 023942521457 |
| EAN 128 | (02)00023942521457(37)10(91)09 |
| EAN 14 | 50023942521452 |
| Pack Dimensions (HxWxL) | 135 x 10 x 90 |
| Pack Weight (g) | 17 |
| Carton Qty (Shipping Unit) | 10 |
| Carton Dimensions (HxWxL) | 150 x 103 x 103 |
| Cartons/Pallet | 420 |
| Layers/Pallet | 6 |
| Units/Pallet | 4200 |

Photometric Diagram

52145

| | | |
|-----|--------------|---|
| 0.1 | 0.32 0.37 | E(0°) 2681 E(C90) 58.1° 198 E(C0) 61.5° 146 |
| 0.2 | 0.64 0.74 | E(0°) 670 E(C90) 58.1° 49 E(C0) 61.5° 36 |
| 0.3 | 0.96 1.11 | E(0°) 298 E(C90) 58.1° 22 E(C0) 61.5° 16 |
| 0.4 | 1.29 1.47 | E(0°) 168 E(C90) 58.1° 12 E(C0) 61.5° 9 |
| 0.5 | 1.61 1.84 | E(0°) 107 E(C90) 58.1° 8 E(C0) 61.5° 6 |
| 0.6 | 1.93 2.21 | E(0°) 74 E(C90) 58.1° 5 E(C0) 61.5° 4 |

Distance [m] Cone Diameter [m] Illuminance [lx]

— C0 - C180 (Half-value Angle: 123.0°)
— C90 - C270 (Half-value Angle: 116.2°)

