

# MCUSD18A40S09RS-30C



## Applications:

This specification covers the water proof type ultrasonic ceramic transducer which are used for ultrasonic ranging and parking sensor of automobile.

## Features:

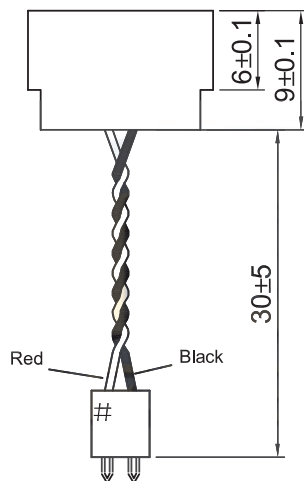
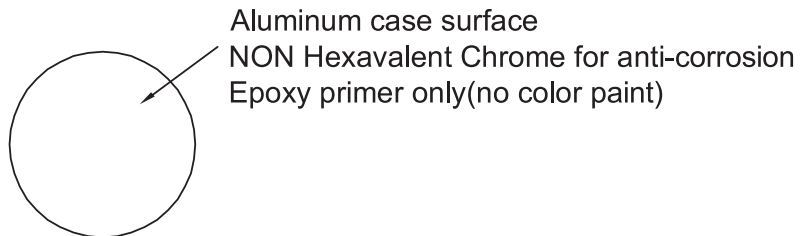
- Water proof and dual use
- Compact and light weight
- High sensitivity and sound pressure
- Less power consumption
- High reliability

## Technical Terms:

No	Item	Specification
1	Part Number	MCUSD18A40S09RS-30C
2	Construction	Water Proof
3	Using Method	Dual Use
4	Centre Frequency	40 ± 1kHz
5	Sound Pressure Level (dB)	≥90 (30cm/10V rms)
6	Sensitivity (dB)	≥-90dB/V/μbar
7	Beam pattern	110 × 50°
8	Capacitance (pF)	2,000 ± 25% at1kHz
9	Operating Temperature Range	-40°C to 85°C
10	Storage Temperature Range	-40°C to 85°C
11	Allowable Input Voltage (Vp-p)	160V
12	Housing Material	Aluminium

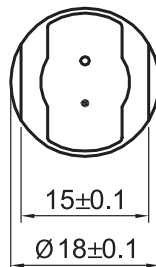
# MCUSD18A40S09RS-30C

## Drawing:



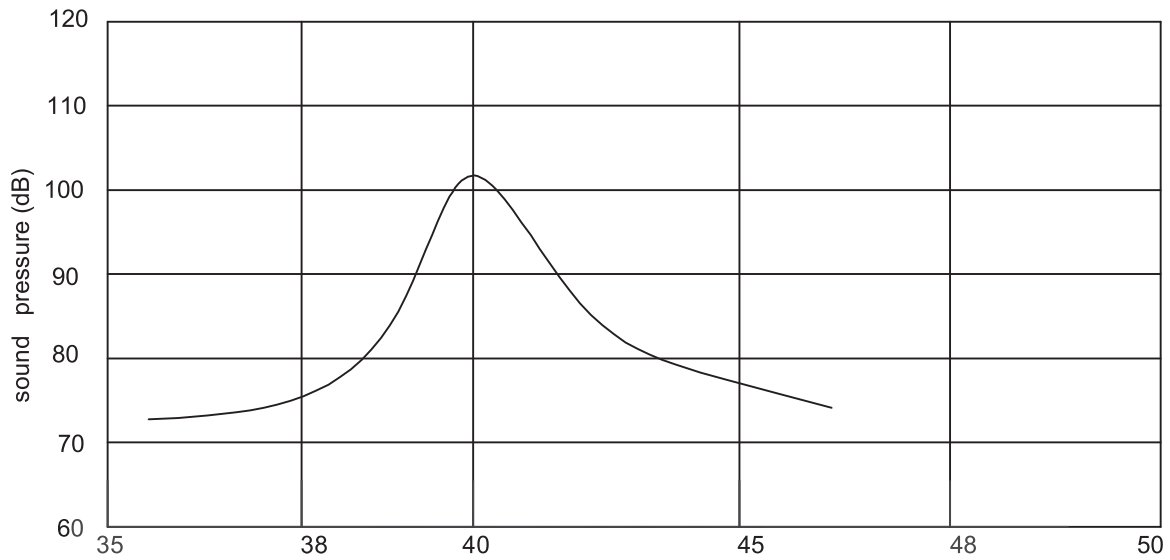
Lead wire  
AWG30 Red,Black  
connector pitch 2mm

# EIAJ code

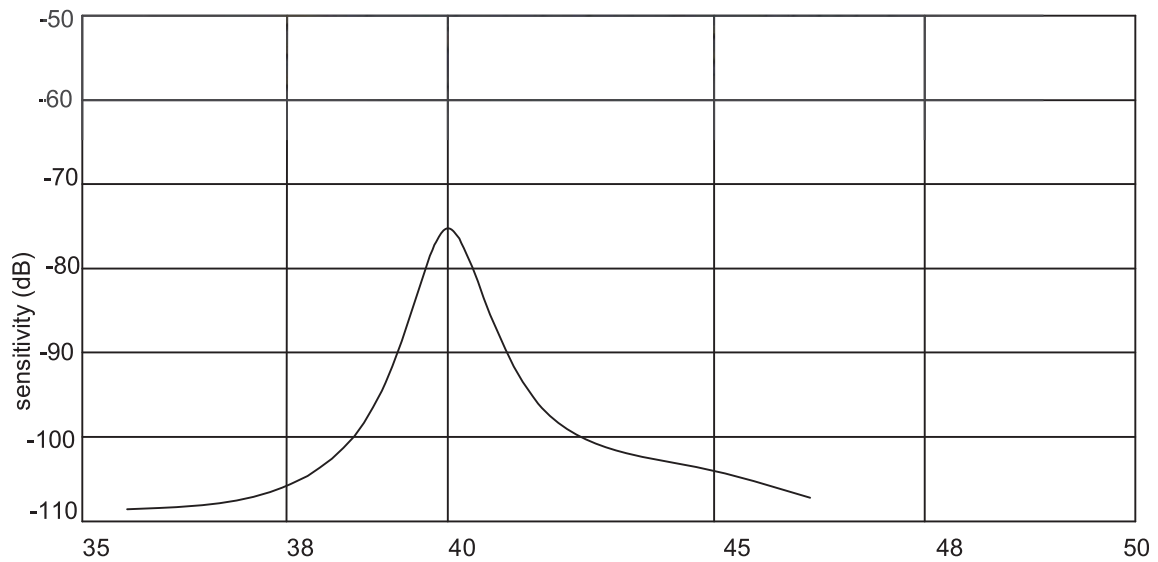


Dimensions : Millimetres

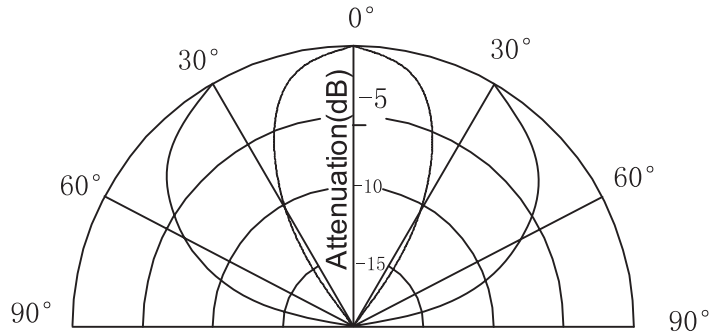
## Beam Pattern:



SPL-Freq.Characteristics



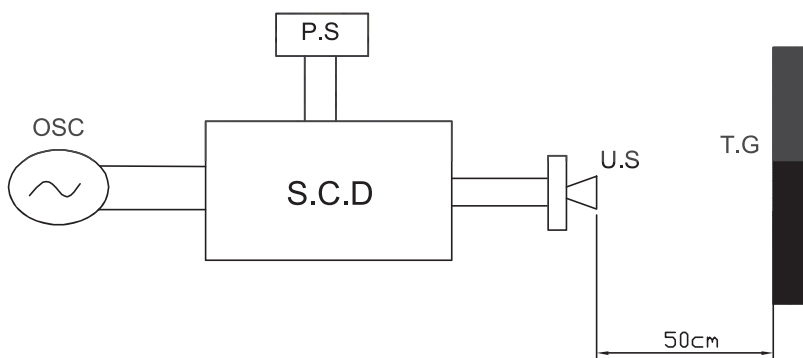
Sensitivity-Freq.Characteristics



Directivity in Overall Sensitivity

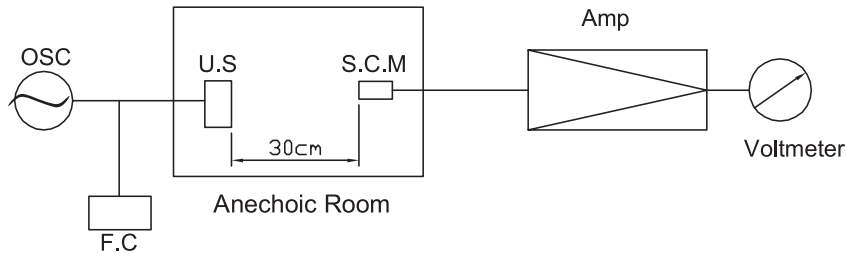
## Test Circuit:

### Echo&Rest.Resonant Time test circuit



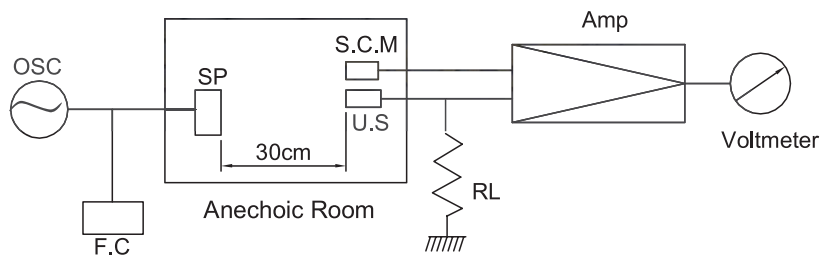
- OSC : Oscillator
- P.S : Power supply
- S.C.D : Special circuit diagram
- U.S : Ultrasonic Sensor
- T.G : Target

## S.P.L test circuit



- OSC. : Oscillator
- F.C : Frequency Counter
- U.S : Ultrasonic Sensor
- S.C.M : Standard Capacitor Microphone
- Amp. : Amplifier

## sensitivity test circuit



- OSC. : Oscillator
- F.C : Frequency Counter
- U.S : Ultrasonic Sensor
- S.C.M : Standard Capacitor Microphone
- Amp. : Amplifier
- SP : Tweeter
- RL : 3.9kΩ

## Part Number Table

Description	Part Number
Transceiver, 40kHz, 18mm, Metal	MCUSD18A40S09RS-30C

**Important Notice** : This data sheet and its contents (the "Information") belong to the members of the Premier Farnell group of companies (the "Group") or are licensed to it. No licence is granted for the use of it other than for information purposes in connection with the products to which it relates. No licence of any intellectual property rights is granted. The Information is subject to change without notice and replaces all data sheets previously supplied. The Information supplied is believed to be accurate but the Group assumes no responsibility for its accuracy or completeness, any error in or omission from it or for any use made of it. Users of this data sheet should check for themselves the Information and the suitability of the products for their purpose and not make any assumptions based on information included or omitted. Liability for loss or damage resulting from any reliance on the Information or use of it (including liability resulting from negligence or where the Group was aware of the possibility of such loss or damage arising) is excluded. This will not operate to limit or restrict the Group's liability for death or personal injury resulting from its negligence. Multicomp is the registered trademark of the Group. © Premier Farnell plc 2012.