

Applications:

- Level measurement
- Automation control
- Proximity
- Obstacle avoidance
- Robotics

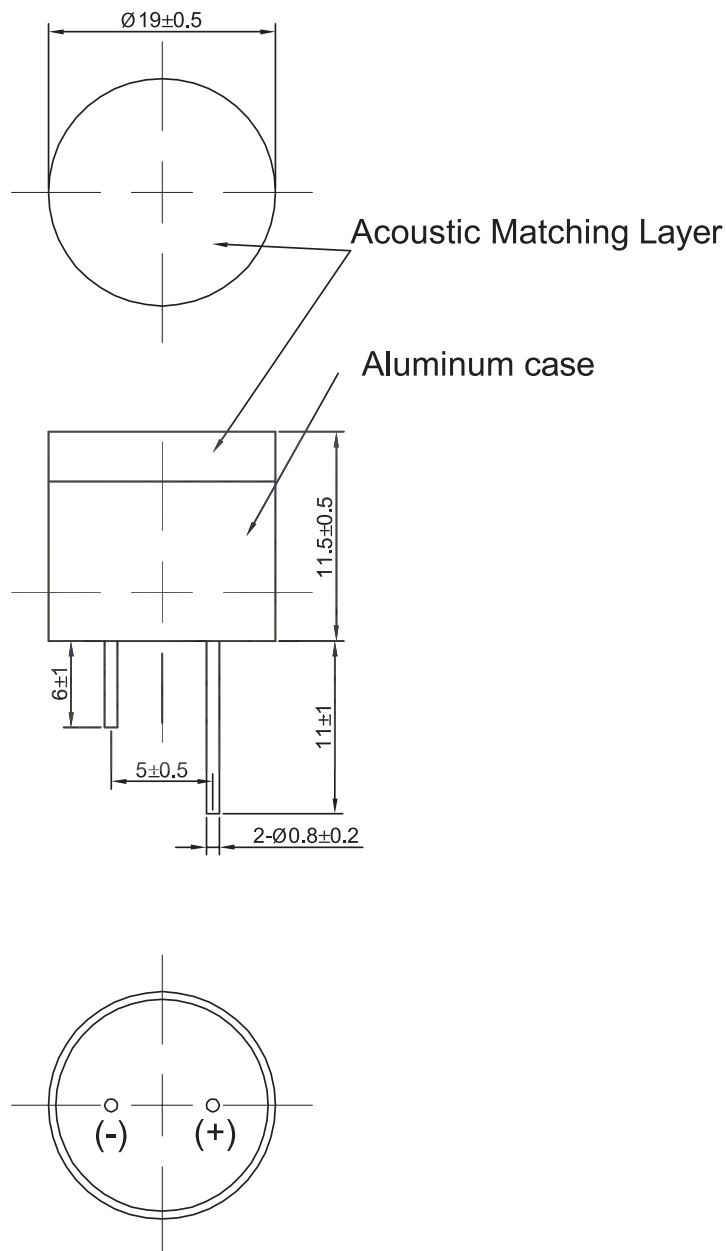
Features:

- Rugged sealed construction
- Cylindrical design allows for installation in various applications
- Short-range measurement capabilities

Technical Terms:

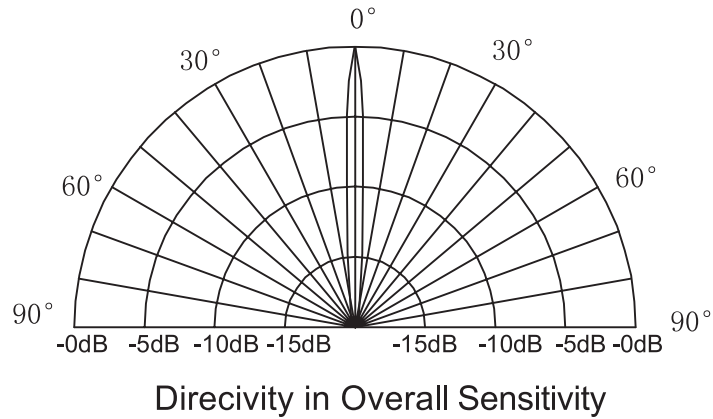
No	Item	Specification
1	Part Number	MCUSD19A175B11.5RS
2	Construction	Water Proof
3	Using Method	Dual Use
4	Centre Frequency	175 ± 10kHz
5	Receive Sensitivity Echo (V)	≥1 (Tested under 200Vp-p, at 20cm)
6	Capacitance (pF)	450 ± 25%
7	Max. Input Voltage (Plus)	500Vp-p
8	Directivity (-3dB)	7 ± 2
9	Distance of Detection	0.1m to 2m
10	Protection Class	IP65
11	Material	Aluminium
12	Operating Temperature Range	-20°C to +80°C
13	Storage Temperature Range	-35°C to +85°C

Drawing:

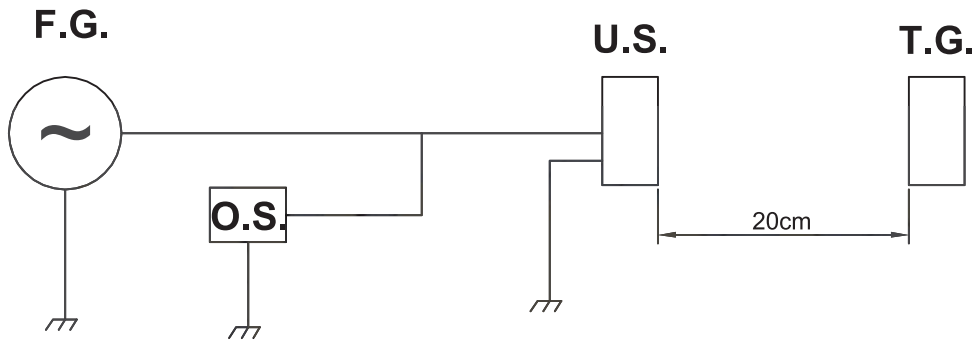


Dimensions : Millimetres

Beam Pattern:



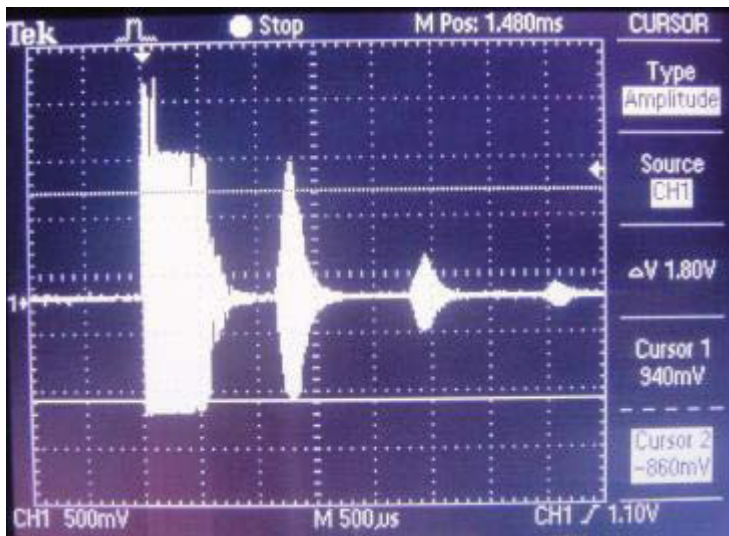
Test Circuit:



- F.G. : Function Generator
- U.S. : Ultrasonic Sensor
- T.G. : Target
- O.S. : Oscilloscope

Echo sensitivity / Ringing

Tested under 200Vp-p, 50bursts, 20cm



Part Number Table

Description	Part Number
Transceiver, 175kHz, 19mm, Metal	MCUSD19A175B11.5RS

Important Notice : This data sheet and its contents (the "Information") belong to the members of the Premier Farnell group of companies (the "Group") or are licensed to it. No licence is granted for the use of it other than for information purposes in connection with the products to which it relates. No licence of any intellectual property rights is granted. The Information is subject to change without notice and replaces all data sheets previously supplied. The Information supplied is believed to be accurate but the Group assumes no responsibility for its accuracy or completeness, any error in or omission from it or for any use made of it. Users of this data sheet should check for themselves the Information and the suitability of the products for their purpose and not make any assumptions based on information included or omitted. Liability for loss or damage resulting from any reliance on the Information or use of it (including liability resulting from negligence or where the Group was aware of the possibility of such loss or damage arising) is excluded. This will not operate to limit or restrict the Group's liability for death or personal injury resulting from its negligence. Multicomp is the registered trademark of the Group. © Premier Farnell plc 2012.