



- Ultra-SCSI
- Ultra-320
- SFF-8441
- EA1700A0AF

VHDCI Very High Density Cable Interconnect provides interconnections where space limitations and high performance are key requirements. Designed to be compact, these fully shielded connectors support ESD/EMI protection, are capable of transferring data up to 80 Gbps and meet EIA700A0AF specifications. Receptacles are available in both right angle and straddle-mount configurations with or without shield EMI tabs.

APPLICATIONS

- RAID
- Disk Drives/Systems
- Servers
- SANs (Storage Area Networks)
- Routers

ORDERING INFORMATION

Contact Amphenol for additional options

VHDCI Receptacle

H11 - XXX - XXX - X* - XX*

VHDCI RECEPTACLE

H11 - Standard receptacle
HE11 - RoHS receptacle

STYLE

RAA - Right Angle, Single Port
RDA - Straddle Mount, Single Port

OPTIONS

100 - No Screwlocks, Standard Shell
101 - Screwlocks Bulk Packed, Standard Shell
110 - No Screwlocks (Standard), Shell without EMI Tabs
111 - Screwlocks Bulk Packed, Shell without EMI Tabs

STRADDLE MOUNT PACKAGING

C - Plug Cover and Tube Packaging*
T - Tape & Reel Packaging*
CT - Plug Cover and Tape & Reel Packaging*

CONTACT OPTIONS

Blank - Standard**
1 - 0.125* contact tails**
3 - 0.062* PCB Thickness*
4 - 0.093* PCB Thickness*

NOTES

- * RDA Style Only
- ** RAA Style Only

MATERIAL SPECIFICATIONS

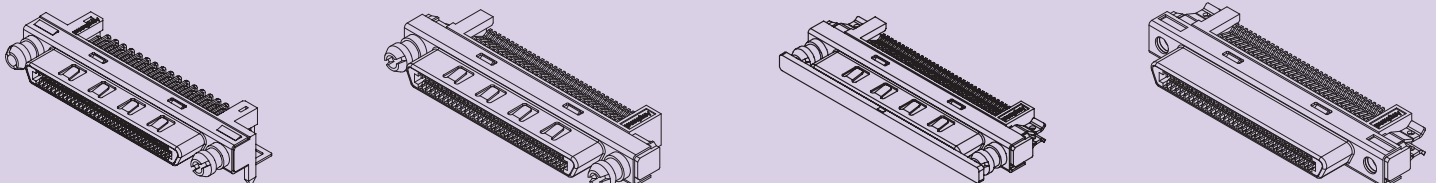
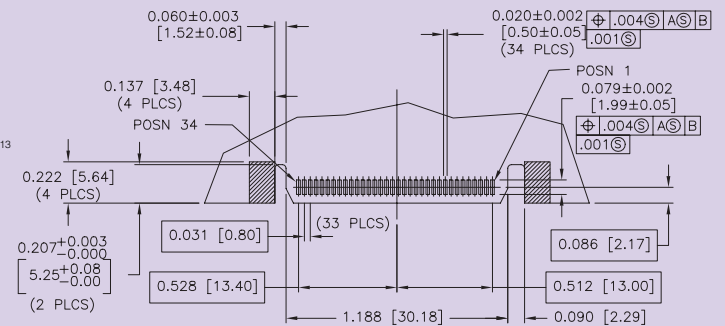
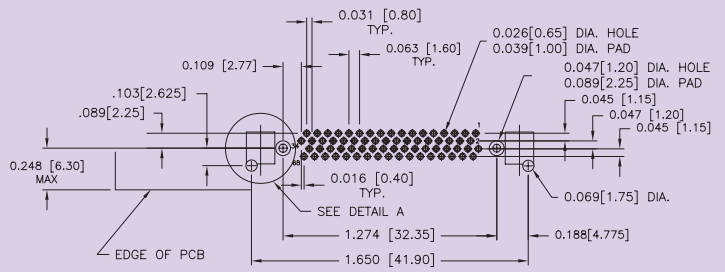
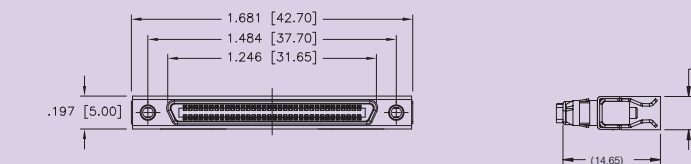
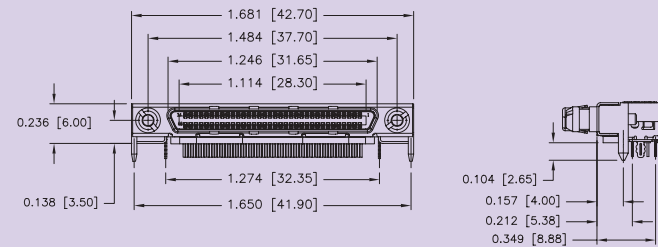
Plastic Insulator	Thermoplastic Flammability rating - UL94V-0
Contacts	Phosphor bronze 30µ" [0.76µm] gold plating over nickel on mating area and tin-lead or tin plating over nickel on PCB termination
Shell	Steel; Nickel plated

Ground Clips	Steel; Tin plated
Nuts	Brass; Bright zinc plated
Screw-Locks	Steel; Nickel plated

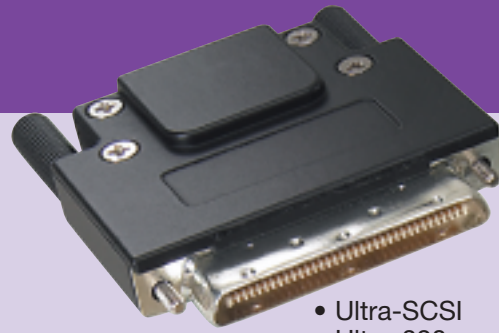
ELECTRICAL AND ENVIRONMENTAL SPECIFICATIONS

Current Rating	1.5 Amp maximum/contact (single contact) 0.5 Amp maximum/contact (34 contacts energized) 0.3 Amp maximum/contact (68 contacts energized)	Insulation Resistance	500 MΩ minimum
Contact Resistance	60mΩ maximum	Rated Voltage	30 V rms
		Operating Temperature	-55°C to +85°C
		Durability	2000 mating cycles

TECHNICAL SPECIFICATIONS / ISOMETRIC VIEWS



TOLERANCE: ± 0.005 [± 0.13] DIMENSIONS TO BE USED AS REFERENCE ONLY PLEASE REFER TO SALES DRAWINGS FOR DETAILED DIMENSIONS SPECIFICATIONS SUBJECT TO CHANGE



- Ultra-SCSI
- Ultra-320
- SFF-8441
- EA1700AOAF

APPLICATIONS

- RAID
- Disk Drives/Systems
- Servers
- SANs (Storage Area Networks)
- Routers

VHDCI Very High Density Cable Interconnect provides interconnections where space limitations and high performance are key requirements. Designed to be compact, these fully shielded connectors support ESD/EMI protection, are capable of transferring data up to 80 Gbps and meet EIA700A0AF specifications. Plugs are available with a variety of back shells, or without a back shell for over-molding purposes.

ORDERING INFORMATION

Contact Amphenol for additional options

VHDCI Plug

H12 - XXX - XXX

VHDCI PLUG KIT (IDC contacts)

STYLE

PAA - Plug with Die Cast Shell

PBA - Overmolding Purpose (No Back Shell)

SHELL OPTIONS

100 - No Back Shell (For Overmolding)*

102 - Die Cast Shell - up to Ø 0.440, Silver**

103 - Die Cast Shell - Ø 0.365 - Ø 0.402, Silver**

104 - Die Cast Shell - up to Ø 0.440, Black**

105 - Die Cast Shell - Ø 0.365 - Ø 0.402, Black**

NOTES

* No Back Shell Option for PBA Style

** Die Cast Shells for PAA Style Only

www.vhdc.com

MATERIAL SPECIFICATIONS

Plug Insulator	LCP Flammability rating – UL94V-0
Contacts	Phosphor bronze; 3μ" [0.076μm] gold flash over palladium-nickel on mating area and tin-lead plating over nickel on termination area
Strain Relief	PBT; Flammability rating – UL94V-0
Front Shell	Steel; Tin-lead plated
Back Shell	Die cast; Nickel plating or polyurethane black enamel

ELECTRICAL AND ENVIRONMENTAL SPECIFICATIONS

Current Rating	1.5 Amp maximum/contact (single contact)	Insulation Resistance	500 MΩ minimum
	0.5 Amp maximum/contact (34 contacts energized)	Rated Voltage	30 V rms
	0.3 Amp maximum/contact (68 contacts energized)	Operating Temperature	-55°C to +85°C
Contact Resistance	60mΩ maximum	Durability	2000 mating cycles

ISOMETRIC VIEWS

