

**ebm-papst St. Georgen GmbH & Co. KG**

Hermann-Papst-Straße 1

D-78112 St. Georgen

Phone +49 7724 81-0

Fax +49 7724 81-1309

info2@de.ebmpapst.com

www.ebmpapst.com

**Nominal data**

Type	3906	
Phase		1~
Nominal voltage	VAC	115
Frequency	Hz	60
Speed	min <sup>-1</sup>	3150
Power input	W	9.0
Min. ambient temperature	°C	-40
Max. ambient temperature	°C	80
Air flow	m <sup>3</sup> /h	70
Sound power level	B	5.1
Sound pressure level	dB(A)	40

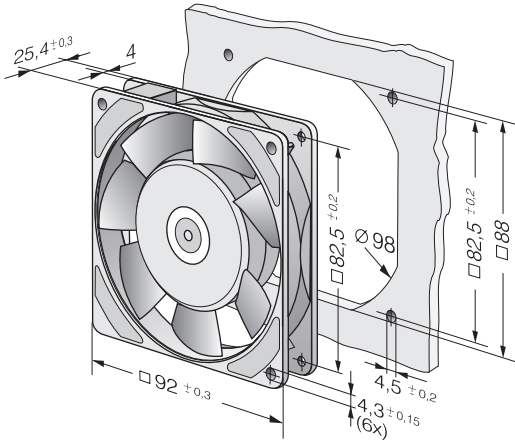
ml = max. load · me = max. efficiency · fa = running at free air · cs = customer specs · cu = customer unit  
Subject to alterations



## Technical features

<b>General description</b>	<p>AC voltage fan with internal rotor shaded-pole motor. Protected from overload by impedance protection.</p> <p>Fan housing made of metal, impeller made of mineral-reinforced PA plastic.</p> <p>Air exhaust over bars. Rotational direction counter-clockwise looking at rotor.</p> <p>Electrical connection to 2 flat plugs 2.8 x 0.5 mm.</p> <p>Fan housing with grounding lug for M4 screw.</p> <p>Mass 280 g.</p> <p>Please note our new ACmaxx series. With identical fastening dimensions and voltages, this series achieves higher energy efficiency.</p>
<b>Mass</b>	0.280 kg
<b>Dimensions</b>	92 x 92 x 25 mm
<b>Material of impeller</b>	Mineral-reinforced PA plastic
<b>Housing material</b>	Metal
<b>Direction of air flow</b>	Air exhaust over bars
<b>Direction of rotation</b>	Left, looking at rotor
<b>Bearing</b>	Ball bearings
<b>Lifetime L10 at 40 °C</b>	60000 h
<b>Lifetime L10 at maximum temperature</b>	22500 h
<b>Connection line</b>	2 flat plugs 2.8 x 0.5 mm. Housing with grounding lug.
<b>Motor protection</b>	Protected from overload using impedance protection
<b>Approval</b>	VDE, CSA, UL, CE

## Product drawing



## Charts: Air flow

