

7218 N

# DC axial compact fan



## ebm-papst St. Georgen GmbH & Co. KG

Hermann-Papst-Straße 1

D-78112 St. Georgen

Phone +49 7724 81-0

Fax +49 7724 81-1309

info2@de.ebmpapst.com

www.ebmpapst.com

## Nominal data

| Type                     | 7218 N            |          |
|--------------------------|-------------------|----------|
| Nominal voltage          | VDC               | 48       |
| Nominal voltage range    | VDC               | 24 .. 60 |
| Speed                    | min <sup>-1</sup> | 3050     |
| Power input              | W                 | 12.0     |
| Min. ambient temperature | °C                | -25      |
| Max. ambient temperature | °C                | 72       |
| Air flow                 | m <sup>3</sup> /h | 360      |
| Sound power level        | B                 | 6.2      |
| Sound pressure level     | dB(A)             | 53       |

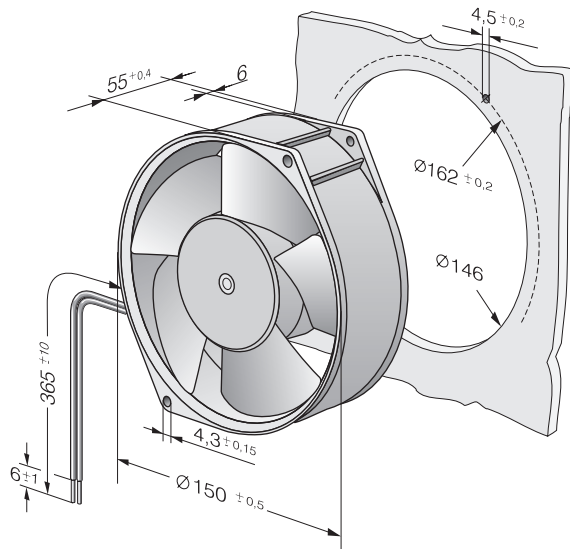
ml = max. load · me = max. efficiency · rfa = running at free air · cs = customer specs · cu = customer unit  
Subject to alterations



## Technical features

|  |   |
|--|---|
| <b>Dimensions</b>                          | 150 Ø x 55 mm   |
| <b>General description</b>                 | <p>Particular design features:<br/> Optional Vario-Pro: Highly flexible software configuration for the fan ensures an easily customisable solution to meet the individual requirements of your application.</p> <p>General features:<br/> Materials: Housing made of aluminium, impeller made of fibreglass-reinforced PA; housing with grounding lug for M4 x 8 screw (Torx).<br/> Electronic commutation completely integrated.<br/> Protected against reverse polarity and locking.<br/> Connection via single strands AWG 22, TR 64, bared and tin-plated.<br/> Air exhaust over bars. Direction of rotation counter-clockwise seen on rotor.<br/> Mass: 725 g.</p> |
| <b>Connection line</b>                     | Single strands AWG 22, TR 64, bared and tin-plated.   |
| <b>Locked-rotor protection</b>             | Electronic blocking protection  |
| <b>Direction of rotation</b>               | Left, looking at rotor  |
| <b>Direction of air flow</b>               | Air exhaust over bars   |
| <b>Bearing</b>                             | Ball bearings   |
| <b>Lifetime L10 at 40 °C</b>               | 80000 h   |
| <b>Lifetime L10 at maximum temperature</b> | 37500 h   |
| <b>Mass</b>                                | 0.725 kg  |
| <b>Housing material</b>                    | Aluminum. Housing with grounding lug for screw M4 x 8 (TORX).   |
| <b>Material of impeller</b>                | Fiberglass-reinforced PA plastic  |
| <b>Motor protection</b>                    | Protected against reverse polarity and locking.   |
| <b>Approval</b>                            | VDE, CSA, UL, CE  |

## Product drawing



## Charts: Air flow

