

## DS92LV1021 and DS92LV1210 16-40 MHz 10 Bit Bus LVDS Serializer and Deserializer

Check for Samples: [DS92LV1021](#), [DS92LV1210](#)

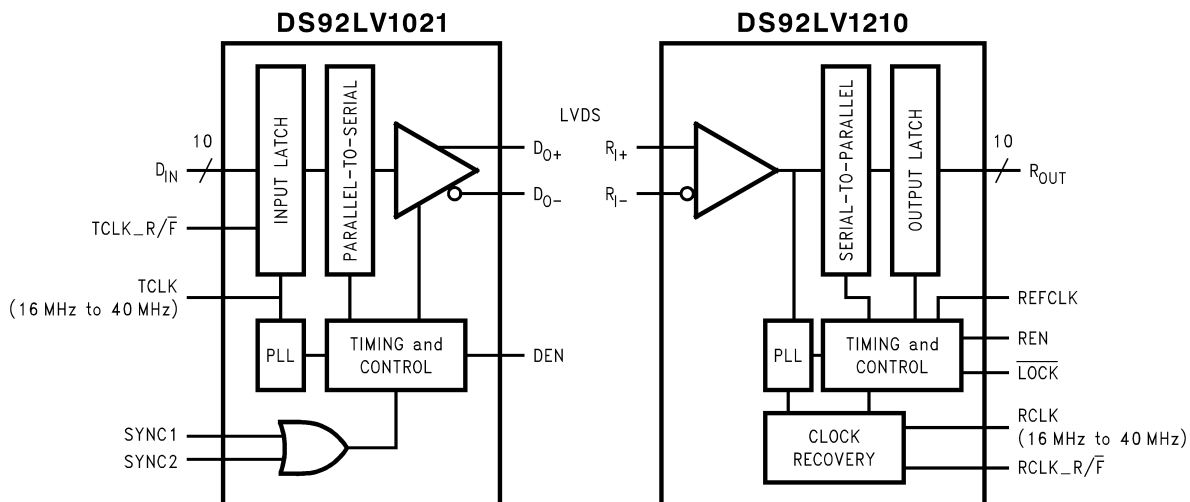
### FEATURES

- Ensured Transition Every Data Transfer Cycle
- Single Differential Pair Eliminates Multi-channel Skew
- Flow-through Pinout for Easy PCB Layout
- 400 Mbps Serial Bus LVDS Bandwidth (at 40 MHz clock)
- 10-bit Parallel Interface for 1 Byte Data Plus 2 Control Bits
- Synchronization Mode and LOCK Indicator
- Programmable Edge Trigger on Clock
- High Impedance on Receiver Inputs When Power is off
- Bus LVDS Serial Output Rated for 27Ω Load
- Small 28-lead SSOP Package (DB)

### DESCRIPTION

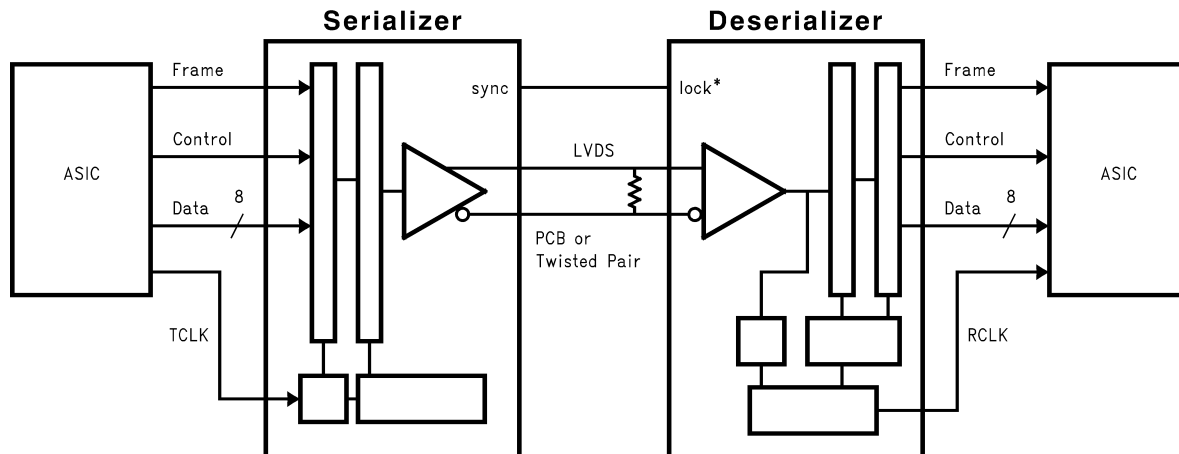
The DS92LV1021 transforms a 10-bit wide parallel CMOS/TTL data bus into a single high speed Bus LVDS serial data stream with embedded clock. The DS92LV1210 receives the Bus LVDS serial data stream and transforms it back into a 10-bit wide parallel data bus and separates clock. The DS92LV1021 may transmit data over heavily loaded backplanes or 10 meters of cable. The reduced cable, PCB trace count and connector size saves cost and makes PCB design layout easier. Clock-to-data and data-to-data skew are eliminated since one output will transmit both clock and all data bits serially. The powerdown pin is used to save power, by reducing supply current when either device is not in use. The Serializer has a synchronization mode that should be activated upon power-up of the device. The Deserializer will establish lock to this signal within 1024 cycles, and will flag Lock status. The embedded clock ensures a transition on the bus every 12-bit cycle; eliminating transmission errors due to charged cable conditions. The DS92LV1021 output pins may be TRI-STATE to achieve a high impedance state. The PLL can lock to frequencies between 16 MHz and 40 MHz.

### Block Diagram



Please be aware that an important notice concerning availability, standard warranty, and use in critical applications of Texas Instruments semiconductor products and disclaimers thereto appears at the end of this data sheet.

All trademarks are the property of their respective owners.



**Figure 1. Application**

## Functional Description

The DS92LV1021 and DS92LV1210 is a 10-bit Serializer / Deserializer chipset designed to transmit data over a heavily loaded differential backplanes at clock speeds from 16 to 40MHz. It may also be used to drive data over Unshielded Twisted Pair (UTP) cable.

The chipset has three active states of operation: Initialization, Data Transfer, and Resynchronization; and two passive states: Powerdown and TRI-STATE.

The following sections describe each operation and passive state.

### Initialization

Before data can be transferred both devices must be initialized. Initialization refers to synchronization of the Serializer and the Deserializer PLL's to local clocks that may be the same or separate. Afterward, synchronization of Deserializer to Serializer occurs as the second step of initialization.

**Step 1:** When  $V_{CC}$  is applied to both Serializer and/or Deserializer, the respective outputs are held in TRI-STATE and internal circuitry is disabled by on-chip power-on circuitry. When  $V_{CC}$  reaches  $V_{CC\ OK}$  (2.5V) the PLL in each device begins locking to a local clock. For the Serializer, the local clock is the transmit clock, TCLK, provided by the source ASIC or other device. For the Deserializer, the local clock is provided by an on-board oscillator or other source and applied to the REFCLK pin. After  $V_{CC\ OK}$  is reached the device's PLL will lock.

The Serializer outputs are held in TRI-STATE while the PLL locks to the TCLK. The Serializer is now ready to send data or SYNC patterns depending on the levels of the SYNC1 and SYNC2 inputs. The SYNC pattern is composed of six ones and six zeros switching at the input clock rate.

The Deserializer  $\overline{LOCK}$  output will remain high while its PLL is locking to the local clock- the REFCLK input and then to SYNC patterns on the input.

**Step 2:** The Deserializer PLL must synchronize to the Serializer to complete the initialization. The transmission of SYNC patterns to the Deserializer enables the Deserializer to lock to the Serializer signal.

Control of the sync pins is left to the user. A feedback loop between the  $\overline{LOCK}$  pin is one recommendation. Another option is that one or both of the Serializer SYNC inputs are asserted for at least 1024 cycles of TCLK to initiate transmission of SYNC patterns. The Serializer will continue to send SYNC patterns after the minimum of 1024 if either of the SYNC inputs remain high.

When the Deserializer detects edge transitions at the Bus LVDS input it will attempt to lock to the embedded clock information. When the Deserializer locks to the Bus LVDS clock, the  $\overline{LOCK}$  output will go low. When  $\overline{LOCK}$  is low the Deserializer outputs represent incoming Bus LVDS data.

## Data Transfer

After initialization, the Serializer inputs DIN0–DIN9 may be used to input data to the Serializer. Data is clocked into the Serializer by the TCLK input. The edge of TCLK used to strobe in data is selectable via the TCLK\_R/F pin. TCLK\_R/F high selects the rising edge for clocking data and low selects the falling edge. If either of the SYNC inputs is high for 5\*TCLK cycles the data at DIN 0–DIN9 is ignored regardless of the clock edge.

A start bit and a stop bit, appended internally, frame the data bits in the register. The start bit is always high and the stop bit is always low. The start and stop bits function as the embedded clock bits in the serial stream.

Serialized data and clock bits (10+2 bits) are transmitted from the serial data output (DO) at 12 times the TCLK frequency. For example, if TCLK is 40 MHz, the serial rate is  $40 \times 12 = 480$  Mega bits per second. Since only 10 bits are from input data, the serial “payload” rate is 10 times the TCLK frequency. For instance, if TCLK = 40 MHz, the payload data rate is  $40 \times 10 = 400$  Mbps. TCLK is provided by the data source and must be in the range 16 MHz to 40 MHz nominal.

The outputs (DO±) can drive a heavily loaded backplane or a point-to-point connection. The outputs transmit data when the enable pin (DEN) is high,  $\overline{\text{PWRDN}} = \text{high}$  and SYNC1 and SYNC2 are low. The DEN pin may be used to TRI-STATE the outputs when driven low.

The  $\overline{\text{LOCK}}$  pin on the Deserializer is driven low when it is synchronized with the Serializer. The Deserializer locks to the embedded clock and uses it to recover the serialized data. ROUT data is valid when  $\overline{\text{LOCK}}$  is low. Otherwise ROUT0–ROUT9 is invalid.

RCLK pin is the reference to data on the ROUT0–ROUT9 pins. The polarity of the RCLK edge is controlled by the RCLK\_R/F input.

ROUT(0–9),  $\overline{\text{LOCK}}$  and RCLK outputs will drive a minimum of three CMOS input gates (15 pF load) with 40 MHz clock.

## Resynchronization

The Deserializer  $\overline{\text{LOCK}}$  pin driven low indicates that the Deserializer PLL is locked to the embedded clock edge. If the Deserializer loses lock, the  $\overline{\text{LOCK}}$  output will go high and the outputs (including RCLK) will be TRI-STATE.

The  $\overline{\text{LOCK}}$  pin must be monitored by the system to detect a loss of synchronization and the system must arrange to pulse the Serializer SYNC1 or SYNC2 pin to resynchronize. There are multiple approaches possible. One recommendation is to provide a feedback loop using the  $\overline{\text{LOCK}}$  pin itself to control the sync request of the Serializer (SYNC1 or SYNC2). Otherwise,  $\overline{\text{LOCK}}$  pin needs to be monitored and when it is a high, the system needs to ensure that one or both of the Serializer SYNC inputs are asserted for at least 1024 cycles of TCLK. A minimum of 1024 sync patterns are needed to resynchronize. Dual SYNC pins are provided for multiple control in a multi-drop application.

## Powerdown

The Powerdown state is a low power sleep mode that the Serializer and Deserializer may use to reduce power when there is no data to be transferred. Powerdown is entered when  $\overline{\text{PWRDN}}$  and REN are driven low on the Deserializer, and when the  $\overline{\text{PWRDN}}$  is driven low on the Serializer. In Powerdown, the PLL is stopped and the outputs go into TRI-STATE, disabling load current and also reducing supply current to the milliamp range. To exit Powerdown,  $\overline{\text{PWRDN}}$  is driven high.

Both the Serializer and Deserializer must reinitialize and resynchronize before data can be transferred. Initialization of the Serializer takes 1024 TCLK cycles. The Deserializer will initialize and assert  $\overline{\text{LOCK}}$  high until it is locked to the Bus LVDS clock.

## TRI-STATE

For the Serializer, TRI-STATE is entered when the DEN pin is driven low. This will TRI-STATE both driver output pins (DO+ and DO–). When DEN is driven high the serializer will return to the previous state as long as all other control pins remain static (SYNC1, SYNC2,  $\overline{\text{PWRDN}}$ , TCLK\_R/F).

For the Deserializer, TRI-STATE is entered when the REN pin is driven low. This will TRI-STATE the receiver output pins (ROUT0–ROUT9),  $\overline{\text{LOCK}}$  and RCLK.



These devices have limited built-in ESD protection. The leads should be shorted together or the device placed in conductive foam during storage or handling to prevent electrostatic damage to the MOS gates.

### Absolute Maximum Ratings <sup>(1)(2)</sup>

Supply Voltage ( $V_{CC}$ )	-0.3V to +4V
CMOS/TTL Input Voltage	-0.3V to ( $V_{CC} + 0.3V$ )
CMOS/TTL Output Voltage	-0.3V to ( $V_{CC} + 0.3V$ )
Bus LVDS Receiver Input Voltage	-0.3V to +3.9V
Bus LVDS Driver Output Voltage	-0.3V to +3.9V
Bus LVDS Output Short Circuit Duration	Continuous
Junction Temperature	+150°C
Storage Temperature	-65°C to +150°C
Lead Temperature	
(Soldering, 4 seconds)	+260°C
Maximum Package Power Dissipation Capacity	
@ 25°C Package: 28L SSOP	1.27 W
Package Derating:	
28L SSOP	10.2 mW/°C above +25°C
ESD Rating (HBM)	>5kV

- (1) "Absolute Maximum Ratings" are those values beyond which the safety of the device cannot be verified. They are not meant to imply that the devices should be operated at these limits. The table of "Electrical Characteristics" specifies conditions of device operation.
- (2) If Military/Aerospace specified devices are required, please contact the TI Sales Office/Distributors for availability and specifications.

### Recommended Operating Conditions

	Min	Nom	Max	Units
Supply Voltage ( $V_{CC}$ )	3.0	3.3	3.6	V
Operating Free Air Temperature ( $T_A$ )	-40	+25	+85	°C
Receiver Input Range	0		2.4	V
Supply Noise Voltage ( $V_{CC}$ )				100 mV <sub>P-P</sub>

### Electrical Characteristics <sup>(1)</sup>

Over recommended operating supply and temperature ranges unless otherwise specified.

Symbol	Parameter	Conditions	Min	Typ <sup>(2)</sup>	Max	Units
<b>SERIALIZER CMOS/TTL DC SPECIFICATIONS (apply to DIN0-9, TCLK, PWRDN, TCLK_R/F, SYNC1, SYNC2, DEN)</b>						
$V_{IH}$	High Level Input Voltage		2.0		$V_{CC}$	V
$V_{IL}$	Low Level Input Voltage		GND		0.8	V
$V_{CL}$	Input Clamp Voltage	$I_{CL} = -18$ mA			-1.5	V
$I_{IN}$	Input Current	$V_{IN} = 0V$ or 3.6V	-10	±2	+10	µA
<b>DESERIALIZER CMOS/TTL DC SPECIFICATIONS (apply to pins PWRDN, RCLK_R/F, REN, REFCLK = inputs; apply to pins ROUT, RCLK, LOCK = outputs)</b>						
$V_{IH}$	High Level Input Voltage		2.0		$V_{CC}$	V
$V_{IL}$	Low Level Input Voltage		GND		0.8	V
$V_{CL}$	Input Clamp Voltage	$I_{CL} = -18$ mA		-0.62	-1.5	V
$I_{IN}$	Input Current	$V_{IN} = 0V$ or 3.6V	-10	±1	+10	µA
$V_{OH}$	High Level Output Voltage	$I_{OH} = -9$ mA	2.1	2.93	$V_{CC}$	V
$V_{OL}$	Low Level Output Voltage	$I_{OL} = 9$ mA	GND	0.33	0.6	V
$I_{OS}$	Output Short Circuit Current	$V_{OUT} = 0V$	-15	-38	-85	mA

- (1) Current into device pins is defined as positive. Current out of device pins is defined as negative. Voltages are referenced to ground except VOD, ΔVOD, VTH and VTL which are differential voltages.
- (2) Typical values are given for  $V_{CC} = 3.3V$  and  $T_A = +25°C$ .

## Electrical Characteristics<sup>(1)</sup> (continued)

Over recommended operating supply and temperature ranges unless otherwise specified.

Symbol	Parameter	Conditions	Min	Typ <sup>(2)</sup>	Max	Units	
$I_{OZ}$	TRI-STATE Output Current	$\overline{PWRDN}$ or $REN = 0.8V$ , $V_{OUT} = 0V$ or $VCC$	-10	$\pm 0.4$	+10	$\mu A$	
<b>SERIALIZER Bus LVDS DC SPECIFICATIONS (apply to pins DO+ and DO-)</b>							
$V_{OD}$	Output Differential Voltage (DO+)-(DO-)	$R_L = 27\Omega$	200	270		mV	
$\Delta V_{OD}$	Output Differential Voltage Unbalance				35	mV	
$V_{OS}$	Offset Voltage		0.78	1.1	1.3	V	
$\Delta V_{OS}$	Offset Voltage Unbalance				35	mV	
$I_{OS}$	Output Short Circuit Current	$D0 = 0V$ , $DIN = High$ , $\overline{PWRDN}$ and $DEN = 2.4V$		-10	-15	mA	
$I_{OZ}$	TRI-STATE Output Current	$\overline{PWRDN}$ or $DEN = 0.8V$ , $DO = 0V$ or $VCC$	-10	$\pm 1$	+10	$\mu A$	
$I_{OX}$	Power-Off Output Current	$VCC = 0V$ , $DO = 0V$ or $VCC$	-20	$\pm 1$	+20	$\mu A$	
<b>DESERIALIZER Bus LVDS DC SPECIFICATIONS (apply to pins RI+ and RI-)</b>							
$V_{TH}$	Differential Threshold High Voltage	$VCM = +1.1V$		+19	+100	mV	
$V_{TL}$	Differential Threshold Low Voltage		-100	-7		mV	
$I_{IN}$	Input Current	$V_{IN} = +2.4V$ , $V_{CC} = 3.6V$ or $0V$	-10	$\pm 1$	+10	$\mu A$	
		$V_{IN} = 0V$ , $V_{CC} = 3.6V$ or $0V$	-15	$\pm 1$	+15	$\mu A$	
<b>SERIALIZER SUPPLY CURRENT (apply to pins DVCC and AVCC)</b>							
$I_{CCD}$	Serializer Supply Current	$R_L = 27\Omega$	$f = 40$ MHz		32	55	mA
	Worst Case	See <a href="#">Figure 2</a>	$f = 16$ MHz		25	45	mA
$I_{CCXD}$	Serializer Supply Current Powerdown	$\overline{PWRDN} = 0.8V$			4	10	mA
<b>DESERIALIZER SUPPLY CURRENT (apply to pins DVCC and AVCC)</b>							
$I_{CCR}$	Deserializer Supply Current	$C_L = 15$ pF	$f = 40$ MHz		44	75	mA
	Worst Case	See <a href="#">Figure 3</a>	$f = 16$ MHz		31	55	mA
$I_{CCXR}$	Deserializer Supply Current Powerdown	$\overline{PWRDN} = 0.8V$ , $REN = 0.8V$			1.5	5.0	mA

## Serializer Timing Requirements for TCLK

Over recommended operating supply and temperature ranges unless otherwise specified.

Symbol	Parameter	Conditions	Min	Typ <sup>(1)</sup>	Max	Units
$t_{TCP}$	Transmit Clock Period		25	T	62.5	ns
$t_{TCIH}$	Transmit Clock High Time		0.4T	0.5T	0.6T	ns
$t_{TCIL}$	Transmit Clock Low Time		0.4T	0.5T	0.6T	ns
$t_{CLKT}$	TCLK Input Transition Time			3	6	ns
$t_{JIT}$	TCLK Input Jitter				150	ps

(1) Typical values are given for  $V_{CC} = 3.3V$  and  $T_A = +25^\circ C$ .

## Serializer Switching Characteristics

Over recommended operating supply and temperature ranges unless otherwise specified.

Symbol	Parameter	Conditions	Min	Typ <sup>(1)</sup>	Max	Units
$t_{LLHT}$	Bus LVDS Low-to-High Transition Time	$R_L = 27\Omega$ See <a href="#">Figure 4</a>		0.2	1	ns
$t_{LHLT}$	Bus LVDS High-to-Low Transition Time	$C_L = 10pF$ to GND		0.25	1	ns
$t_{DIS}$	DIN (0-9) Setup to TCLK	See <a href="#">Figure 7</a>	1.0	0		ns
$t_{DIH}$	DIN (0-9) Hold from TCLK	$R_L = 27\Omega$ , $C_L = 10pF$ to GND	6.5	4.5		ns

(1) Typical values are given for  $V_{CC} = 3.3V$  and  $T_A = +25^\circ C$ .

## Serializer Switching Characteristics (continued)

Over recommended operating supply and temperature ranges unless otherwise specified.

Symbol	Parameter	Conditions	Min	Typ <sup>(1)</sup>	Max	Units
$t_{HZD}$	DO $\pm$ HIGH to TRI-STATE Delay	See Figure 8 <sup>(2)</sup> $R_L = 27\Omega$ , $C_L = 10\text{pF}$ to GND		3.5	10	ns
$t_{LZD}$	DO $\pm$ LOW to TRI-STATE Delay			2.9	10	ns
$t_{ZHD}$	DO $\pm$ TRI-STATE to HIGH Delay			2.5	10	ns
$t_{ZLD}$	DO $\pm$ TRI-STATE to LOW Delay			2.7	10	ns
$t_{SPW}$	SYNC Pulse Width	See Figure 9 $R_L = 27\Omega$	$1024 \cdot t_{TCP}$		$1029 \cdot t_{TCP}$	ns
$t_{PLD}$	Serializer PLL Lock Time		$2048 \cdot t_{TCP}$		$2049 \cdot t_{TCP}$	ns
$t_{SD}$	Serializer Delay	See Figure 10 $R_L = 27\Omega$	$t_{TCP}$	$t_{TCP} + 2.5$	$t_{TCP} + 5$	ns
$t_{BIT}$	Bus LVDS Bit Width	$R_L = 27\Omega$ , $C_L = 10\text{pF}$ to GND		$t_{CLK} / 12$		ns

(2) Due to TRI-STATE of the Serializer, the Deserializer will lose PLL lock and have to resynchronize before data transfer.

## Deserializer Timing Requirements for REFCLK

Over recommended operating supply and temperature ranges unless otherwise specified.

Symbol	Parameter	Conditions	Min	Typ <sup>(1)</sup>	Max	Units
$t_{RFCP}$	REFCLK Period		25	T	62.5	ns
$t_{RFDC}$	REFCLK Duty Cycle			50		%
$t_{RFCP} / t_{TCP}$	Ratio of REFCLK to TCLK Periods		0.83	1	1.03	
$t_{RFTT}$	REFCLK Transition Time			3	6	ns

(1) Typical values are given for  $V_{CC} = 3.3\text{V}$  and  $T_A = +25^\circ\text{C}$ .

## Deserializer Switching Characteristics

Over recommended operating supply and temperature ranges unless otherwise specified.

Symbol	Parameter	Conditions	Pin/Freq.	Min	Typ <sup>(1)</sup>	Max	Units
$t_{RCP}$	Receiver out Clock Period	See Figure 10 $t_{RCP} = t_{TCP}$	RCLK	25		62.5	ns
$t_{CLH}$	CMOS/TTL Low-to-High Transition Time	CL = 15 pF See Figure 5	Rout(0-9), LOCK, RCLK		2	5	ns
$t_{CHL}$	CMOS/TTL High-to-Low Transition Time				2	5	ns
$t_{DD}$	Deserializer Delay	See Figure 11		$1.75 \cdot t_{RCP}$	$1.75 \cdot t_{RCP} + 3$	$1.75 \cdot t_{RCP} + 7$	ns
$t_{ROS}$	ROUT (0-9) Setup Data to RCLK	See Figure 12	RCLK	$0.4 \cdot t_{RCP}$	$0.5 \cdot t_{RCP}$		ns
$t_{ROH}$	ROUT (0-9) Hold Data to RCLK			$-0.4 \cdot t_{RCP}$	$-0.5 \cdot t_{RCP}$		ns
$t_{RDC}$	RCLK Duty Cycle			40	50	60	%
$t_{HZR}$	HIGH to TRI-STATE Delay	See Figure 13	Rout(0-9), LOCK		$4 + 0.5 \cdot t_{RCP}$	$10 + t_{RCP}$	ns
$t_{LZR}$	LOW to TRI-STATE Delay				$4.2 + 0.5 \cdot t_{RCP}$	$10 + t_{RCP}$	ns
$t_{ZHR}$	TRI-STATE to HIGH Delay				$6 + 0.5 \cdot t_{RCP}$	$12 + t_{RCP}$	ns
$t_{ZLR}$	TRI-STATE to LOW Delay				$6.5 + 0.5 \cdot t_{RCP}$	$12 + t_{RCP}$	ns

(1) Typical values are given for  $V_{CC} = 3.3\text{V}$  and  $T_A = +25^\circ\text{C}$ .

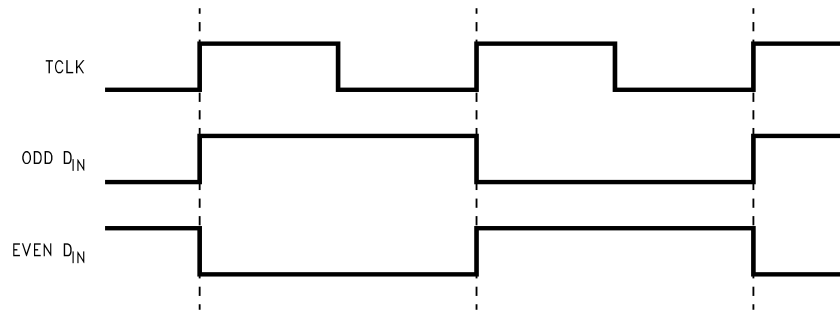
## Deserializer Switching Characteristics (continued)

Over recommended operating supply and temperature ranges unless otherwise specified.

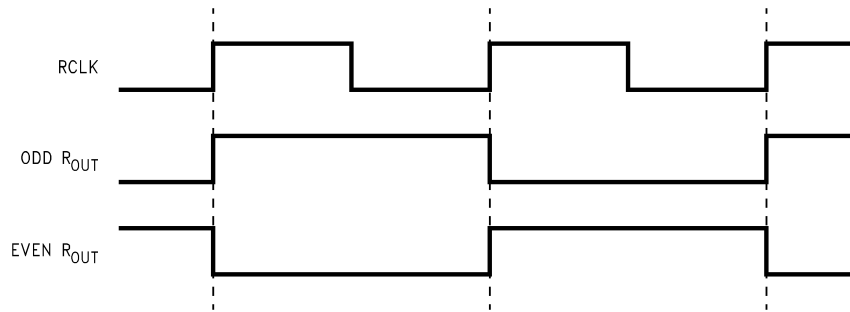
Symbol	Parameter	Conditions	Pin/Freq.	Min	Typ <sup>(1)</sup>	Max	Units	
t <sub>DSR1</sub>	Deserializer PLL Lock Time from PWRDWN (with SYNCPAT)	See <sup>(2)</sup> See <a href="#">Figure 14</a> See <a href="#">Figure 15</a>	16MHz		7	15	μs	
			40MHz		4.8	25.6	μs	
t <sub>DSR2</sub>	Deserializer PLL Lock time from SYNCPAT		16MHz		7	10	μs	
			40MHz		4.5	7	μs	
t <sub>ZHLK</sub>	TRI-STATE to HIGH Delay (power-up)			LOCK		1.5	12	ns
t <sub>RNM</sub>	Deserializer Noise Margin		See <a href="#">Figure 16</a> See <sup>(3)</sup>	16 MHz	400	1100		ps
		40 MHz		100	400		ps	

- (2) For the purpose of specifying deserializer PLL performance t<sub>DSR1</sub> and t<sub>DSR2</sub> are specified with the REFCLK running and stable, and specific conditions of the incoming data stream (SYNCPATs). It is recommended that the deserializer be initialized using either t<sub>DSR1</sub> timing or t<sub>DSR2</sub> timing. t<sub>DSR1</sub> is the time required for the deserializer to indicate lock upon power-up or when leaving the power-down mode. Synchronization patterns should be sent to the device before initiating either condition. t<sub>DSR2</sub> is the time required to indicate lock for the powered-up and enabled deserializer when the input (RI+ and RI-) conditions change from not receiving data to receiving synchronization patterns (SYNCPATs).
- (3) t<sub>RNM</sub> is a measure of how much phase noise (jitter) the deserializer can tolerate in the incoming data stream before bit errors occur.

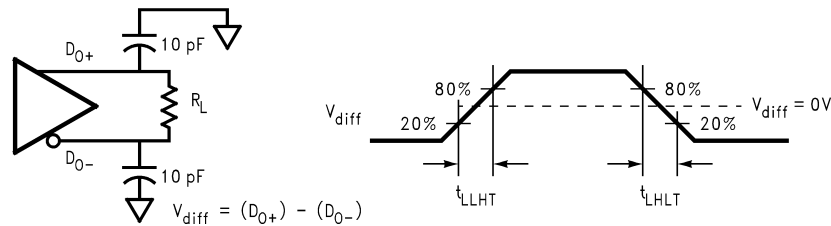
**AC TIMING DIAGRAMS AND TEST CIRCUITS**



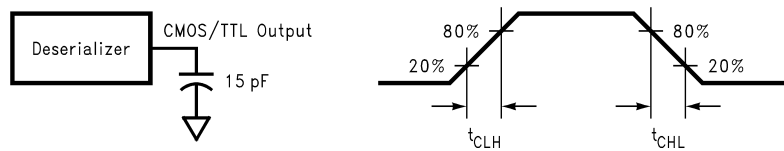
**Figure 2. “Worst Case” Serializer ICC Test Pattern**



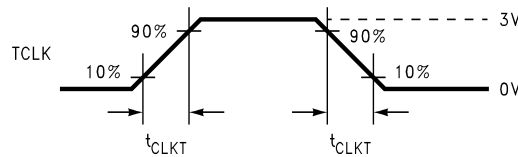
**Figure 3. “Worst Case” Deserializer ICC Test Pattern**



**Figure 4. Serializer Bus LVDS Output Load and Transition Times**

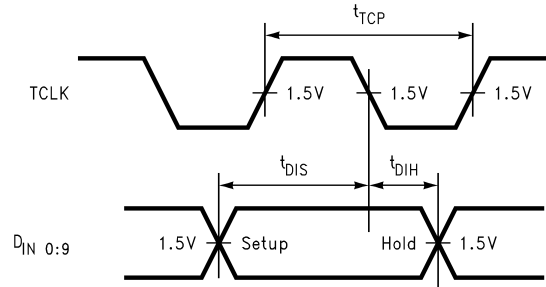


**Figure 5. Deserializer CMOS/TTL Output Load and Transition Times**



**Figure 6. Serializer Input Clock Transition Time**





Timing shown for TCLK\_R/F = LOW

Figure 7. Serializer Setup/Hold Times

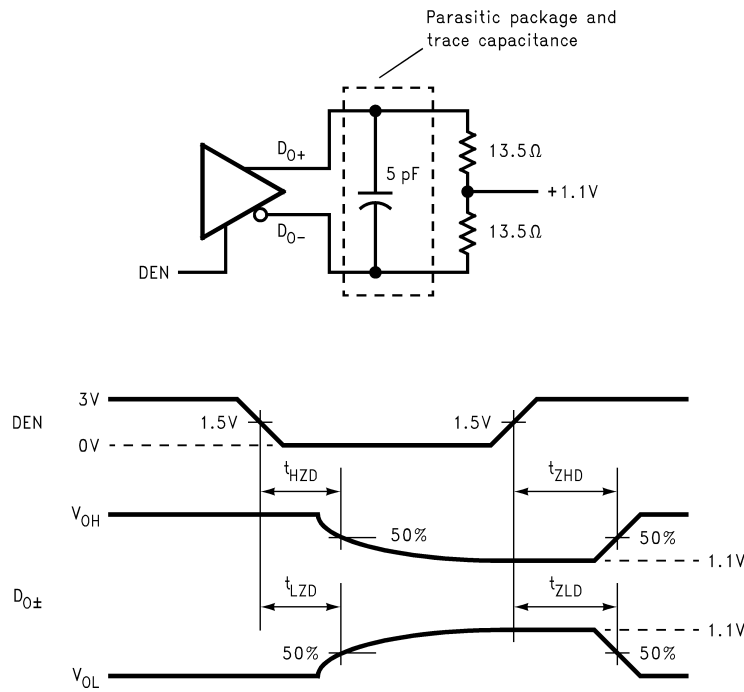


Figure 8. Serializer TRI-STATE Test Circuit and Timing

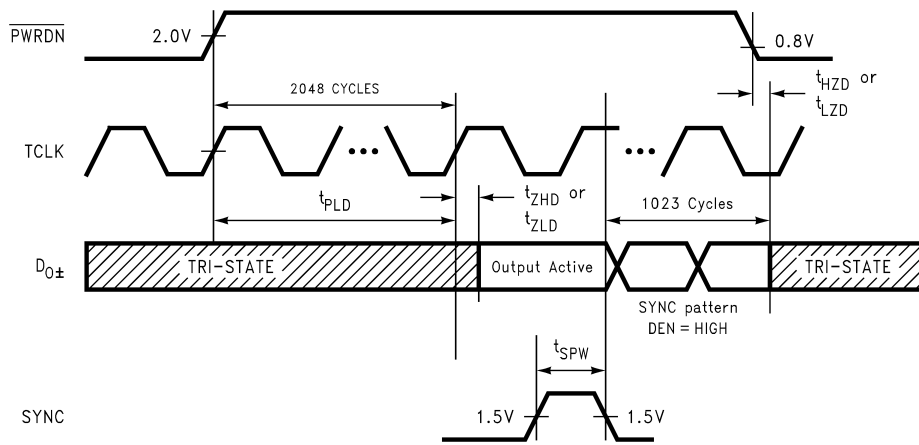


Figure 9. Serializer PLL Lock Time, SYNC Timing and  $\overline{\text{PWRDN}}$  TRI-STATE Delays

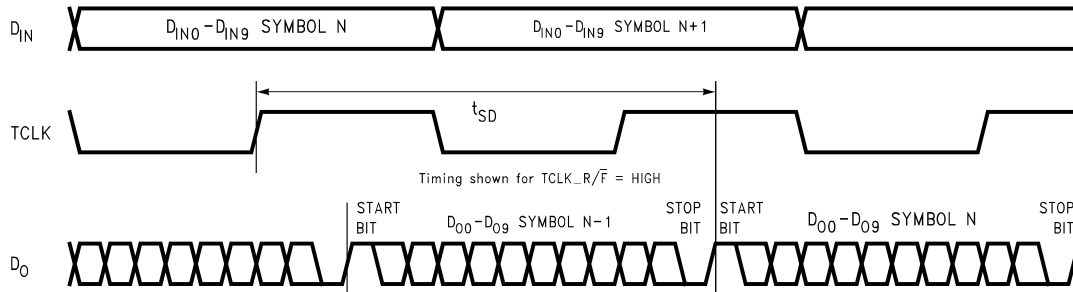


Figure 10. Serializer Delay

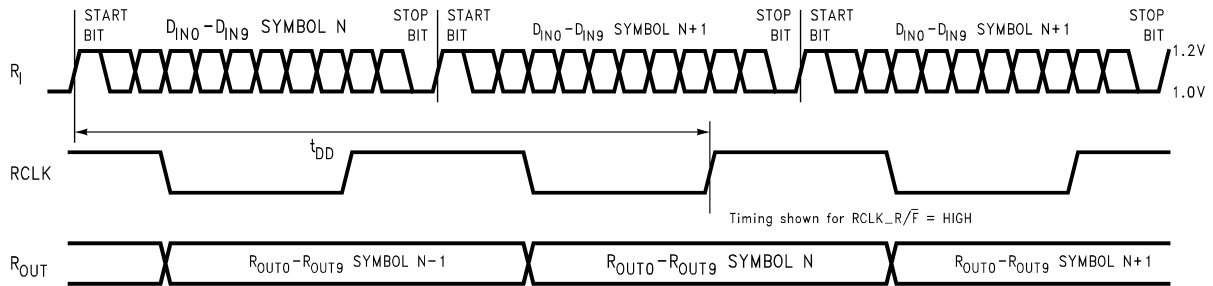


Figure 11. Deserializer Delay

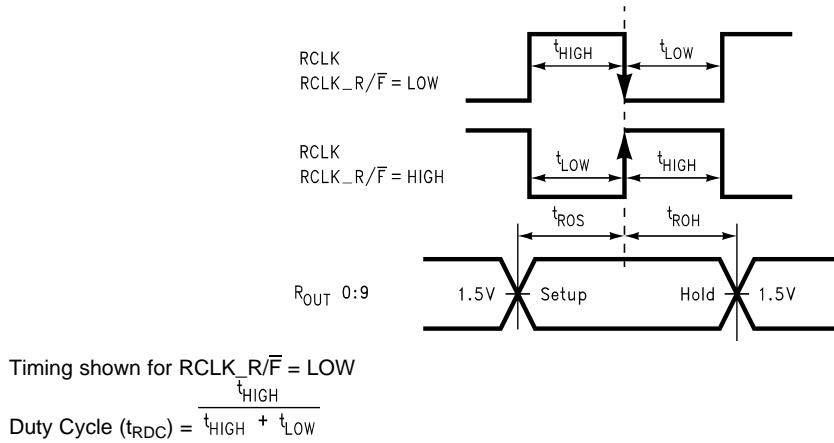


Figure 12. Deserializer Setup and Hold Times

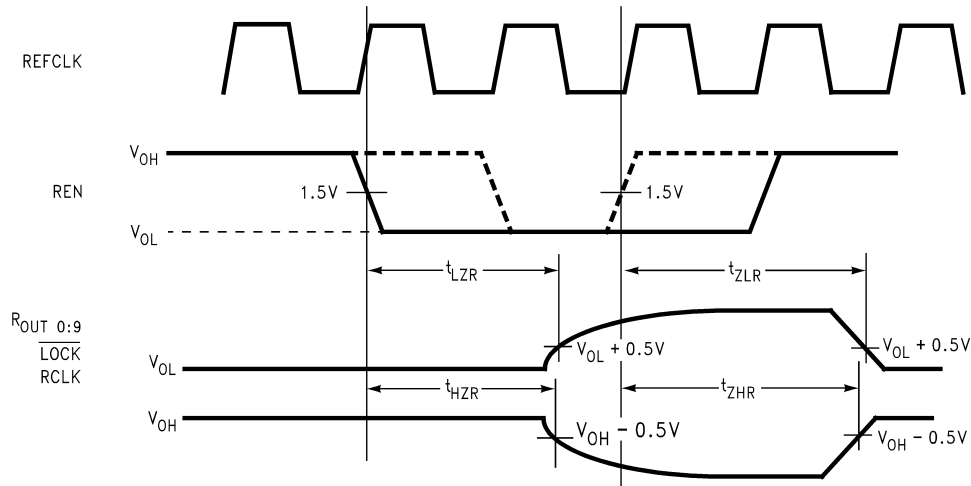


Figure 13. Deserializer TRI-STATE Test Circuit and Timing

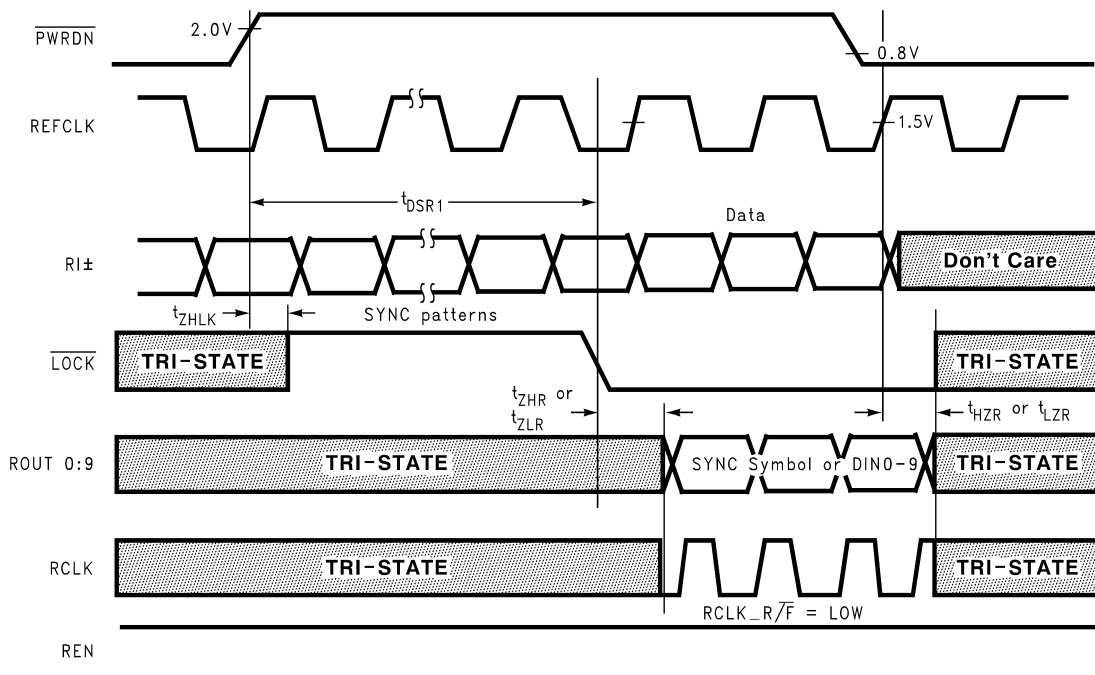


Figure 14. Deserializer PLL Lock Times and PWRDN TRI-STATE Delays

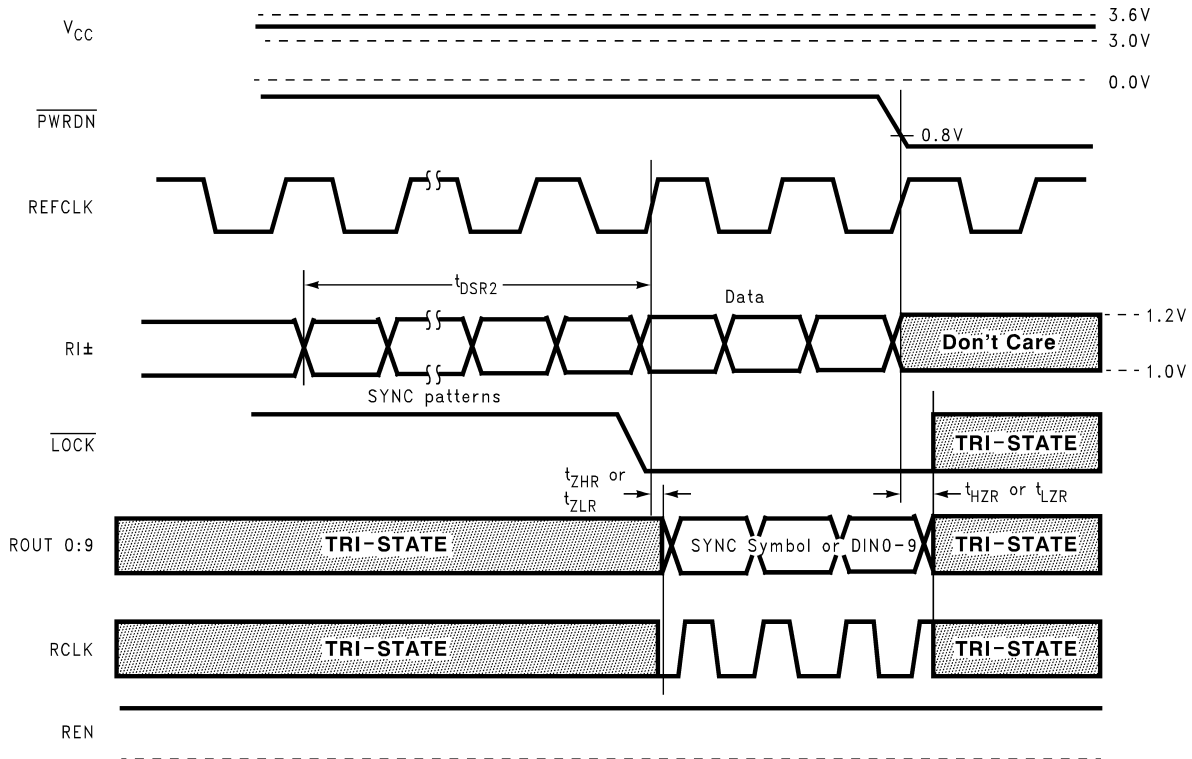
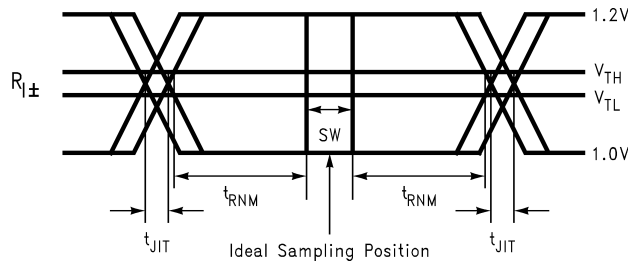
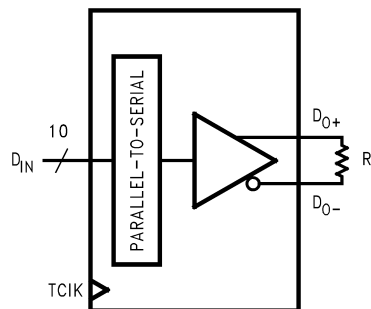


Figure 15. Deserializer PLL Lock Time from SyncPAT



SW - Setup and Hold Time (Internal data sampling window)  
 t<sub>JIT</sub> - Serializer Output Bit Position Jitter  
 t<sub>RSM</sub> = Receiver Sampling Margin Time

Figure 16. Receiver Bus LVDS Input Skew Margin



$V_{OD} = (DO+) - (DO-)$ .  
 Differential output signal is shown as (DO+)-(DO-), device in Data Transfer mode.

## APPLICATION INFORMATION

### USING THE DS92LV1021 AND DS92LV1210

The Serializer and Deserializer chipset is an easy to use transmitter and receiver pair that sends 10 bits of parallel TTL data over a serial Bus LVDS link up to 400 Mbps. Serialization of the input data is accomplished using an onboard PLL at the Serializer which embeds two clock bits with the data. The Deserializer uses a separate reference clock (REFCLK) and an onboard PLL to extract the clock information from the incoming data stream and deserialize the data. The Deserializer monitors the incoming clock information to determine lock status and will indicate loss of lock by raising the  $\overline{\text{LOCK}}$  output.

### POWER CONSIDERATIONS

All CMOS design of the Serializer and Deserializer makes them inherently low power devices. Additionally, the constant current source nature of the Bus LVDS outputs minimize the slope of the speed vs.  $I_{CC}$  curve of CMOS designs.

### POWERING UP THE SERIALIZER

The DS92LV1021 must be powered up using a specific sequence to properly start the PLL up. Not following the sequence can cause the Bus LVDS outputs to be stuck in a certain output state. This may occur if the TCLK input is driven before power is applied to the Serializer. It is important to note that this is not a latch up condition: no excessive current is drawn by the Serializer in this state and the power does not need to be cycled to recover from this state. Cycling the PWRDWN pin from high to low and back to high will reset the PLL and return the Serializer to normal operation.

To avoid this condition, the Serializer should be powered up (ALL  $V_{CC}$  pins) simultaneously with the PWRDWN pin held low for 1 $\mu$ s. Do not float the PWRDWN pin, external pull resistor is recommended. Once the  $V_{CC}$  pins have stabilized the TCLK input can be driven and the Serializer will be ready for data transmission.

### POWERING UP THE DESERIALIZER

The DS92LV1210 can be powered up at any time following the proper sequence. The REFCLK input can be running before the Deserializer is powered up and it must be running in order for the Deserializer to lock to incoming data. The Deserializer outputs will remain in TRI-STATE until the Deserializer detects data transmission at its inputs and locks to the incoming stream. The recommended power up sequence for the deserializer is to power up all  $V_{CC}$  pins simultaneously with the PWRDWN pin held low for 1 $\mu$ s. Once the  $V_{CC}$  pins have stabilized the Deserializer is ready for locking. Another option to ensure proper power up is to cycle the PWRDWN pin from high to low and back to high after power up.

### TRANSMITTING DATA

Once the Serializer and Deserializer are powered up and running they must be phase locked to each other in order to transmit data. Phase locking is accomplished by the Serializer sending SYNC patterns to the Deserializer. SYNC patterns are sent by the Serializer whenever SYNC1 or SYNC2 inputs are held high. The  $\overline{\text{LOCK}}$  output of the Deserializer is high whenever the Deserializer is not locked. Connecting the  $\overline{\text{LOCK}}$  output of the Deserializer to one of the SYNC inputs of the Serializer will ensure that enough SYNC patterns are sent to achieve Deserializer lock.

While the Deserializer  $\overline{\text{LOCK}}$  output is low, data at the Deserializer outputs (ROUT0-9) is valid except for the specific case of loss of lock during transmission.

### NOISE MARGIN

The Deserializer noise margin is the amount of input jitter (phase noise) that the Deserializer can tolerate and still reliably receive data. Various environmental and systematic factors include:

Serializer: TCLK jitter,  $V_{CC}$  noise (noise bandwidth and out-of-band noise)

Media: ISI,  $V_{CM}$  noise

Deserializer:  $V_{CC}$  noise

## RECOVERING FROM LOCK LOSS

In the case where the Serializer loses lock during data transmission up to 5 cycles of data that was previously received can be invalid. This is due to the delay in the lock detection circuit. The lock detect circuit requires that invalid clock information be received 4 times in a row to indicate loss of lock. Since clock information has been lost it is possible that data was also lost during these cycles. When the Deserializer LOCK pin goes low, data from at least the previous 5 cycles should be resent upon regaining lock.

Lock can be regained at the Deserializer by causing the Serializer to resend SYNC patterns as described above.

## PCB CONSIDERATIONS

The Bus LVDS devices Serializer and Deserializer should be placed as close to the edge connector as possible. In multiple Deserializer applications, the distance from the Deserializer to the slot connector appears as a stub to the Serializer driving the backplane traces. Longer stubs lower the impedance of the bus increasing the load on the Serializer and lowers threshold margin at the Deserializers. Deserializer devices should be placed no more than 1 inch from the slot connector.

## TRANSMISSION MEDIA

The Serializer and Deserializer are designed for data transmission over a multi-drop bus. Multi-drop buses use a single Serializer and multiple Deserializer devices. Since the Serializer can be driving from any point on the bus, the bus must be terminated at both ends. For example, a 100 Ohm differential bus must be terminated at each end with 100 Ohms lowering the DC impedance that the Serializer must drive to 50 Ohms. This load is further lowered by the addition of multiple Deserializers. Adding up to 20 Deserializers to the bus (depending upon spacing) will lower the total load to about 27 Ohms (54 Ohm bus). The Serializer is designed for DC loads between 27 and 100 Ohms.

The Serializer and Deserializer can also be used in point-to-point configuration of a backplane, PCB trace or through a twisted pair cable. In point-to-point configurations the transmission media need only be terminated at the receiver end. In the point-to-point configuration the potential of offsetting the ground levels of the Serializer vs. the Deserializer must be considered. Bus LVDS provides a plus / minus one volt common mode range at the receiver inputs.

## Pin Diagrams

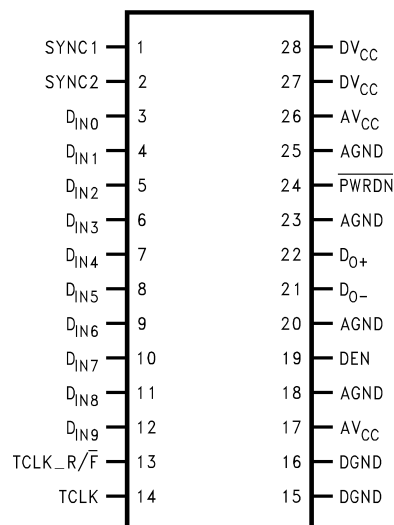
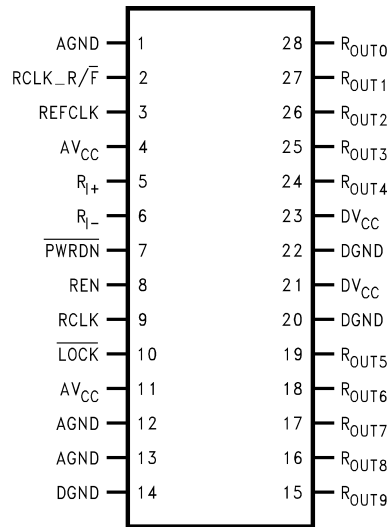


Figure 17. DS92LV1021 Serializer DB Package


**Figure 18. DS92LV1210 Deserializer DB Package**
**SERIALIZER PIN DESCRIPTIONS**

Pin Name	I/O	No.	Description
DIN	I	3–12	Data Input. TTL levels inputs. Data on these pins are loaded into a 10-bit input register.
TCLK_R/F	I	13	Transmit Clock Rising/Falling strobe select. TTL level input. Selects TCLK active edge for strobing of DIN data. High selects rising edge. Low selects falling edge.
DO+	O	22	+ Serial Data Output. Non-inverting Bus LVDS differential output.
DO-	O	21	- Serial Data Output. Inverting Bus LVDS differential output.
DEN	I	19	Serial Data Output Enable. TTL level input. A low, puts the Bus LVDS outputs in TRI-STATE.
PWRDN	I	24	Powerdown. TTL level input. PWRDN driven low shuts down the PLL and TRI-STATES outputs putting the device into a low power sleep mode. Do not float the PWRDWN pin, external pull resistor is recommended. A pull-down will disable the device until it is actively driven (enabled).
TCLK	I	14	Transmit Clock. TTL level input. Input for 16 MHz–40 MHz (nominal) system clock.
SYNC	I	1, 2	Assertion of SYNC (high) for at least 1024 synchronization symbols to be transmitted on the Bus LVDS serial output. Synchronization symbols continue to be sent if SYNC continues asserted. TTL level input. The two SYNC pins are ORed.
DVCC	I	27, 28	Digital Circuit power supply.
DGND	I	15, 16	Digital Circuit ground.
AVCC	I	17, 26	Analog power supply (PLL and Analog Circuits).
AGND	I	18, 25, 20, 23	Analog ground (PLL and Analog Circuits).

**DESERIALIZER PIN DESCRIPTION**

Pin Name	I/O	No.	Description
ROUT	O	15–19, 24–28	Data Output. ±9 mA CMOS level outputs.
RCLK_R/F	I	2	Recovered Clock Rising/Falling strobe select. TTL level input. Selects RCLK active edge for strobing of ROUT data. High selects rising edge. Low selects falling edge.
RI+	I	5	+ Serial Data Input. Non-inverting Bus LVDS differential input.
RI-	I	6	- Serial Data Input. Inverting Bus LVDS differential input.

**DESERIALIZER PIN DESCRIPTION (continued)**

Pin Name	I/O	No.	Description
$\overline{\text{PWRDN}}$	I	7	Powerdown. TTL level input. $\overline{\text{PWRDN}}$ driven low shuts down the PLL and TRI-STATes outputs putting the device into a low power sleep mode.
$\overline{\text{LOCK}}$	O	10	$\overline{\text{LOCK}}$ goes low when the Deserializer PLL locks onto the embedded clock edge. CMOS level output. Totem pole output structure, does not directly support wire OR connection.
RCLK	O	9	Recovered Clock. Parallel data rate clock recovered from embedded clock. Used to strobe ROUT, CMOS level output.
REN	I	8	Output Enable. TTL level input. TRI-STATes ROUT0–ROUT9, $\overline{\text{LOCK}}$ and RCLK when driven low.
DVCC	I	21, 23	Digital Circuit power supply.
DGND	I	14, 20, 22	Digital Circuit ground.
AVCC	I	4, 11	Analog power supply (PLL and Analog Circuits).
AGND	I	1, 12, 13	Analog ground (PLL and Analog Circuits).
REFCLK	I	3	Use this pin to supply a REFCLK signal for the internal PLL frequency.

**Truth Table**

DIN (0–9)	TCLK_R $\overline{\text{F}}$	TCLK	SYNC1/SYNC2	DEN	$\overline{\text{PWRDN}}$	DO+	DO–	
X	X	X	X	X	0	Z	Z	
X	X	X	X	0	1	Z	Z	
X	X	SYSTEM CLK	1 <sup>(1)</sup>	1	1	SYNC PTRN	SYNC PTRN <sup>(2)</sup>	
DATA	1		0	1	1	DATA (0–9)	DATA (0–9) <sub>v</sub>	
DATA	0		0	1	1	DATA (0–9)	DATA (0–9) <sup>(2)</sup>	
RI	RI–	RCLK_R $\overline{\text{F}}$	REFCLK	REN	$\overline{\text{PWRDN}}$	RCLK	$\overline{\text{LOCK}}$	ROUT (0–9)
X	X	X	X	X	0	Z	Z	Z
X	X	X	X	0 <sup>(3)</sup>	1	Z	Z	Z
SYNC PTRN	SYNC PTRN <sup>(2)</sup>	X	SYSTEM CLK	1	1	CLK	1 <sup>(4)</sup>	SYNC PTRN
DATA (0–9)	DATA (0–9) <sup>(2)</sup>	1	SYSTEM CLK	1	1		0	DATA
DATA (0–9)	DATA (0–9) <sup>(2)</sup>	0	SYSTEM CLK	1	1		0	DATA

(1) Pulse 5-bits

(2) Inverted

(3) Device must be locked first

(4) Must be 1 before SYNC PTRN starts



---

**REVISION HISTORY**

<b>Changes from Revision B (April 2013) to Revision C</b>	<b>Page</b>
• Changed layout of National Data Sheet to TI format .....	<a href="#">16</a>

---

**PACKAGING INFORMATION**

Orderable Device	Status (1)	Package Type	Package Drawing	Pins	Package Qty	Eco Plan (2)	Lead/Ball Finish	MSL Peak Temp (3)	Op Temp (°C)	Device Marking (4/5)	Samples
DS92LV1021TMSA	NRND	SSOP	DB	28	47	TBD	Call TI	Call TI		DS92LV1021T MSA	
DS92LV1021TMSA/NOPB	NRND	SSOP	DB	28	47	Green (RoHS & no Sb/Br)	CU SN	Level-3-260C-168 HR		DS92LV1021T MSA	
DS92LV1021TMSAX	OBSOLETE	SSOP	DB	28		TBD	Call TI	Call TI		DS92LV1021T MSA	
DS92LV1021TMSAX/NOPB	NRND	SSOP	DB	28	2000	Green (RoHS & no Sb/Br)	CU SN	Level-3-260C-168 HR		DS92LV1021T MSA	

(1) The marketing status values are defined as follows:

**ACTIVE:** Product device recommended for new designs.

**LIFEBUY:** TI has announced that the device will be discontinued, and a lifetime-buy period is in effect.

**NRND:** Not recommended for new designs. Device is in production to support existing customers, but TI does not recommend using this part in a new design.

**PREVIEW:** Device has been announced but is not in production. Samples may or may not be available.

**OBSOLETE:** TI has discontinued the production of the device.

(2) Eco Plan - The planned eco-friendly classification: Pb-Free (RoHS), Pb-Free (RoHS Exempt), or Green (RoHS & no Sb/Br) - please check <http://www.ti.com/productcontent> for the latest availability information and additional product content details.

**TBD:** The Pb-Free/Green conversion plan has not been defined.

**Pb-Free (RoHS):** TI's terms "Lead-Free" or "Pb-Free" mean semiconductor products that are compatible with the current RoHS requirements for all 6 substances, including the requirement that lead not exceed 0.1% by weight in homogeneous materials. Where designed to be soldered at high temperatures, TI Pb-Free products are suitable for use in specified lead-free processes.

**Pb-Free (RoHS Exempt):** This component has a RoHS exemption for either 1) lead-based flip-chip solder bumps used between the die and package, or 2) lead-based die adhesive used between the die and leadframe. The component is otherwise considered Pb-Free (RoHS compatible) as defined above.

**Green (RoHS & no Sb/Br):** TI defines "Green" to mean Pb-Free (RoHS compatible), and free of Bromine (Br) and Antimony (Sb) based flame retardants (Br or Sb do not exceed 0.1% by weight in homogeneous material)

(3) MSL, Peak Temp. -- The Moisture Sensitivity Level rating according to the JEDEC industry standard classifications, and peak solder temperature.

(4) There may be additional marking, which relates to the logo, the lot trace code information, or the environmental category on the device.

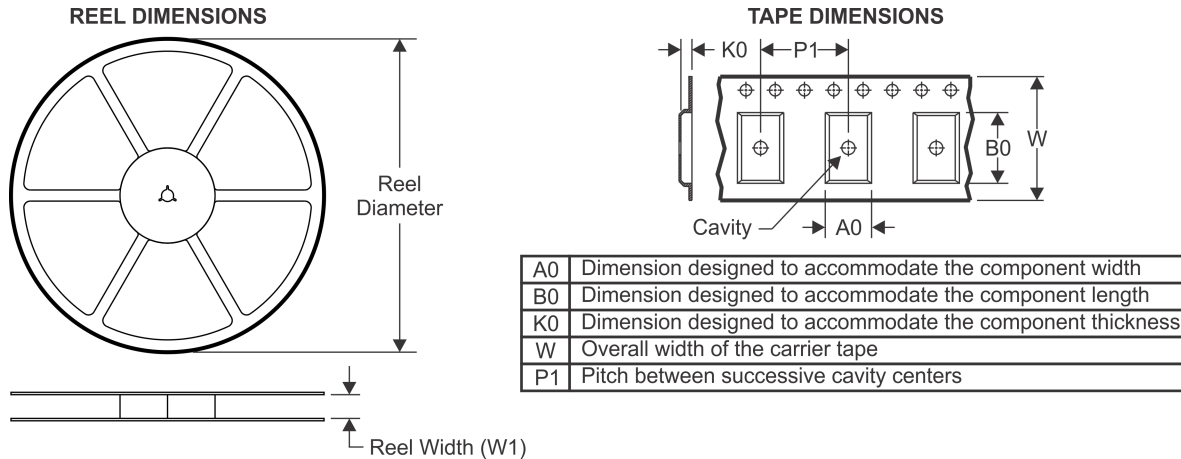
(5) Multiple Device Markings will be inside parentheses. Only one Device Marking contained in parentheses and separated by a "~" will appear on a device. If a line is indented then it is a continuation of the previous line and the two combined represent the entire Device Marking for that device.

**Important Information and Disclaimer:** The information provided on this page represents TI's knowledge and belief as of the date that it is provided. TI bases its knowledge and belief on information provided by third parties, and makes no representation or warranty as to the accuracy of such information. Efforts are underway to better integrate information from third parties. TI has taken and

continues to take reasonable steps to provide representative and accurate information but may not have conducted destructive testing or chemical analysis on incoming materials and chemicals. TI and TI suppliers consider certain information to be proprietary, and thus CAS numbers and other limited information may not be available for release.

In no event shall TI's liability arising out of such information exceed the total purchase price of the TI part(s) at issue in this document sold by TI to Customer on an annual basis.

## TAPE AND REEL INFORMATION



### QUADRANT ASSIGNMENTS FOR PIN 1 ORIENTATION IN TAPE



\*All dimensions are nominal

Device	Package Type	Package Drawing	Pins	SPQ	Reel Diameter (mm)	Reel Width W1 (mm)	A0 (mm)	B0 (mm)	K0 (mm)	P1 (mm)	W (mm)	Pin1 Quadrant
DS92LV1021TMSAX/NOPB	SSOP	DB	28	2000	330.0	16.4	8.4	10.7	2.4	12.0	16.0	Q1

TAPE AND REEL BOX DIMENSIONS



\*All dimensions are nominal

Device	Package Type	Package Drawing	Pins	SPQ	Length (mm)	Width (mm)	Height (mm)
DS92LV1021TMSAX/NOP B	SSOP	DB	28	2000	367.0	367.0	38.0

DB (R-PDSO-G\*\*)

PLASTIC SMALL-OUTLINE

28 PINS SHOWN



- NOTES: A. All linear dimensions are in millimeters.  
 B. This drawing is subject to change without notice.  
 C. Body dimensions do not include mold flash or protrusion not to exceed 0,15.  
 D. Falls within JEDEC MO-150

## IMPORTANT NOTICE

Texas Instruments Incorporated and its subsidiaries (TI) reserve the right to make corrections, enhancements, improvements and other changes to its semiconductor products and services per JESD46, latest issue, and to discontinue any product or service per JESD48, latest issue. Buyers should obtain the latest relevant information before placing orders and should verify that such information is current and complete. All semiconductor products (also referred to herein as "components") are sold subject to TI's terms and conditions of sale supplied at the time of order acknowledgment.

TI warrants performance of its components to the specifications applicable at the time of sale, in accordance with the warranty in TI's terms and conditions of sale of semiconductor products. Testing and other quality control techniques are used to the extent TI deems necessary to support this warranty. Except where mandated by applicable law, testing of all parameters of each component is not necessarily performed.

TI assumes no liability for applications assistance or the design of Buyers' products. Buyers are responsible for their products and applications using TI components. To minimize the risks associated with Buyers' products and applications, Buyers should provide adequate design and operating safeguards.

TI does not warrant or represent that any license, either express or implied, is granted under any patent right, copyright, mask work right, or other intellectual property right relating to any combination, machine, or process in which TI components or services are used. Information published by TI regarding third-party products or services does not constitute a license to use such products or services or a warranty or endorsement thereof. Use of such information may require a license from a third party under the patents or other intellectual property of the third party, or a license from TI under the patents or other intellectual property of TI.

Reproduction of significant portions of TI information in TI data books or data sheets is permissible only if reproduction is without alteration and is accompanied by all associated warranties, conditions, limitations, and notices. TI is not responsible or liable for such altered documentation. Information of third parties may be subject to additional restrictions.

Resale of TI components or services with statements different from or beyond the parameters stated by TI for that component or service voids all express and any implied warranties for the associated TI component or service and is an unfair and deceptive business practice. TI is not responsible or liable for any such statements.

Buyer acknowledges and agrees that it is solely responsible for compliance with all legal, regulatory and safety-related requirements concerning its products, and any use of TI components in its applications, notwithstanding any applications-related information or support that may be provided by TI. Buyer represents and agrees that it has all the necessary expertise to create and implement safeguards which anticipate dangerous consequences of failures, monitor failures and their consequences, lessen the likelihood of failures that might cause harm and take appropriate remedial actions. Buyer will fully indemnify TI and its representatives against any damages arising out of the use of any TI components in safety-critical applications.

In some cases, TI components may be promoted specifically to facilitate safety-related applications. With such components, TI's goal is to help enable customers to design and create their own end-product solutions that meet applicable functional safety standards and requirements. Nonetheless, such components are subject to these terms.

No TI components are authorized for use in FDA Class III (or similar life-critical medical equipment) unless authorized officers of the parties have executed a special agreement specifically governing such use.

Only those TI components which TI has specifically designated as military grade or "enhanced plastic" are designed and intended for use in military/aerospace applications or environments. Buyer acknowledges and agrees that any military or aerospace use of TI components which have **not** been so designated is solely at the Buyer's risk, and that Buyer is solely responsible for compliance with all legal and regulatory requirements in connection with such use.

TI has specifically designated certain components as meeting ISO/TS16949 requirements, mainly for automotive use. In any case of use of non-designated products, TI will not be responsible for any failure to meet ISO/TS16949.

### Products

Audio	<a href="http://www.ti.com/audio">www.ti.com/audio</a>
Amplifiers	<a href="http://amplifier.ti.com">amplifier.ti.com</a>
Data Converters	<a href="http://dataconverter.ti.com">dataconverter.ti.com</a>
DLP® Products	<a href="http://www.dlp.com">www.dlp.com</a>
DSP	<a href="http://dsp.ti.com">dsp.ti.com</a>
Clocks and Timers	<a href="http://www.ti.com/clocks">www.ti.com/clocks</a>
Interface	<a href="http://interface.ti.com">interface.ti.com</a>
Logic	<a href="http://logic.ti.com">logic.ti.com</a>
Power Mgmt	<a href="http://power.ti.com">power.ti.com</a>
Microcontrollers	<a href="http://microcontroller.ti.com">microcontroller.ti.com</a>
RFID	<a href="http://www.ti-rfid.com">www.ti-rfid.com</a>
OMAP Applications Processors	<a href="http://www.ti.com/omap">www.ti.com/omap</a>
Wireless Connectivity	<a href="http://www.ti.com/wirelessconnectivity">www.ti.com/wirelessconnectivity</a>

### Applications

Automotive and Transportation	<a href="http://www.ti.com/automotive">www.ti.com/automotive</a>
Communications and Telecom	<a href="http://www.ti.com/communications">www.ti.com/communications</a>
Computers and Peripherals	<a href="http://www.ti.com/computers">www.ti.com/computers</a>
Consumer Electronics	<a href="http://www.ti.com/consumer-apps">www.ti.com/consumer-apps</a>
Energy and Lighting	<a href="http://www.ti.com/energy">www.ti.com/energy</a>
Industrial	<a href="http://www.ti.com/industrial">www.ti.com/industrial</a>
Medical	<a href="http://www.ti.com/medical">www.ti.com/medical</a>
Security	<a href="http://www.ti.com/security">www.ti.com/security</a>
Space, Avionics and Defense	<a href="http://www.ti.com/space-avionics-defense">www.ti.com/space-avionics-defense</a>
Video and Imaging	<a href="http://www.ti.com/video">www.ti.com/video</a>

### TI E2E Community

[e2e.ti.com](http://e2e.ti.com)