

AN-1883 LM7705 Evaluation Board

1 General Description

This evaluation board is designed to demonstrate the functionality of Texas Instruments LM7705 Low Noise Negative Bias Generator. The board has a dual Operational Amplifier that can be connected to ground or biased with the on board LM7705. In the last case a True zero amplifier is demonstrated.

2 Basic Operation

The LM7705 is a switched capacitor voltage inverter with a low noise, -0.23V fixed negative voltage regulator. This device is designed to be used with low voltage amplifiers to enable the amplifiers output to swing to zero volts, having a single supply. The -0.23 Volts is used to supply the negative supply pin of an amplifier. Rail-to-rail output amplifiers cannot output zero voltage when operating from a single supply voltage and can result in error accumulation due to amplifier output saturation voltage being amplified by following gain stages. A small negative supply voltage will prevent the amplifiers output from saturating at zero volts and will help maintain an accurate zero through a signal processing chain. This is illustrated in Figure 1.

Additionally when an amplifier is used to drive an ADC's input, it can output a zero voltage signal and the full input range of an ADC can be used. The LM7705 has a shutdown pin to minimize standby power consumption.

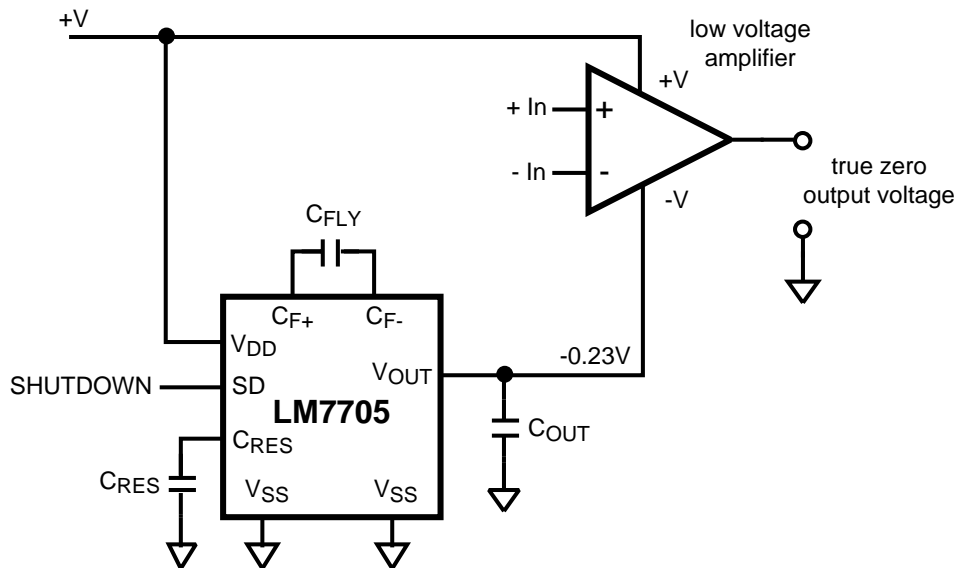


Figure 1. Typical LM7705 Application

3 Layout Considerations

Careful consideration for circuitry design and PCB layout will eliminate problems and will optimize the performance of the LM7705.

To ensure a clean supply voltage it is best to place decoupling capacitors close to the LM7705, between V_{DD} and V_{SS} . Another important issue is the value of the capacitors C_{FLY} , C_{RES} and C_{OUT} . In order to minimize the output voltage ripple low ESR capacitors are recommended.

4 LM7705 Evaluation Board Schematic

Figure 2 shows the schematic of the evaluation board.

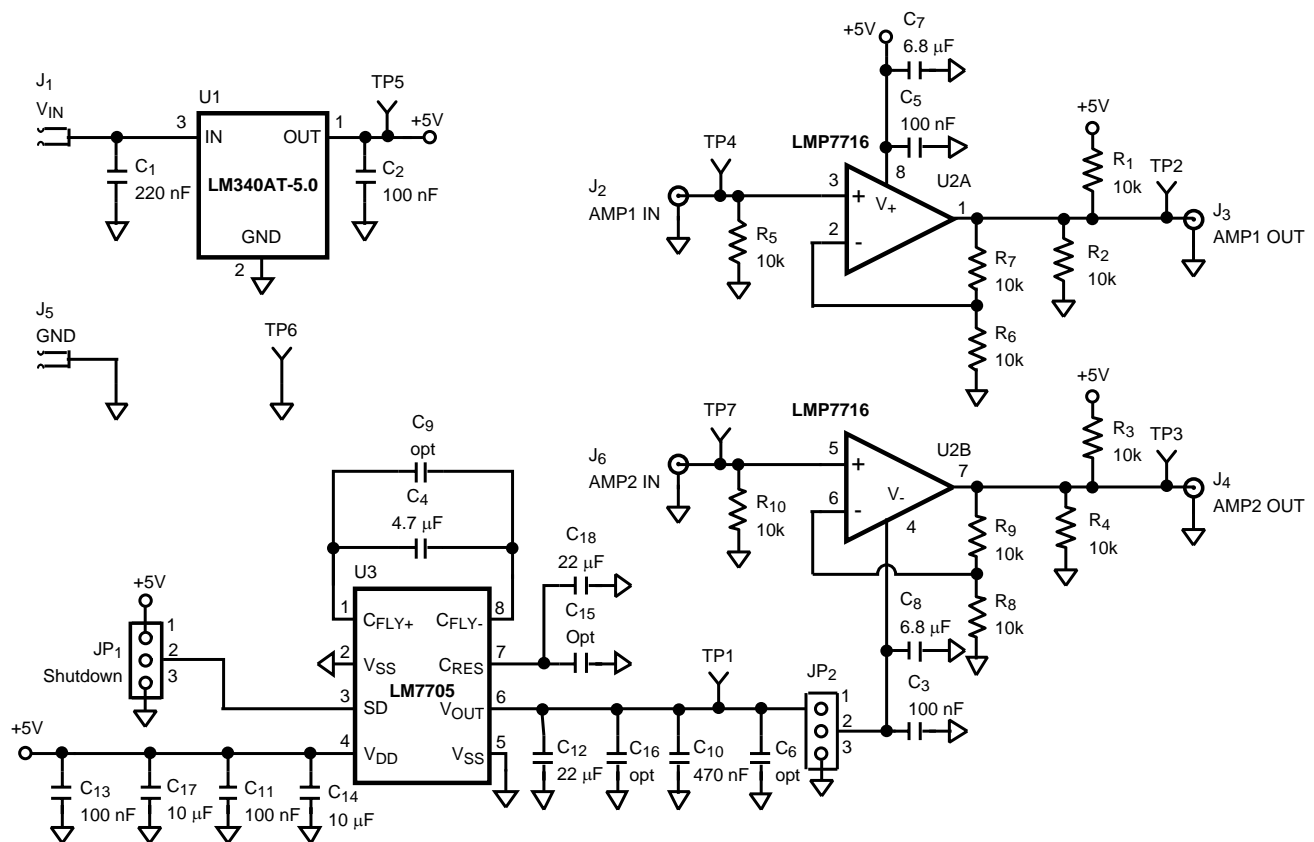


Figure 2. Schematic of the LM7705 Evaluation Board

5 LM7705 Evaluation Board Layout

The layout of the evaluation board is given in [Figure 3](#).

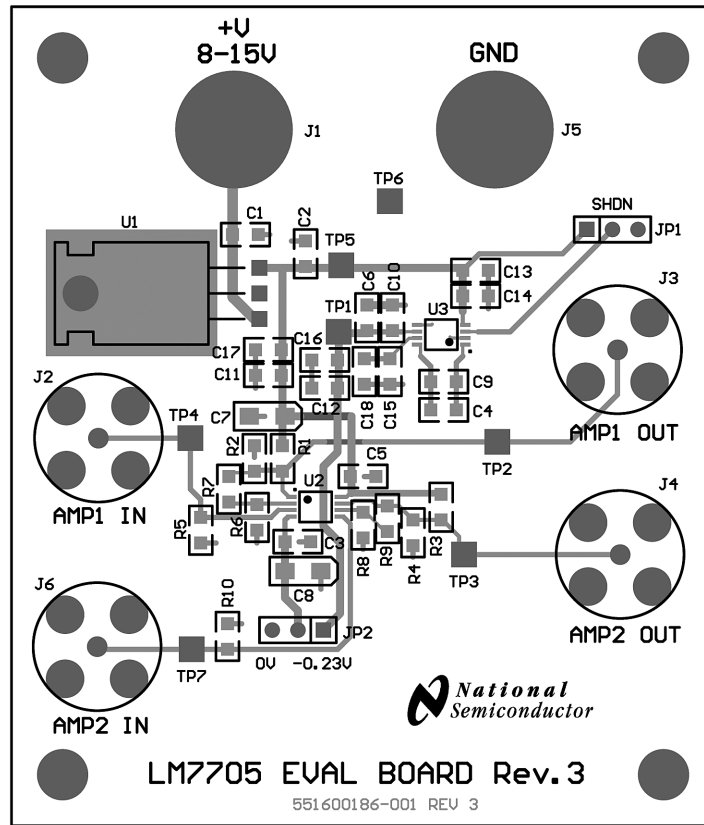


Figure 3. Layout of the LM7705 Evaluation Board

6 Bill of Materials

Table 1 lists the Bill of Materials of the evaluation board.

Table 1. Bill of Materials

Designator	Description	Comment
R1, R2, R3, R4, R5, R6, R7, R8, R9, R10	0805 Resistor	10 kΩ
TP1, TP2, TP3, TP4, TP5, TP7	testpoint	white
TP6	testpoint	black
JP1, JP2	3 PIN header	
J1, J5	Jack connector	staking .350
J2, J3, J4, J6	BNC	
U1	LM340	TO-220
U2	LM7716	VSSOP-8
U3	LM7705	VSSOP-8
C1	0805 capacitor	220 nF
C2, C3, C5, C11, C13	0805 capacitor	100 nF
C4	0805 capacitor	4.7 uF
C14, C17	0805 capacitor	10 uF
C12, C18	0805 capacitor	22 uF
C6, C9, C15, C16	Not Stuffed	
C7, C8	3216 capacitor	6.8 uF
C10	0805 capacitor	470 nF

7 Measurement Procedure

The performance improvement of an op amp (the device acts as a real True-zero amplifier, using the LM7705 for the biasing of the negative supply pin of the op amp), is shown in this section. The setup used for these measurements is given in Figure 4.

A supply voltage between 8V to 16V is provided to connector J1. The ground connection is wired to J5. The on board 5V regulator provides a constant supply voltage for the op amps and the LM7705. The LM7705 can be activated by placing jumper JP1 in position 2-3. A signal generator is connected to J6 and generates a DC signal varying with a low frequency, with an amplitude of 25 mV_{pp} , and an offset of 12.5 mV. Both amplifier U2A and U2B have a fixed gain setting of 2x. The output signal of the amplifier (J4) can be observed with a digitizing oscilloscope or an Analog to digital Converter board and processing software. The voltage level of the negative supply voltage pin of the op amps can be selected with jumper JP2. Placing JP2 in position 1-2, will provide a voltage of -0.23 to the negative supply voltage pin of the op amp. Placing JP2 in position 2-3 will connect the negative supply voltage pin of the op amp to ground. In this way only the output behavior of amplifier U2B is observed.

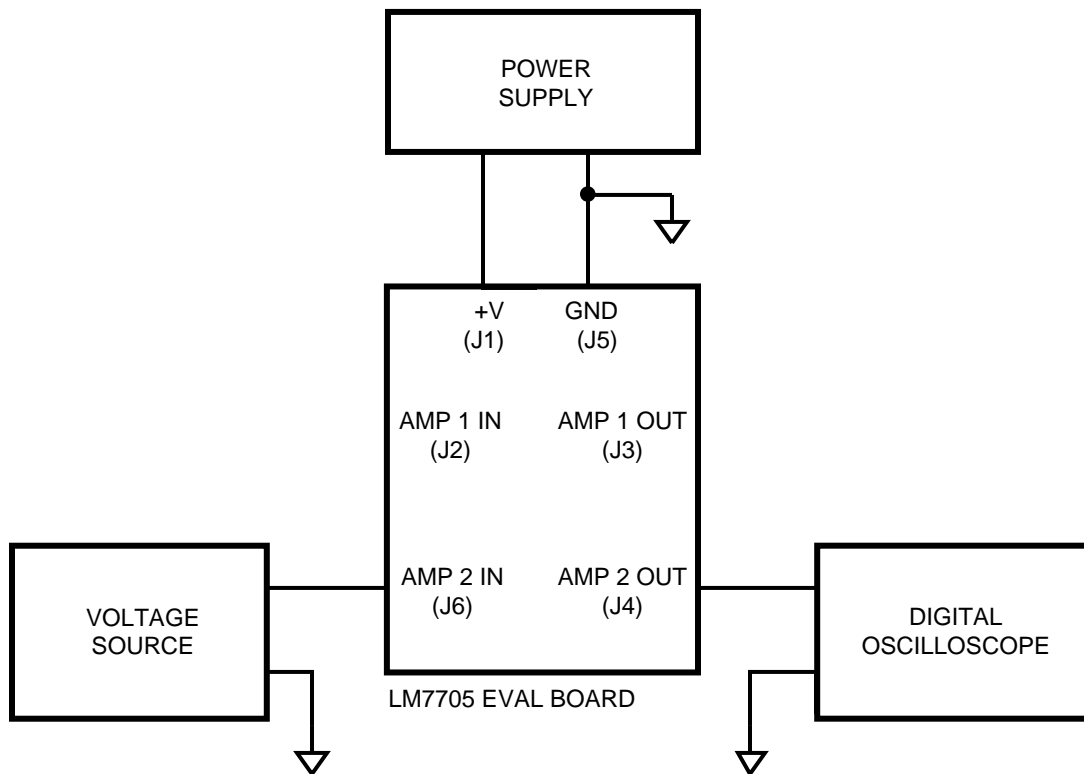


Figure 4. Measurement Setup

8 Measurement Results

Figure 5 and Figure 6 shows the output voltage of op amp U2B without and with the LM7705. Output voltage measurement is performed with a 12 bit ADC.

Figure 5 shows the output voltage of amplifier U2B, when the negative supply pin is connected to ground level. The voltage swing at the low side is limited by the saturation voltage of the amplifier. Figure 6 shows the output voltage swing of amplifier U2B when the negative supply pin is connected to the fixed negative output voltage of the LM7705. Using the LM7705 amplifier U2B can act as a True-zero amplifier.

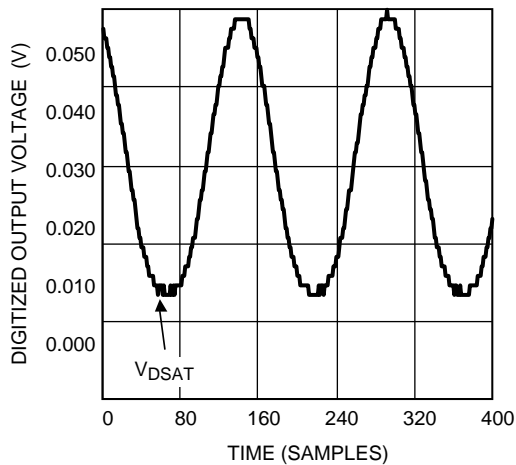


Figure 5. Amplifier Output Voltage without LM7705

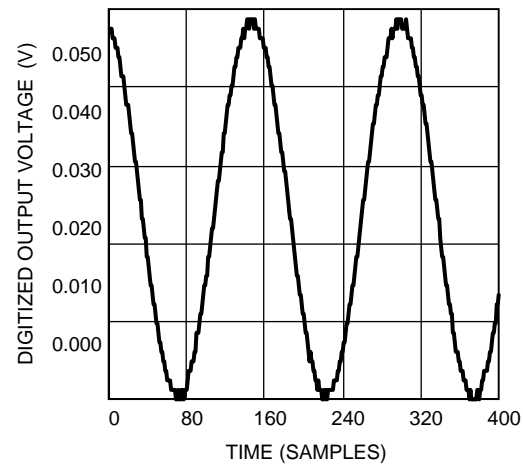


Figure 6. Amplifier Output Voltage with LM7705

IMPORTANT NOTICE

Texas Instruments Incorporated and its subsidiaries (TI) reserve the right to make corrections, enhancements, improvements and other changes to its semiconductor products and services per JESD46, latest issue, and to discontinue any product or service per JESD48, latest issue. Buyers should obtain the latest relevant information before placing orders and should verify that such information is current and complete. All semiconductor products (also referred to herein as "components") are sold subject to TI's terms and conditions of sale supplied at the time of order acknowledgment.

TI warrants performance of its components to the specifications applicable at the time of sale, in accordance with the warranty in TI's terms and conditions of sale of semiconductor products. Testing and other quality control techniques are used to the extent TI deems necessary to support this warranty. Except where mandated by applicable law, testing of all parameters of each component is not necessarily performed.

TI assumes no liability for applications assistance or the design of Buyers' products. Buyers are responsible for their products and applications using TI components. To minimize the risks associated with Buyers' products and applications, Buyers should provide adequate design and operating safeguards.

TI does not warrant or represent that any license, either express or implied, is granted under any patent right, copyright, mask work right, or other intellectual property right relating to any combination, machine, or process in which TI components or services are used. Information published by TI regarding third-party products or services does not constitute a license to use such products or services or a warranty or endorsement thereof. Use of such information may require a license from a third party under the patents or other intellectual property of the third party, or a license from TI under the patents or other intellectual property of TI.

Reproduction of significant portions of TI information in TI data books or data sheets is permissible only if reproduction is without alteration and is accompanied by all associated warranties, conditions, limitations, and notices. TI is not responsible or liable for such altered documentation. Information of third parties may be subject to additional restrictions.

Resale of TI components or services with statements different from or beyond the parameters stated by TI for that component or service voids all express and any implied warranties for the associated TI component or service and is an unfair and deceptive business practice. TI is not responsible or liable for any such statements.

Buyer acknowledges and agrees that it is solely responsible for compliance with all legal, regulatory and safety-related requirements concerning its products, and any use of TI components in its applications, notwithstanding any applications-related information or support that may be provided by TI. Buyer represents and agrees that it has all the necessary expertise to create and implement safeguards which anticipate dangerous consequences of failures, monitor failures and their consequences, lessen the likelihood of failures that might cause harm and take appropriate remedial actions. Buyer will fully indemnify TI and its representatives against any damages arising out of the use of any TI components in safety-critical applications.

In some cases, TI components may be promoted specifically to facilitate safety-related applications. With such components, TI's goal is to help enable customers to design and create their own end-product solutions that meet applicable functional safety standards and requirements. Nonetheless, such components are subject to these terms.

No TI components are authorized for use in FDA Class III (or similar life-critical medical equipment) unless authorized officers of the parties have executed a special agreement specifically governing such use.

Only those TI components which TI has specifically designated as military grade or "enhanced plastic" are designed and intended for use in military/aerospace applications or environments. Buyer acknowledges and agrees that any military or aerospace use of TI components which have **not** been so designated is solely at the Buyer's risk, and that Buyer is solely responsible for compliance with all legal and regulatory requirements in connection with such use.

TI has specifically designated certain components as meeting ISO/TS16949 requirements, mainly for automotive use. In any case of use of non-designated products, TI will not be responsible for any failure to meet ISO/TS16949.

Products

Audio	www.ti.com/audio
Amplifiers	amplifier.ti.com
Data Converters	dataconverter.ti.com
DLP® Products	www.dlp.com
DSP	dsp.ti.com
Clocks and Timers	www.ti.com/clocks
Interface	interface.ti.com
Logic	logic.ti.com
Power Mgmt	power.ti.com
Microcontrollers	microcontroller.ti.com
RFID	www.ti-rfid.com
OMAP Applications Processors	www.ti.com/omap
Wireless Connectivity	www.ti.com/wirelessconnectivity

Applications

Automotive and Transportation	www.ti.com/automotive
Communications and Telecom	www.ti.com/communications
Computers and Peripherals	www.ti.com/computers
Consumer Electronics	www.ti.com/consumer-apps
Energy and Lighting	www.ti.com/energy
Industrial	www.ti.com/industrial
Medical	www.ti.com/medical
Security	www.ti.com/security
Space, Avionics and Defense	www.ti.com/space-avionics-defense
Video and Imaging	www.ti.com/video

TI E2E Community

e2e.ti.com