

LMZ10505EXT 5A SIMPLE SWITCHER® Power Module with 5.5V Maximum Input Voltage for Military and Rugged Applications

Check for Samples: [LMZ10505EXT](#)

FEATURES

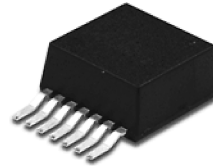
- Integrated Shielded Inductor
- Flexible Startup Sequencing Using External Soft-Start, Tracking, and Precision Enable
- Protection Against In-Rush Currents and Faults such as Input UVLO and Output Short-Circuit
- -55°C to +125°C Junction Temperature Operating Range
- Single Exposed Pad and Standard Pinout for Easy Mounting and Manufacturing
- Pin-to-Pin Compatible with
 - LMZ10503EXT (3A/15W Max)
 - LMZ10504EXT (4A/20W Max)
- Fully Enable for WEBENCH® and Power Designer
- Low Output Voltage Ripple of 10 mV Allows for Powering Noise-Sensitive Transceiver and Signaling ICs
- Fast Transient Response for Powering FPGAs and ASICs

APPLICATIONS

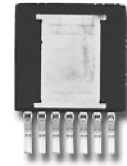
- Point-of-load Conversions from 3.3V and 5V Rails
- Space Constrained Applications
- Extreme Temperatures/No Air Flow Environments
- Noise Sensitive Applications (i.e. Transceiver, Medical)

ELECTRICAL SPECIFICATIONS

- 25W Maximum Total Output Power
- Up to 5A Output Current
- Input Voltage Range 2.95V to 5.5V
- Output Voltage Range 0.8V to 5V
- ±1.63% Feedback Voltage Accuracy Over Temperature
- Efficiency Up to 96%



Isometric View



Bottom View

Figure 1. Easy to Use PFM 7 Pin Package
10.16 x 13.77 x 4.57 mm (0.4 x 0.39 x 0.18 in)
 $\theta_{JA} = 20^{\circ}\text{C/W}$, $\theta_{JC} = 1.9^{\circ}\text{C/W}^{(1)}$
RoHS Compliant
Peak Reflow Case Temp = 245°C
[Power Module SMT Guidelines](#)

PERFORMANCE BENEFITS

- Operates at High Ambient Temperatures
- Low Radiated Emissions (EMI) Complies with EN55022 Class B Standard⁽²⁾
- Passes 10V/m Radiated Immunity EMI Test Standard EN61000 4-3
- Passes Vibration Standard
 - MIL-STD-883 Method 2007.2 Condition A
 - JESD22-B103B Condition 1
- Passes Drop Standard
 - MIL-STD-883 Method 2002.3 Condition B
 - JESD22-B110 Condition B

DESCRIPTION

The LMZ10505EXT SIMPLE SWITCHER® power module is a complete, easy-to-use DC-DC solution capable of driving up to a 5A load with exceptional power conversion efficiency, output voltage accuracy, line and load regulation. The LMZ10505EXT is available in an innovative package that enhances thermal performance and allows for hand or machine soldering.

- (1) θ_{JA} measured on a 2.25" x 2.25" (5.8 cm x 5.8 cm) four layer board. Refer to [PCB Layout Diagrams](#) or Evaluation Board Application Note: AN-2074 SNVA450.
- (2) EN 55022:2006, +A1:2007, FCC Part 15 Subpart B: 2007. See [Figure 22](#) and layout for information on device under test.



Please be aware that an important notice concerning availability, standard warranty, and use in critical applications of Texas Instruments semiconductor products and disclaimers thereto appears at the end of this data sheet.

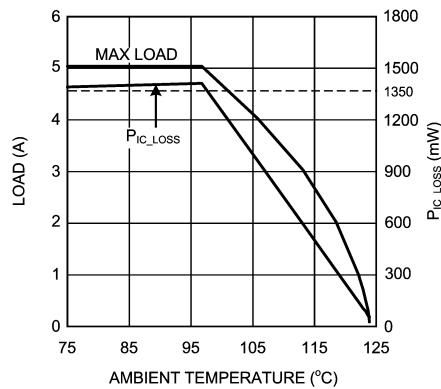
All trademarks are the property of their respective owners.

DESCRIPTION (CONTINUED)

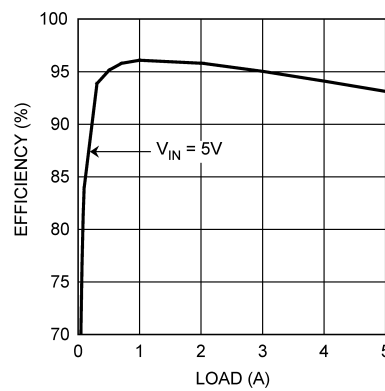
The LMZ10505EXT can accept an input voltage rail between 2.95V and 5.5V and deliver an adjustable and highly accurate output voltage as low as 0.8V. One megahertz fixed frequency PWM switching provides a predictable EMI characteristic. Two external compensation components can be adjusted to set the fastest response time, while allowing the option to use ceramic and/or electrolytic output capacitors. Externally programmable soft-start capacitor facilitates controlled startup. The LMZ10505EXT is a reliable and robust solution with the following features: lossless cycle-by-cycle peak current limit to protect for over current or short-circuit fault, thermal shutdown, input under-voltage lock-out, and pre-biased startup.

System Performance

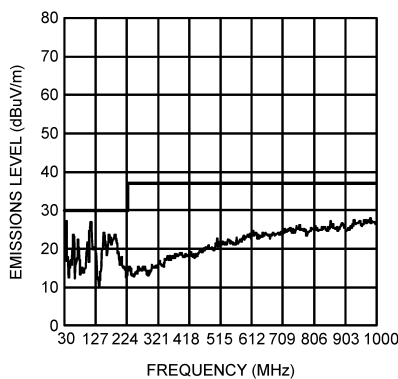
Current Derating ($V_{OUT} = 3.3V$)



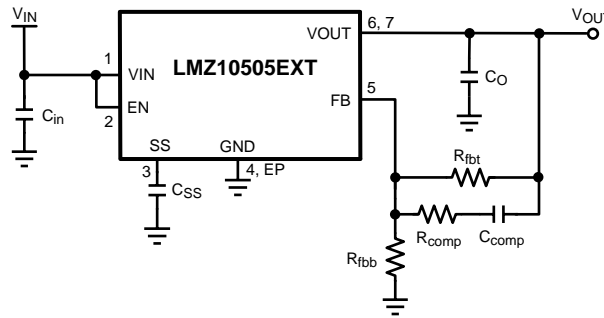
Efficiency ($V_{OUT} = 3.3V$)



Radiated Emissions (EN 55022, Class B)



Typical Application Circuit



Connection Diagram

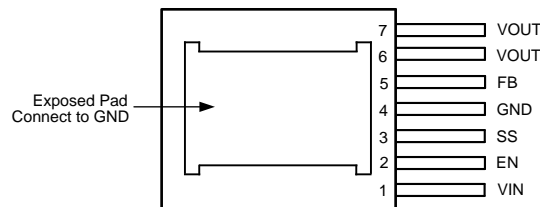


Figure 2. Top View 7-Lead PFM

PIN DESCRIPTIONS

Pin Number	Name	Description
1	VIN	A low ESR input capacitance should be located as close as possible to VIN pin and GND pin.
2	EN	Active high enable input for the device.
3	SS	Soft-start control pin. An internal 2 uA current source charges and external capacitor connected between this pin and GND (pin 4) to set the output voltage ramp rate during startup. This pin can also be used to configure the tracking feature.
4	GND	Power ground and signal ground. Connect the bottom feedback resistor between this pin and the feedback pin.
5	FB	Feedback pin. This is the inverting input of the error amplifier used for sensing the output voltage.
6, 7	VOUT	This is the output of the internal inductor. Connect an external resistor voltage divider from VOUT to FB to ground.
EP	Exposed Pad	Exposed pad thermal connection. Connect this pad to the PC board ground plane in order to reduce thermal resistance value. It also provides an electrical connection to the input and output capacitors ground terminals.



These devices have limited built-in ESD protection. The leads should be shorted together or the device placed in conductive foam during storage or handling to prevent electrostatic damage to the MOS gates.

Absolute Maximum Ratings⁽¹⁾

VIN, VOUT, EN, FB, SS to GND	-0.3V to 6.0V
ESD Susceptibility ⁽²⁾	±2 kV
Power Dissipation	Internally Limited
Junction Temperature	150°C
Storage Temperature Range	-65°C to 150°C
Peak Reflow Case Temperature (30 sec)	245°C

For soldering specifications, refer to the following document: www.ti.com/lit/snoa549c

- (1) Absolute Maximum Ratings are limits beyond which damage to the device may occur. Operating Ratings are conditions under which operation of the device is intended to be functional. For ensured specifications and test conditions, see the Electrical Characteristics.
- (2) The human body model is a 100 pF capacitor discharged through a 1.5 kΩ resistor into each pin. Test method is per JESD22-A114S.

Operating Ratings⁽¹⁾

V _{IN} to GND	2.95V to 5.5V
Junction Temperature (T _J)	-55°C to 125°C

- (1) Absolute Maximum Ratings are limits beyond which damage to the device may occur. Operating Ratings are conditions under which operation of the device is intended to be functional. For ensured specifications and test conditions, see the Electrical Characteristics.

Electrical Characteristics

Specifications with standard typeface are for T_J = 25°C only; limits in bold face type apply over the operating junction temperature range T_J of -55°C to 125°C. Minimum and maximum limits are ensured through test, design, or statistical correlation. Typical values represent the most likely parametric norm at T_J = 25°C, and are provided for reference purposes only. V_{IN} = V_{EN} = 3.3V, unless otherwise indicated in the conditions column.

Symbol	Parameter	Conditions	Min (1)	Typ (2)	Max (1)	Units
SYSTEM PARAMETERS						
V _{FB}	Total Feedback Voltage Variation Including Line and Load Regulation	V _{IN} = 2.95V to 5.5V V _{OUT} = 2.5V I _{OUT} = 0A to 5A	0.78	0.8	0.82	V
V _{FB}	Feedback Voltage Variation	V _{IN} = 3.3V, V _{OUT} = 2.5V I _{OUT} = 0A	0.787	0.8	0.812	V
V _{FB}	Feedback Voltage Variation	V _{IN} = 3.3V, V _{OUT} = 2.5V I _{OUT} = 5A	0.785	0.798	0.81	V
V _{IN(UVLO)}	Input UVLO Threshold (Measured at V _{IN} pin)	Rising		2.6	2.95	V
		Falling	1.95	2.4		
I _{SS}	Soft-Start Current	Charging Current		2		μA
I _Q	Non-Switching Input Current	V _{FB} = 1V		1.55	3	mA
I _{SD}	Shut Down Quiescent Current	V _{IN} = 5.5V, V _{EN} = 0V		267	500	μA
I _{OCL}	Output Current Limit (Average Current)	V _{OUT} = 2.5V	5.1	7.3	8.7	A
f _{FB}	Frequency Fold-back	In current limit		250		kHz
PWM SECTION						
f _{SW}	Switching Frequency		700	1000	1160	kHz
D _{range}	PWM Duty Cycle Range		0		100	%
ENABLE CONTROL						
V _{EN-IH}	EN Pin Rising Threshold			1.23	1.8	V
V _{EN-IF}	EN Pin Falling Threshold		0.8	1.06		V
THERMAL CONTROL						
T _{SD}	T _J for Thermal Shutdown			145		°C
T _{SD-HYS}	Hysteresis for Thermal Shutdown			10		°C
THERMAL RESISTANCE						
θ _{JA}	Junction to Ambient ⁽³⁾⁽⁴⁾	See ⁽³⁾		20		°C/W
θ _{JC}	Junction to Case	No air flow		1.9		°C/W

- (1) Min and Max limits are 100% production tested at an ambient temperature (T_A) of 25°C. Limits over the operating temperature range are ensured through correlation using Statistical Quality Control (SQC) methods. Limits are used to calculate Average Outgoing Quality Level (AOQL).
- (2) Typical numbers are at 25°C and represent the most likely parametric normal.
- (3) θ_{JA} measured on a 2.25" x 2.25" (5.8 cm x 5.8 cm) four layer board. Refer to [PCB Layout Diagrams](#) or Evaluation Board Application Note: AN-2074 [SNVA450](#).
- (4) θ_{JA} measured on a 2.25" x 2.25" (5.8 cm x 5.8 cm) four layer board, with one ounce copper, thirty six thermal vias, no air flow, and 1W power dissipation. Refer to Evaluation Board Application Note: AN-2074 [SNVA450](#).

Electrical Characteristics

Specifications with standard typeface are for $T_J = 25^\circ\text{C}$ only; limits in bold face type apply over the operating junction temperature range T_J of -55°C to 125°C . Minimum and maximum limits are ensured through test, design, or statistical correlation. Typical values represent the most likely parametric norm at $T_J = 25^\circ\text{C}$, and are provided for reference purposes only. $V_{IN} = V_{EN} = 3.3\text{V}$, unless otherwise indicated in the conditions column.

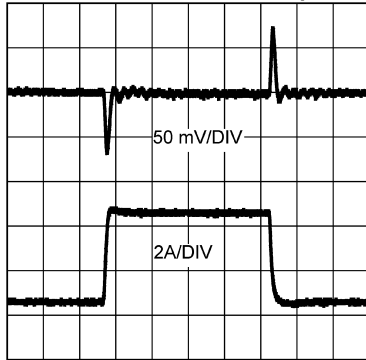
Symbol	Parameter	Conditions	Min (1)	Typ (2)	Max (1)	Units
PERFORMANCE PARAMETERS						
ΔV_{OUT}	Output Voltage Ripple	Refer to Table 3 $V_{OUT} = 2.5\text{V}$ Bandwidth Limit = 2 MHz		10		mV _{pk-pk}
ΔV_{OUT}	Output Voltage Ripple	Refer to Table 5 Bandwidth Limit = 20 MHz		5		mV _{pk-pk}
$\Delta V_{FB} / V_{FB}$	Feedback Voltage Line Regulation	$\Delta V_{IN} = 2.95\text{V}$ to 5.5V $I_{OUT} = 0\text{A}$		0.04		%
$\Delta V_{OUT} / V_{OUT}$	Output Voltage Line Regulation	$\Delta V_{IN} = 2.95\text{V}$ to 5.5V $I_{OUT} = 0\text{A}$, $V_{OUT} = 2.5\text{V}$		0.04		%
$\Delta V_{FB} / V_{FB}$	Feedback Voltage Load Regulation	$I_{OUT} = 0\text{A}$ to 5A		0.25		%
$\Delta V_{OUT} / V_{OUT}$	Output Voltage Load Regulation	$I_{OUT} = 0\text{A}$ to 5A $V_{OUT} = 2.5\text{V}$		0.25		%
Efficiency						
η	Peak Efficiency (1A) $V_{IN} = 5\text{V}$	$V_{OUT} = 3.3\text{V}$		96.1		%
		$V_{OUT} = 2.5\text{V}$		94.8		
		$V_{OUT} = 1.8\text{V}$		93.1		
		$V_{OUT} = 1.5\text{V}$		92		
		$V_{OUT} = 1.2\text{V}$		90.4		
		$V_{OUT} = 0.8\text{V}$		86.8		
η	Peak Efficiency (1A) $V_{IN} = 3.3\text{V}$	$V_{OUT} = 2.5\text{V}$		95.7		%
		$V_{OUT} = 1.8\text{V}$		94.1		
		$V_{OUT} = 1.5\text{V}$		93.0		
		$V_{OUT} = 1.2\text{V}$		91.6		
		$V_{OUT} = 0.8\text{V}$		88.3		
η	Full Load Efficiency (5A) $V_{IN} = 5\text{V}$	$V_{OUT} = 3.3\text{V}$		93.1		%
		$V_{OUT} = 2.5\text{V}$		91.2		
		$V_{OUT} = 1.8\text{V}$		88.5		
		$V_{OUT} = 1.5\text{V}$		86.7		
		$V_{OUT} = 1.2\text{V}$		84.1		
η	Full Load Efficiency (5A) $V_{IN} = 3.3\text{V}$	$V_{OUT} = 2.5\text{V}$		89.8		%
		$V_{OUT} = 1.8\text{V}$		86.9		
		$V_{OUT} = 1.5\text{V}$		85.1		
		$V_{OUT} = 1.2\text{V}$		82.5		
		$V_{OUT} = 0.8\text{V}$		76.2		

- (1) Min and Max limits are 100% production tested at an ambient temperature (T_A) of 25°C . Limits over the operating temperature range are ensured through correlation using Statistical Quality Control (SQC) methods. Limits are used to calculate Average Outgoing Quality Level (AOQL).
- (2) Typical numbers are at 25°C and represent the most likely parametric normal.

Typical Performance Characteristics

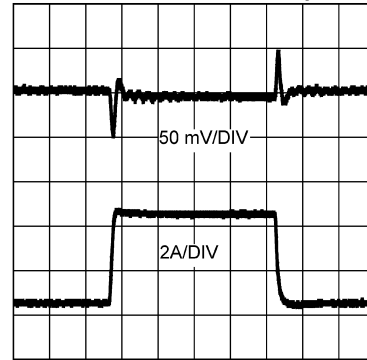
Unless otherwise specified, the following conditions apply: $V_{IN} = V_{EN} = 5.0V$, C_{IN} is 47 μF 10V X5R ceramic capacitor; $T_{AMBIENT} = 25^{\circ}C$ for efficiency curves and waveforms.

Load Transient Response
 $V_{IN} = 3.3V$, $V_{OUT} = 2.5V$, $I_{OUT} = 0.5A$ to $4.5A$ to $0.5A$ step
 20 MHz Bandwidth Limited
 Refer to [Table 5](#) for BOM, includes optional components



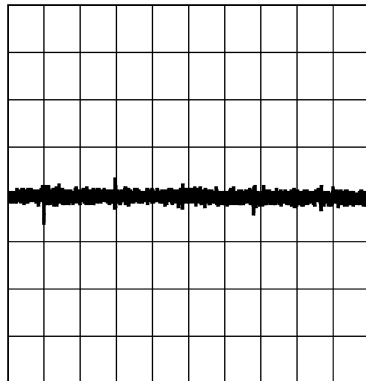
100 $\mu s/DIV$
Figure 3.

Load Transient Response
 $V_{IN} = 5.0V$, $V_{OUT} = 2.5V$, $I_{OUT} = 0.5A$ to $4.5A$ to $0.5A$ step
 20 MHz Bandwidth Limited
 Refer to [Table 5](#) for BOM, includes optional components



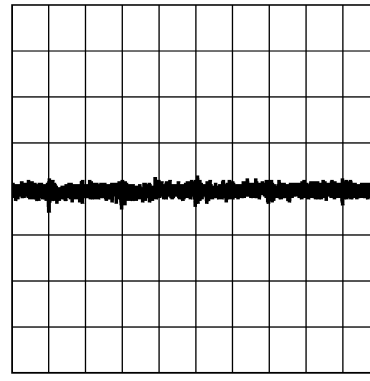
100 $\mu s/DIV$
Figure 4.

Output Voltage Ripple
 $V_{IN} = 3.3V$, $V_{OUT} = 2.5V$, $I_{OUT} = 5A$, 20 mV/DIV
 Refer to [Table 5](#) for BOM



500 ns/DIV
Figure 5.

Output Voltage Ripple
 $V_{IN} = 5.0V$, $V_{OUT} = 2.5V$, $I_{OUT} = 5A$, 20 mV/DIV
 Refer to [Table 5](#) for BOM



500 ns/DIV
Figure 6.

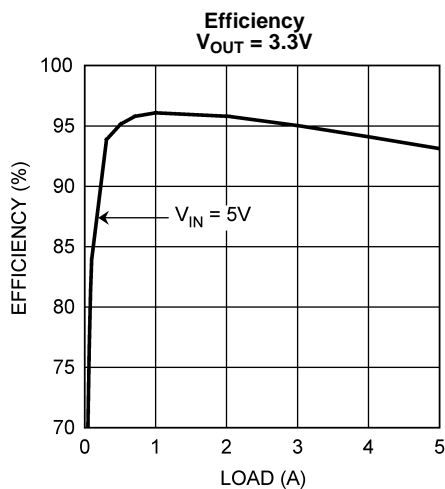


Figure 7.

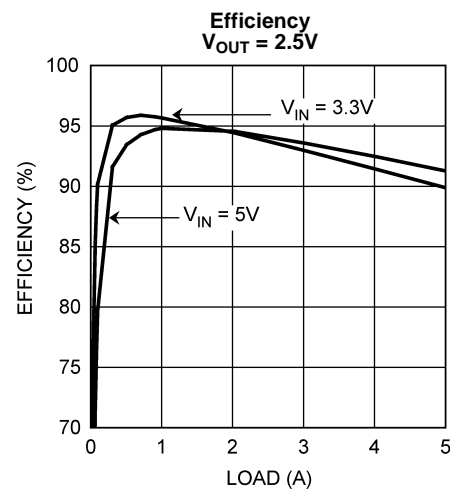


Figure 8.

Typical Performance Characteristics (continued)

Unless otherwise specified, the following conditions apply: $V_{IN} = V_{EN} = 5.0V$, C_{IN} is 47 μF 10V X5R ceramic capacitor; $T_{AMBIENT} = 25^{\circ}C$ for efficiency curves and waveforms.

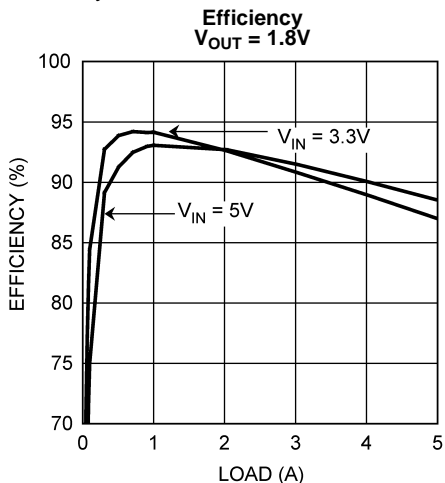


Figure 9.

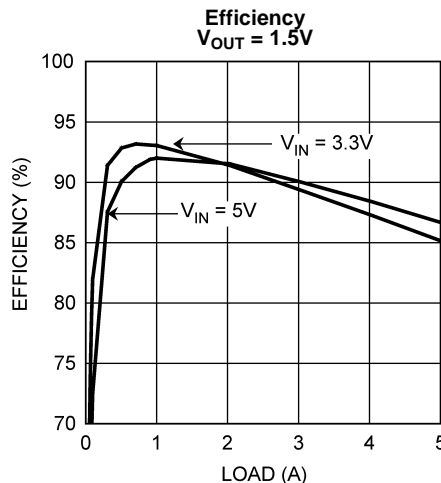


Figure 10.

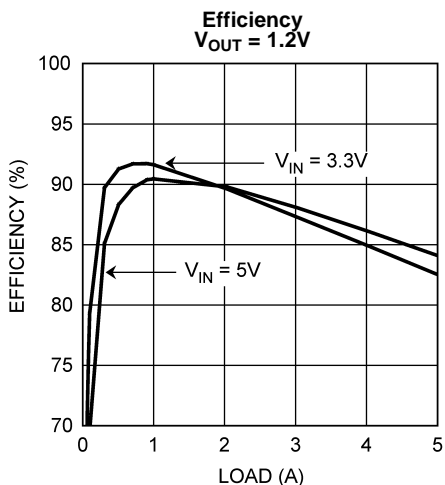


Figure 11.

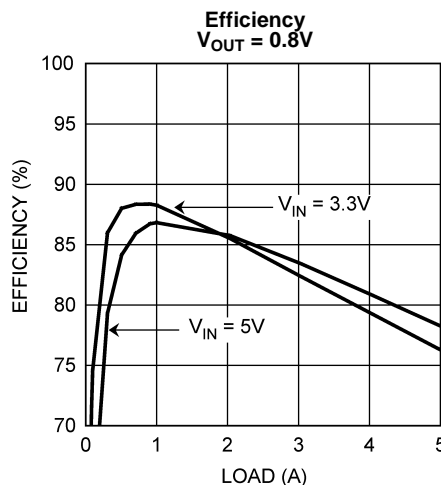


Figure 12.

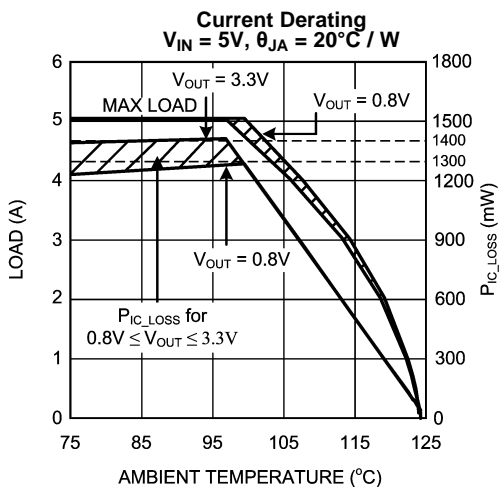


Figure 13.

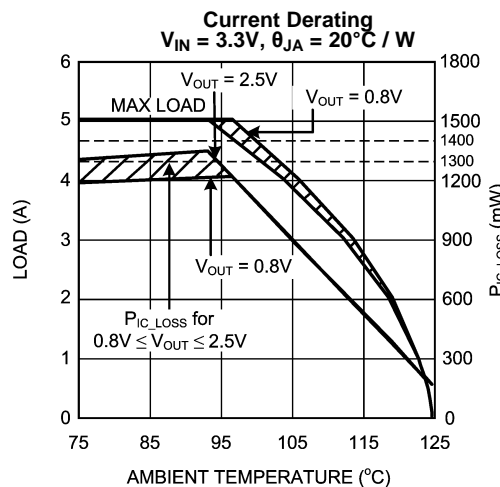


Figure 14.

Typical Performance Characteristics (continued)

Unless otherwise specified, the following conditions apply: $V_{IN} = V_{EN} = 5.0V$, C_{IN} is 47 μF 10V X5R ceramic capacitor; $T_{AMBIENT} = 25^{\circ}C$ for efficiency curves and waveforms.

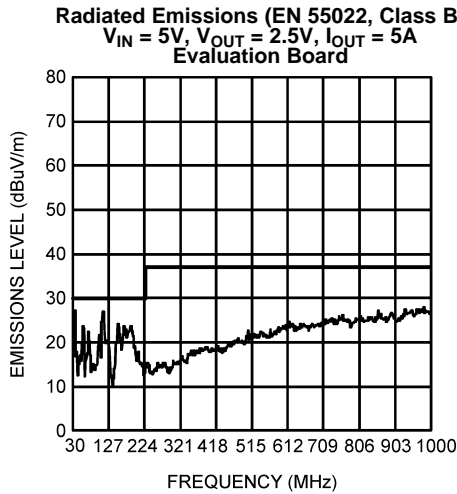


Figure 15.

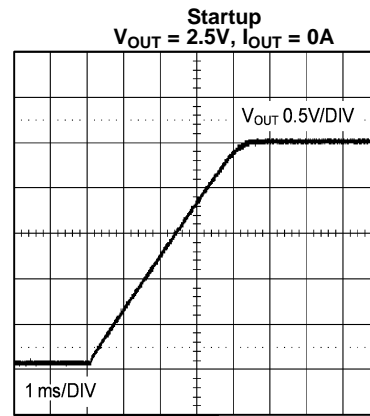


Figure 16.

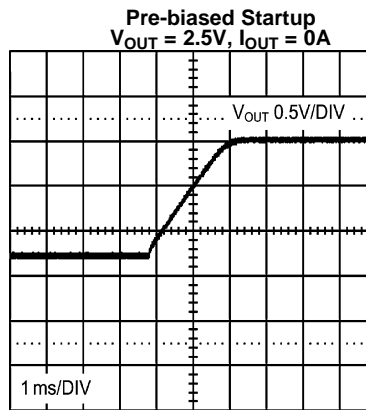
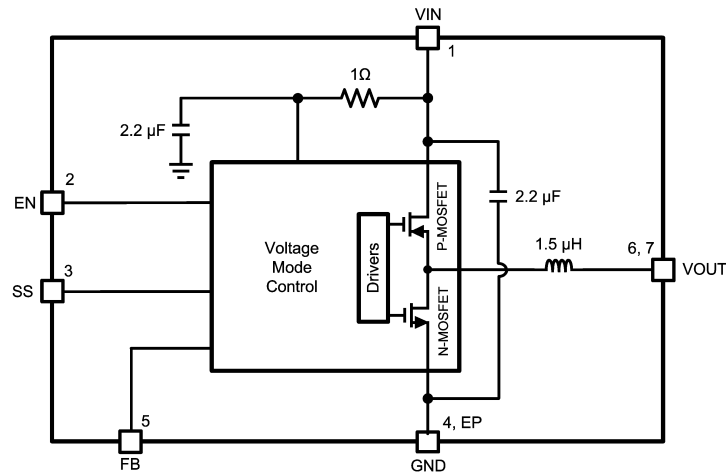


Figure 17.

BLOCK DIAGRAM



Design Guideline And Operating Description

Design Steps

LMZ10505EXT is fully supported by Webench® and offers the following: component selection, performance, electrical, and thermal simulations as well as the Build-It board, for a reduced design time. On the other hand, all external components can be calculated by following the design procedure below.

1. Determine the input voltage and output voltage. Also, make note of the ripple voltage and voltage transient requirements.
2. Determine the necessary input and output capacitance.
3. Calculate the feedback resistor divider.
4. Select the optimized compensation component values.
5. Estimate the power dissipation and board thermal requirements.
6. Follow the PCB design guideline.
7. Learn about the LMZ10505EXT features such as enable, input UVLO, soft-start, tracking, pre-biased startup, current limit, and thermal shutdown.

Design Example

For this example the following application parameters exist.

- $V_{IN} = 5V$
- $V_{OUT} = 2.5V$
- $I_{OUT} = 5A$
- $\Delta V_{OUT} = 20 \text{ mV}_{pk-pk}$
- $\Delta V_{o_tran} = \pm 20 \text{ mV}_{pk-pk}$

Input Capacitor Selection

A 22 μF or 47 μF high quality dielectric (X5R, X7R) ceramic capacitor rated at twice the maximum input voltage is typically sufficient. The input capacitor must be placed as close as possible to the VIN pin and GND exposed pad to substantially eliminate the parasitic effects of any stray inductance or resistance on the PC board and supply lines.

Neglecting capacitor equivalent series resistance (ESR), the resultant input capacitor AC ripple voltage is a triangular waveform. The minimum input capacitance for a given peak-to-peak value (ΔV_{IN}) of V_{IN} is specified as follows:

$$C_{in} \geq \frac{I_{OUT} \times D \times (1 - D)}{f_{SW} \times \Delta V_{IN}} \quad (1)$$

where the PWM duty cycle, D, is given by:

$$D = \frac{V_{OUT}}{V_{IN}} \quad (2)$$

If ΔV_{IN} is 1% of V_{IN} , this equals to 50 mV and $f_{SW} = 1$ MHz

$$C_{in} \geq \frac{5A \times \left(\frac{2.5V}{5V}\right) \times \left(1 - \frac{2.5V}{5V}\right)}{1 \text{ MHz} \times 50 \text{ mV}} \geq 25 \mu\text{F} \quad (3)$$

A second criteria before finalizing the C_{in} bypass capacitor is the RMS current capability. The necessary RMS current rating of the input capacitor to a buck regulator can be estimated by

$$I_{Cin(RMS)} = I_{OUT} \times \sqrt{D(1-D)} \quad (4)$$

$$I_{Cin(RMS)} = 5A \times \sqrt{\frac{2.5V}{5V} \left(1 - \frac{2.5V}{5V}\right)} = 2.5A \quad (5)$$

With this high AC current present in the input capacitor, the RMS current rating becomes an important parameter. The maximum input capacitor ripple voltage and RMS current occur at 50% duty cycle. Select an input capacitor rated for at least the maximum calculated $I_{Cin(RMS)}$.

Additional bulk capacitance with higher ESR may be required to damp any resonance effects of the input capacitance and parasitic inductance.

Output Capacitor Selection

In general, 22 μF to 100 μF high quality dielectric (X5R, X7R) ceramic capacitor rated at twice the maximum output voltage is sufficient given the optimal high frequency characteristics and low ESR of ceramic dielectrics. Although, the output capacitor can also be of electrolytic chemistry for increased capacitance density.

Two output capacitance equations are required to determine the minimum output capacitance. One equation determines the output capacitance (C_O) based on PWM ripple voltage. The second equation determines C_O based on the load transient characteristics. Select the largest capacitance value of the two.

The minimum capacitance, given the maximum output voltage ripple (ΔV_{OUT}) requirement, is determined by the following equation:

$$\Delta C_{OUT} = \frac{\Delta i_L}{8 \times f_{SW} \times [\Delta V_{OUT} - (\Delta i_L \times R_{ESR})]} \quad (6)$$

Where the peak to peak inductor current ripple (Δi_L) is equal to:

$$\Delta i_L = \frac{(V_{IN} - V_{OUT}) \times D}{L \times f_{SW}} \quad (7)$$

R_{ESR} is the total output capacitor ESR, L is the inductance value of the internal power inductor, where $L = 1.5$ μH , and $f_{SW} = 1$ MHz. Therefore, per the design example:

$$\Delta i_L = \frac{(5V - 2.5V) \times \frac{2.5V}{5V}}{1.5 \mu\text{H} \times 1 \text{ MHz}} = 833 \text{ mA} \quad (8)$$

The minimum output capacitance requirement due to the PWM ripple voltage is:

$$C_O \geq \frac{833 \text{ mA}}{8 \times 1 \text{ MHz} \times [20 \text{ mV} - (833 \text{ mA} \times 3 \text{ m}\Omega)]} \quad (9)$$

$$C_O \geq 6 \mu\text{F} \quad (10)$$

Three milliohms is a typical R_{ESR} value for ceramic capacitors.

The following equation provides a good first pass capacitance requirement for a load transient:

$$C_O \geq \frac{I_{step} \times V_{FB} \times L \times V_{IN}}{4 \times V_{OUT} \times (V_{IN} - V_{OUT}) \times \Delta V_{o_tran}} \quad (11)$$

Where I_{step} is the peak to peak load step (10% to 90% of the maximum load for this example), $V_{FB} = 0.8V$, and ΔV_{o_tran} is the maximum output voltage deviation, which is ± 20 mV.

Therefore the capacitance requirement for the given design parameters is:

$$C_o \geq \frac{4A \times 0.8V \times 1.5 \mu H \times 5V}{4 \times 2.5V \times (5V - 2.5V) \times 20 \text{ mV}} \quad (12)$$

$$C_o \geq 48 \mu F \quad (13)$$

In this particular design the output capacitance is determined by the load transient requirements.

[Table 1](#) lists some examples of commercially available capacitors that can be used with the LMZ10505EXT.

Table 1. Recommended Output Filter Capacitors

C _o (μF)	Voltage (V), R _{ESR} (mΩ)	Make	Manufacturer	Part Number	Case Size
22	6.3, < 5	Ceramic, X5R	TDK	C3216X5R0J226M	1206
47	6.3, < 5	Ceramic, X5R	TDK	C3216X5R0J476M	1206
47	6.3, < 5	Ceramic, X5R	TDK	C3225X5R0J476M	1210
47	10.0, < 5	Ceramic, X5R	TDK	C3225X5R1A476M	1210
100	6.3, < 5	Ceramic, X5R	TDK	C3225X5R0J107M	1210
100	6.3, 50	Tantalum	AVX	TPSD157M006#0050	D, 7.5 x 4.3 x 2.9 mm
100	6.3, 25	Organic Polymer	Sanyo	6TPE100MPB2	B2, 3.5 x 2.8 x 1.9 mm
150	6.3, 18	Organic Polymer	Sanyo	6TPE150MIC2	C2, 6.0 x 3.2 x 1.8 mm
330	6.3, 18	Organic Polymer	Sanyo	6TPE330MIL	D3L, 7.3 x 4.3 x 2.8 mm
470	6.3, 23	Niobium Oxide	AVX	NOME37M006#0023	E, 7.3 x 4.3 x 4.1 mm

Output Voltage Setting

A resistor divider network from V_{OUT} to the FB pin determines the desired output voltage as follows:

$$V_{OUT} = 0.8V \times \frac{R_{fbt} + R_{fbb}}{R_{fbb}} \quad (14)$$

R_{fbt} is defined based on the voltage loop requirements and R_{fbb} is then selected for the desired output voltage. Resistors are normally selected as 0.5% or 1% tolerance. Higher accuracy resistors such as 0.1% are also available.

The feedback voltage (at V_{OUT} = 2.5V) is accurate to within -2.5% / +2.5% over temperature and over line and load regulation. Additionally, the LMZ10505EXT contains error nulling circuitry to substantially eliminate the feedback voltage variation over temperature as well as the long term aging effects of the internal amplifiers. In addition the zero nulling circuit dramatically reduces the 1/f noise of the bandgap amplifier and reference. The manifestation of this circuit action is that the duty cycle will have two slightly different but distinct operating points, each evident every other switching cycle.

Loop Compensation

The LMZ10505EXT preserves flexibility by integrating the control components around the internal error amplifier while utilizing three small external compensation components from V_{OUT} to FB. An integrated type II (two pole, one zero) voltage-mode compensation network is featured. To ensure stability, an external resistor and small value capacitor can be added across the upper feedback resistor as a pole-zero pair to complete a type III (three pole, two zero) compensation network. The compensation components recommended in [Table 2](#) provide type III compensation at an optimal control loop performance. The typical phase margin is 45° with a bandwidth of 80 kHz. Calculated output capacitance values not listed in [Table 2](#) should be verified before designing into production. A detailed application note is available to provide verification support, AN-2013 [SNVA417](#). In general, calculated output capacitance values below the suggested value will have reduced phase margin and higher control loop bandwidth. Output capacitance values above the suggested values will experience a lower bandwidth and increased phase margin. Higher bandwidth is associated with faster system response to sudden changes such as load transients. Phase margin changes the characteristics of the response. Lower phase margin is associated with underdamped ringing and higher phase margin is associated with overdamped response. Losing all phase margin will cause the system to be unstable; an optimized area of operation is 30° to 60° of phase margin, with a bandwidth of 100 kHz ±20 kHz.

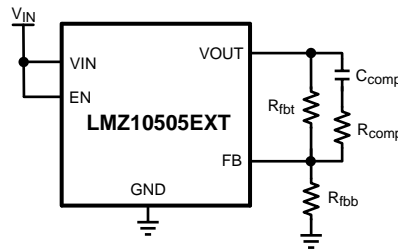


Table 2. LMZ10505EXT Compensation Component Values⁽¹⁾

VIN (V)	CO (µF)	ESR (mΩ)		Rfbt (kΩ)	Ccomp (pF)	Rcomp (kΩ)
		Min	Max			
5.0	22	2	20	200	27	1.5
	47	2	20	124	56	1.4
	100	1	10	82.5	120	1
	150	1	5	63.4	180	1.21
	150	10	25	63.4	220	16.5
	150	26	50	44.2	220	23.7
	220	15	30	63.4	220	23.7
3.3	220	31	60	76.8	220	57.6
	22	2	20	118	39	9.09
	47	2	20	76.8	82	8.45
	100	1	10	49.9	180	4.12
	150	1	5	40.2	330	2.0
	150	10	25	43.2	330	11.5
	150	26	50	49.9	270	25.5
	220	15	30	40.2	390	15.4
220	31	60	48.7	330	35.7	

(1) In the special case where the output voltage is 0.8V, it is recommended to remove Rfbb and keep Rfbt, Rcomp, and Ccomp for a type III compensation.

Estimate Power Dissipation And Board Thermal Requirements

Use the current derating curves in the [Typical Performance Characteristics](#) section to obtain an estimate of power loss (PIC_LOSS). For the design case of VIN = 5V, VOUT = 2.5V, IOUT = 5A, TA(MAX) = 85°C, and TJ(MAX) = 125°C, the device must see a thermal resistance from case to ambient (θCA) of less than:

$$\theta_{CA} < \frac{T_{J(MAX)} - T_{A(MAX)}}{P_{IC_LOSS}} - \theta_{JC} \tag{15}$$

$$\theta_{CA} < \frac{125^{\circ}\text{C} - 85^{\circ}\text{C}}{1.36\text{ W}} - 1.9 \frac{^{\circ}\text{C}}{\text{W}} < 27.5 \frac{^{\circ}\text{C}}{\text{W}} \tag{16}$$

Given the typical thermal resistance from junction to case (θJC) to be 1.9°C/W (typ.). Continuously operating at a TJ greater than 125°C will have a shorten life span.

To reach θCA = 27.5°C/W, the PCB is required to dissipate heat effectively. With no airflow and no external heat, a good estimate of the required board area covered by 1oz. copper on both the top and bottom metal layers is:

$$\text{Board Area}_{\text{cm}^2} \geq \frac{500}{\theta_{CA}} \cdot \frac{^{\circ}\text{C} \times \text{cm}^2}{\text{W}} \tag{17}$$

$$\text{Board Area}_{\text{cm}^2} \geq \frac{500}{27.5} \cdot \frac{^{\circ}\text{C} \times \text{cm}^2}{\text{W}} \tag{18}$$

As a result, approximately 18 square cm of 1oz. copper on top and bottom layers is required for the PCB design.

The PCB copper heat sink must be connected to the exposed pad (EP). Approximately thirty six, 8mils thermal vias spaced 59mils (1.5 mm) apart must connect the top copper to the bottom copper. For an extended discussion and formulations of thermal rules of thumb, refer to AN-2020 [SNVA419](#). For an example of a high thermal performance PCB layout with θ_{JA} of 20°C/W, refer to the evaluation board application note AN-2074 [SNVA450](#) and for results of a study of the effects of the PCB designs, refer to AN-2026 [SNVA424](#).

PC Board Layout Guidelines

PC board layout is an important part of DC-DC converter design. Poor board layout can disrupt the performance of a DC-DC converter and surrounding circuitry by contributing to EMI, ground bounce and resistive voltage drop in the traces. These can send erroneous signals to the DC-DC converter resulting in poor regulation or instability. Good layout can be implemented by following a few simple design rules.

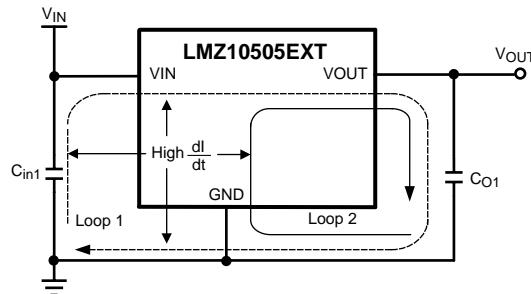


Figure 18. High Current Loops

1. Minimize area of switched current loops.

From an EMI reduction standpoint, it is imperative to minimize the high di/dt current paths. The high current that does not overlap contains high di/dt, see [Figure 18](#). Therefore physically place input capacitor (C_{in1}) as close as possible to the LMZ10505EXT VIN pin and GND exposed pad to avoid observable high frequency noise on the output pin. This will minimize the high di/dt area and reduce radiated EMI. Additionally, grounding for both the input and output capacitor should consist of a localized top side plane that connects to the GND exposed pad (EP).

2. Have a single point ground.

The ground connections for the feedback, soft-start, and enable components should be routed only to the GND pin of the device. This prevents any switched or load currents from flowing in the analog ground traces. If not properly placed, poor grounding can result in degraded load regulation or erratic output voltage ripple behavior. Provide the single point ground connection from pin 4 to EP.

3. Minimize trace length to the FB pin.

Both feedback resistors, R_{fbt} and R_{fbp}, and the compensation components, R_{comp} and C_{comp}, should be located close to the FB pin. Since the FB node is high impedance, keep the copper area as small as possible. This is most important as relatively high value resistors are used to set the output voltage.

4. Make input and output bus connections as wide as possible.

This reduces any voltage drops on the input or output of the converter and maximizes efficiency. To optimize voltage accuracy at the load, ensure that a separate feedback voltage sense trace is made at the load. Doing so will correct for voltage drops and provide optimum output accuracy.

5. Provide adequate device heat-sinking.

Use an array of heat-sinking vias to connect the exposed pad to the ground plane on the bottom PCB layer. If the PCB has multiple copper layers, thermal vias can also be employed to make connection to inner layer heat-spreading ground planes. For best results use a 6 x 6 via array with minimum via diameter of 8mil thermal vias spaced 59mils (1.5 mm). Ensure enough copper area is used for heat-sinking to keep the junction temperature below 125°C.

Additional Features

ENABLE

The LMZ10505EXT features an enable (EN) pin and associated comparator to allow the user to easily sequence the LMZ10505EXT from an external voltage rail, or to manually set the input UVLO threshold. The turn-on or rising threshold and hysteresis for this comparator are typically 1.23V and 0.15V respectively. The precise reference for the enable comparator allows the user to ensure that the LMZ10505EXT will be disabled when the system demands it to be.

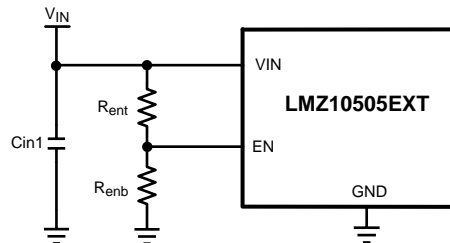
The EN pin should not be left floating. For always-on operation, connect EN to VIN.

ENABLE AND UVLO

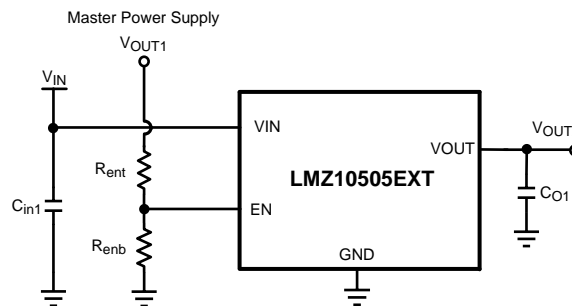
Using a resistor divider from VIN to EN as shown in the schematic diagram below, the input voltage at which the part begins switching can be increased above the normal input UVLO level according to

$$V_{IN(UVLO)} = 1.23V \times \frac{R_{trkb} + R_{trkt}}{R_{trkt}} \quad (19)$$

For example, suppose that the required input UVLO level is 3.69V. Choosing $R_{ent} = 10 \text{ k}\Omega$, then we calculate $R_{ent} = 20 \text{ k}\Omega$.



Alternatively, the EN pin can be driven from another voltage source to cater to system sequencing requirements commonly found in FPGA and other multi-rail applications. The following schematic shows an LMZ10505EXT that is sequenced to start based on the voltage level of a master system rail (V_{OUT1}).



SOFT-START

The LMZ10505EXT begins to operate when both the VIN and EN, voltages exceed the rising UVLO and enable thresholds, respectively. A controlled soft-start eliminates inrush currents during startup and allows the user more control and flexibility when sequencing the LMZ10505EXT with other power supplies.

In the event of either VIN or EN decreasing below the falling UVLO or enable threshold respectively, the voltage on the soft-start pin is collapsed by discharging the soft-start capacitor by a 14 μA (typ.) current sink to ground.

SOFT-START CAPACITOR

Determine the soft-start capacitance with the following relationship

$$C_{SS} = \frac{t_{SS} \times I_{SS}}{V_{REF}} \quad (20)$$

where V_{FB} is the internal reference voltage (nominally 0.8V), I_{SS} is the soft-start charging current (nominally 2 μ A) and C_{SS} is the external soft-start capacitance.

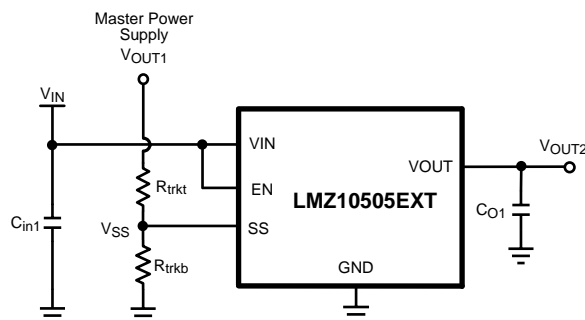
Thus, the required soft-start capacitor per unit output voltage startup time is given by

$$C_{SS} = 2.5 \text{ nF} / \text{ms} \tag{21}$$

For example, a 4 ms soft-start time will yield a 10 nF capacitance. The minimum soft-start capacitance is 680 pF.

TRACKING

The LMZ10505EXT can track the output of a master power supply during soft-start by connecting a resistor divider to the SS pin. In this way, the output voltage slew rate of the LMZ10505EXT will be controlled by a master supply for loads that require precise sequencing. When the tracking function is used, a small value soft-start capacitor should be connected to the SS pin to alleviate output voltage overshoot when recovering from a current limit fault.



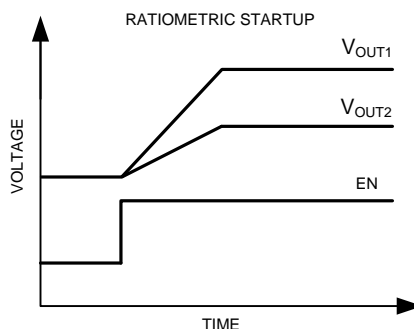
TRACKING - EQUAL SOFT-START TIME

One way to use the tracking feature is to design the tracking resistor divider so that the master supply output voltage, V_{OUT1} , and the LMZ10505EXT output voltage, V_{OUT2} , both rise together and reach their target values at the same time. This is termed ratiometric startup. For this case, the equation governing the values of tracking divider resistors R_{trkb} and R_{trkt} is given by

$$R_{trkb} = \frac{R_{trkt}}{V_{OUT1} - 1.0V} \tag{22}$$

The above equation includes an offset voltage, of 200 mV, to ensure that the final value of the SS pin voltage exceeds the reference voltage of the LMZ10505EXT. This offset will cause the LMZ10505EXT output voltage to reach regulation slightly before the master supply. A value of 33 k Ω 1% is recommended for R_{trkt} as a compromise between high precision and low quiescent current through the divider while minimizing the effect of the 2 μ A soft-start current source.

For example, if the master supply voltage V_{OUT1} is 3.3V and the LMZ10505EXT output voltage was 1.8V, then the value of R_{trkb} needed to give the two supplies identical soft-start times would be 14.3 k Ω . A timing diagram for this example, the equal soft-start time case, is shown below.



TRACKING - EQUAL SLEW RATES

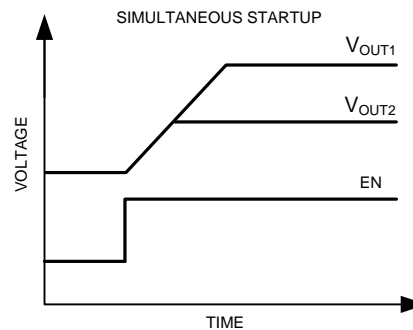
Alternatively, the tracking feature can be used to have similar output voltage ramp rates. This is referred to as simultaneous startup. In this case, the tracking resistors can be determined based on the following equation

$$R_{\text{trkb}} = \frac{0.8V}{V_{\text{OUT2}} - 0.8V} \times R_{\text{trkt}} \quad (23)$$

and to ensure proper overdrive of the SS pin

$$V_{\text{OUT2}} < 0.8 \times V_{\text{OUT1}} \quad (24)$$

For the example case of $V_{\text{OUT1}} = 5V$ and $V_{\text{OUT2}} = 2.5V$, with R_{trkt} set to $33\text{ k}\Omega$ as before, R_{trkb} is calculated from the above equation to be $15.5\text{ k}\Omega$. A timing diagram for the case of equal slew rates is shown below.



PRE-BIAS STARTUP CAPABILITY

At startup, the LMZ10505EXT is in a pre-biased state when the output voltage is greater than zero. This often occurs in many multi-rail applications such as when powering an ASIC, FPGA, or DSP. The output can be pre-biased in these applications through parasitic conduction paths from one supply rail to another. Even though the LMZ10505EXT is a synchronous converter, it will not pull the output low when a pre-bias condition exists. The LMZ10505EXT will not sink current during startup until the soft-start voltage exceeds the voltage on the FB pin. Since the device does not sink current it protects the load from damage that might otherwise occur if current is conducted through the parasitic paths of the load.

CURRENT LIMIT

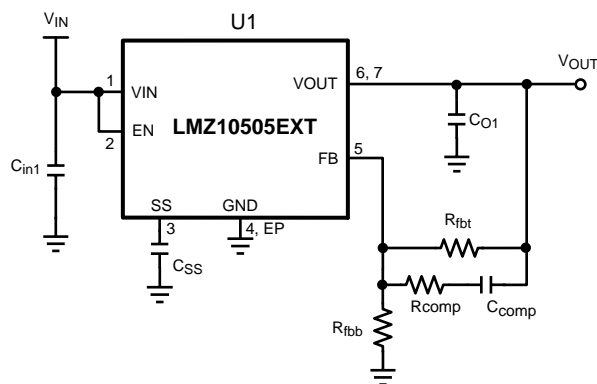
When a current greater than the output current limit (I_{OCL}) is sensed, the on-time is immediately terminated and the low side MOSFET is activated. The low side MOSFET stays on for the entire next four switching cycles. During these skipped pulses, the voltage on the soft-start pin is reduced by discharging the soft-start capacitor by a current sink on the soft-start pin of nominally $14\text{ }\mu\text{A}$. Subsequent over-current events will drain more and more charge from the soft-start capacitor, effectively decreasing the reference voltage as the output droops due to the pulse skipping. Reactivation of the soft-start circuitry ensures that when the over-current situation is removed, the part will resume normal operation smoothly.

OVER-TEMPERATURE PROTECTION

When the LMZ10505EXT senses a junction temperature greater than 145°C (typ.), both switching MOSFETs are turned off and the part enters a standby state. Upon sensing a junction temperature below 135°C (typ.), the part will re-initiate the soft-start sequence and begin switching once again.

LMZ10505EXT Application Circuit Schematic and BOMs

This section provides several application solutions with an associated bill of materials. The compensation for each solution was optimized to work over the full input range. Many applications have a fixed input voltage rail. It is possible to modify the compensation to obtain a faster transient response for a given input voltage operating point.


Figure 19.
Table 3. Bill of Materials, $V_{IN} = 3.3V$ to $5V$, $V_{OUT} = 2.5V$, $I_{OUT (MAX)} = 5A$, Optimized for Electrolytic Input and Output Capacitance

Designator	Description	Case Size	Manufacturer	Manufacturer P/N	Quantity
U1	SIMPLE SWITCHER ®	PFM-7	Texas Instruments	LMZ10505EXTTZ	1
C_{in1}	150 μF , 6.3V, 18 m Ω	C2, 6.0 x 3.2 x 1.8 mm	Sanyo	6TPE150MIC2	1
C_{O1}	330 μF , 6.3V, 18 m Ω	D3L, 7.3 x 4.3 x 2.8 mm	Sanyo	6TPE330MIL	1
R_{fbt}	100 k Ω	0603	Vishay Dale	CRCW0603100KFKEA	1
R_{fbb}	47.5 k Ω	0603	Vishay Dale	CRCW060347K5FKEA	1
R_{comp}	15 k Ω	0603	Vishay Dale	CRCW060315K0FKEA	1
C_{comp}	330 pF, $\pm 5\%$, C0G, 50V	0603	TDK	C1608C0G1H331J	1
C_{SS}	10 nF, $\pm 10\%$, X7R, 16V	0603	Murata	GRM188R71C103KA01	1

Table 4. Bill of Materials, $V_{IN} = 3.3V$, $V_{OUT} = 0.8V$, $I_{OUT (MAX)} = 5A$, Optimized for Solution Size and Transient Response⁽¹⁾

Designator	Description	Case Size	Manufacturer	Manufacturer P/N	Quantity
U1	SIMPLE SWITCHER ®	PFM-7	Texas Instruments	LMZ10505EXTTZ	1
C_{in1} , C_{O1}	47 μF , X5R, 6.3V	1206	TDK	C3216X5R0J476M	2
R_{fbt}	110 k Ω	0402	Vishay Dale	CRCW0402100KFKEA	1
R_{comp}	1.0 k Ω	0402	Vishay Dale	CRCW04021K00FKEA	1
C_{comp}	27 pF, $\pm 5\%$, C0G, 50V	0402	Murata	GRM1555C1H270JZ01	1
C_{SS}	10 nF, $\pm 10\%$, X7R, 16V	0402	Murata	GRM155R71C103KA01	1

(1) In the case where the output voltage is 0.8V, it is recommended to remove R_{fbb} and keep R_{fbt} , R_{comp} , and C_{comp} for a type III compensation.

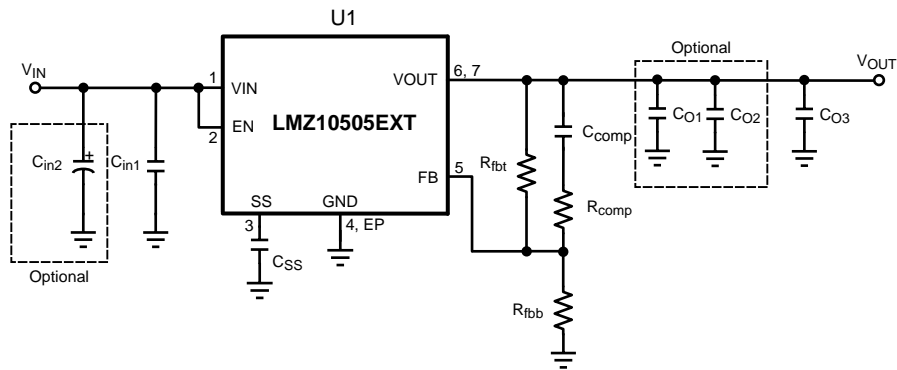


Figure 20.

Table 5. Bill of Materials, $V_{IN} = 3.3V$ to $5V$, $V_{OUT} = 2.5V$, $I_{OUT (MAX)} = 5A$, Optimized for Low Input and Output Ripple Voltage and Fast Transient Response

Designator	Description	Case Size	Manufacturer	Manufacturer P/N	Quantity
U1	SIMPLE SWITCHER®	PFM-7	Texas Instruments	LMZ10505EXTTZ	1
C_{in1}	22 μF , X5R, 10V	1210	AVX	1210ZD226MAT	2
C_{in2}	220 μF , 10V, AL-Elec	E	Panasonic	EEE1AA221AP	1 ⁽¹⁾
C_{O1}	4.7 μF , X5R, 10V	0805	AVX	0805ZD475MAT	1 ⁽¹⁾
C_{O2}	22 μF , X5R, 6.3V	1206	AVX	1206D226MAT	1 ⁽¹⁾
C_{O3}	100 μF , X5R, 6.3V	1812	AVX	18126D107MAT	1
R_{fbt}	75 k Ω	0402	Vishay Dale	CRCW040275K0FKED	1
R_{fbb}	34.8 k Ω	0402	Vishay Dale	CRCW040234K8FKED	1
R_{comp}	1.0 k Ω	0402	Vishay Dale	CRCW04021K00FKED	1
C_{comp}	100 pF, $\pm 5\%$, C0G, 50V	0402	Murata	GRM1555C1H101JZ01	1
C_{SS}	10 nF, $\pm 10\%$, X7R, 16V	0402	Murata	GRM155R71C103KA01	1

(1) Optional components, include for low input and output voltage ripple.

Table 6. Output Voltage Setting ($R_{fbt} = 75\text{ k}\Omega$)

V_{OUT}	R_{fbb}
2.5 V	34.8 k Ω
1.8 V	59 k Ω
1.5 V	84.5 k Ω
1.2 V	150 k Ω
0.9 V	590 k Ω

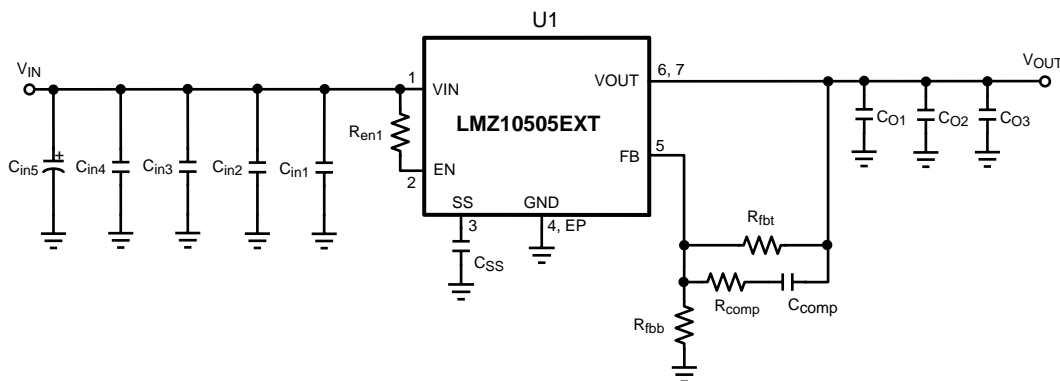


Figure 21.

Table 7. Bill of Materials, $V_{IN} = 3.3V$ to $5V$, $V_{OUT} = 2.5V$, $I_{OUT (MAX)} = 5A$

Designator	Description	Case Size	Manufacturer	Manufacturer P/N	Quantity
U1	SIMPLE SWITCHER®	PFM-7	Texas Instruments	LMZ10505EXTTZ	1
C _{in1}	1 μ F, X7R, 16V	0805	TDK	C2012X7R1C105K	1
C _{in2} , C _{O1}	4.7 μ F, X5R, 6.3V	0805	TDK	C2012X5R0J475K	2
C _{in3} , C _{O2}	22 μ F, X5R, 16V	1210	TDK	C3225X5R1C226M	2
C _{in4}	47 μ F, X5R, 6.3V	1210	TDK	C3225X5R0J476M	1
C _{in5}	220 μ F, 10V, AL-Elec	E	Panasonic	EEE1AA221AP	1
C _{O3}	100 μ F, X5R, 6.3V	1812	TDK	C4532X5R0J107M	1
R _{fbt}	75 k Ω	0805	Vishay Dale	CRCW080575K0FKEA	1
R _{fbb}	34.8 k Ω	0805	Vishay Dale	CRCW080534K8FKEA	1
R _{comp}	1.1 k Ω	0805	Vishay Dale	CRCW08051K10FKEA	1
C _{comp}	180 pF, \pm 5%, C0G, 50V	0603	TDK	C1608C0G1H181J	1
R _{en1}	100 k Ω	0805	Vishay Dale	CRCW0805100KFKEA	1
C _{SS}	10 nF, \pm 5%, C0G, 50V	0805	TDK	C2012C0G1H103J	1

Table 8. Output Voltage Setting ($R_{fbt} = 75\text{ k}\Omega$)

V_{OUT}	R_{fbb}
2.5 V	34.8 k Ω
1.8 V	59 k Ω
1.5 V	84.5 k Ω
1.2 V	150 k Ω
0.9 V	590 k Ω

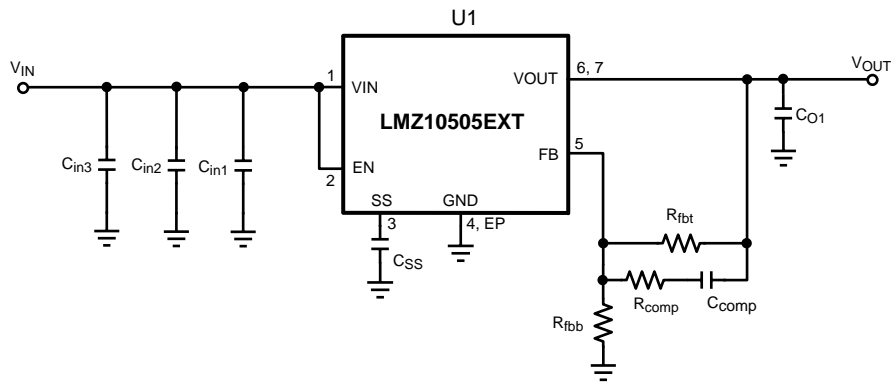


Figure 22.

Table 9. Bill of Materials, $V_{IN} = 5V$, $V_{OUT} = 2.5V$, $I_{OUT (MAX)} = 5A$, Complies with EN55022 Class B Radiated Emissions

Designator	Description	Case Size	Manufacturer	Manufacturer P/N	Quantity
U1	SIMPLE SWITCHER®	PFM-7	Texas Instruments	LMZ10505EXTTZ	1
C_{in1}	1 μF , X7R, 16V	0805	TDK	C2012X7R1C105K	1
C_{in2}	4.7 μF , X5R, 6.3V	0805	TDK	C2012X5R0J475K	1
C_{in3}	47 μF , X5R, 6.3V	1210	TDK	C3225X5R0J476M	1
C_{O1}	100 μF , X5R, 6.3V	1812	TDK	C4532X5R0J107M	1
R_{fbt}	75 k Ω	0805	Vishay Dale	CRCW080575K0FKEA	1
R_{fbb}	34.8 k Ω	0805	Vishay Dale	CRCW080534K8FKEA	1
R_{comp}	1.1 k Ω	0805	Vishay Dale	CRCW08051K10FKEA	1
C_{comp}	180 pF, $\pm 5\%$, C0G, 50V	0603	TDK	C1608C0G1H181J	1
C_{SS}	10 nF, $\pm 5\%$, C0G, 50V	0805	TDK	C2012C0G1H103J	1

Table 10. Output Voltage Setting ($R_{fbt} = 75\text{ k}\Omega$)

V_{OUT}	R_{fbb}
3.3 V	23.7 k Ω
2.5 V	34.8 k Ω
1.8 V	59 k Ω
1.5 V	84.5 k Ω
1.2 V	150 k Ω
0.9 V	590 k Ω

PCB Layout Diagrams

The PCB design is available in the LMZ10505EXT product folder at www.ti.com.

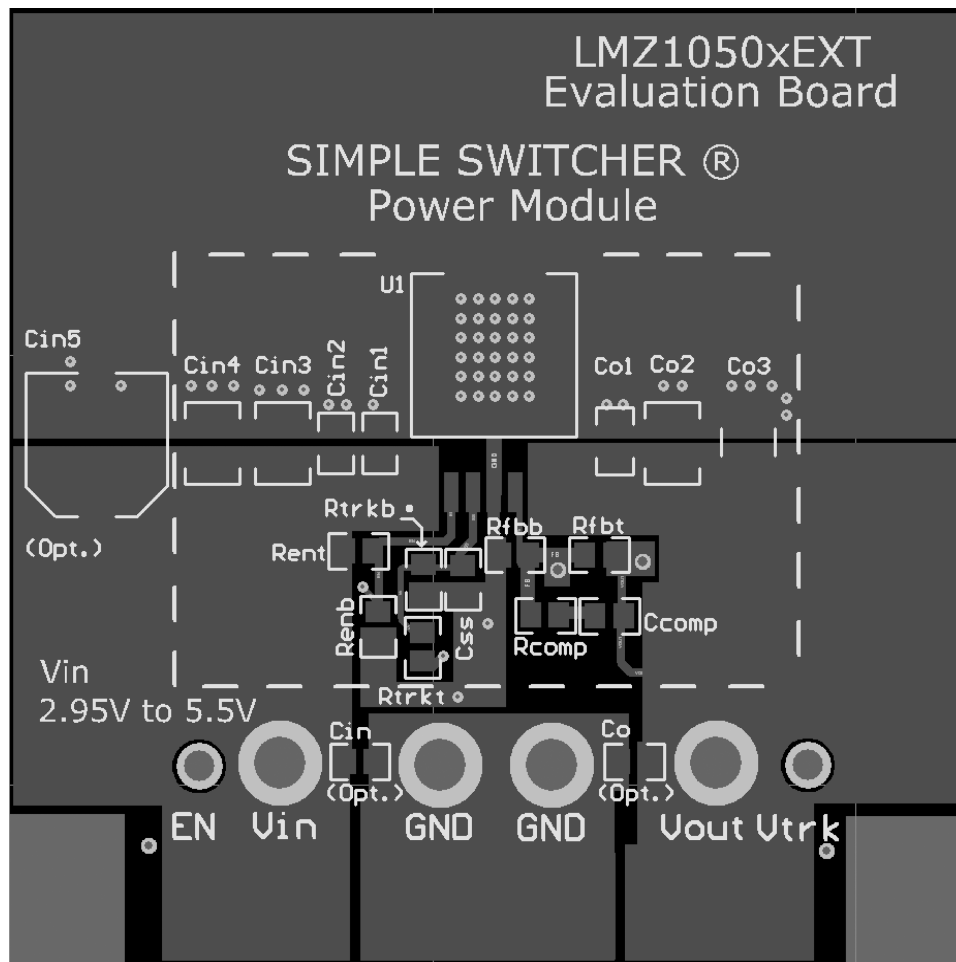


Figure 23. Top Copper

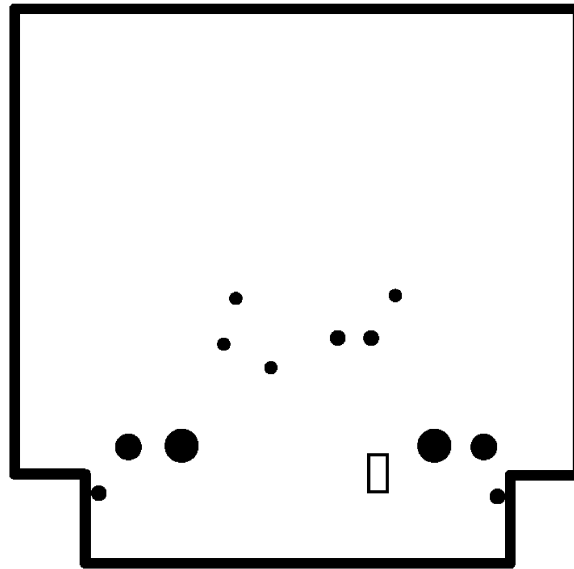


Figure 24. Internal Layer 1 (Ground)

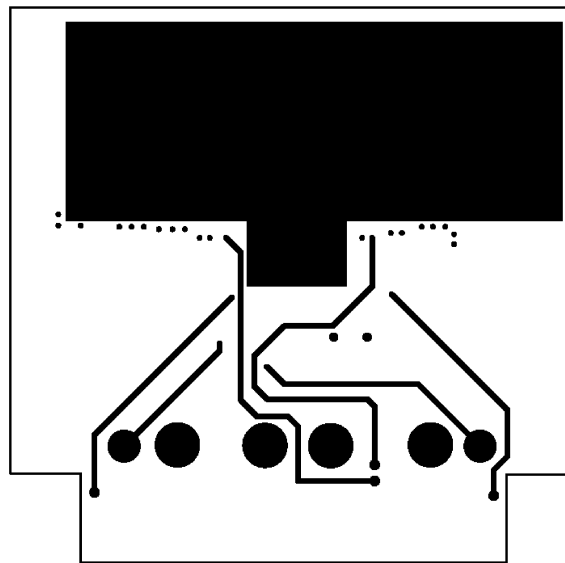


Figure 25. Internal Layer 2 (Ground and Signal Traces)

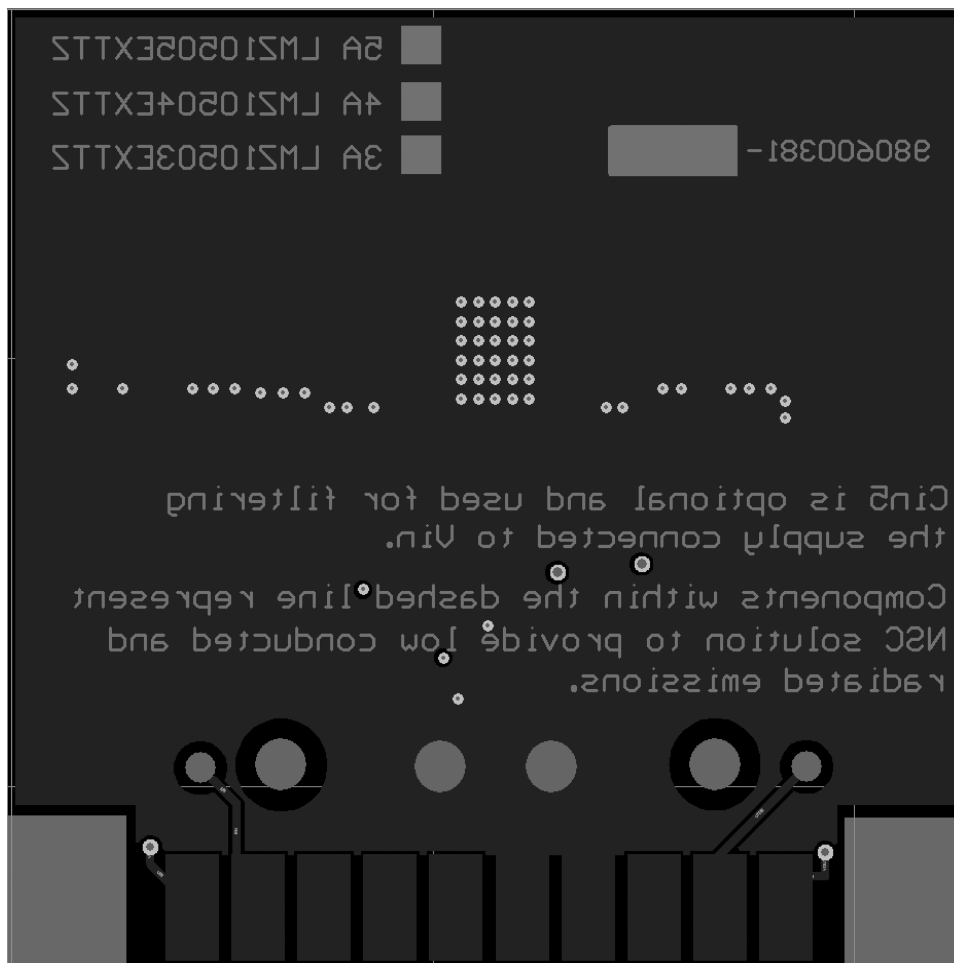


Figure 26. Bottom Copper

Power Module SMT Guidelines

The recommendations below are for a standard module surface mount assembly.

- Land Pattern – Follow the PCB land pattern with either soldermask defined or non-soldermask defined pads
- Stencil Aperture
 - For the exposed die attach pad (DAP), adjust the stencil for approximately 80% coverage of the PCB land pattern
 - For all other I/O pads use a 1:1 ratio between the aperture and the land pattern recommendation
- Solder Paste – Use a standard SAC Alloy such as SAC 305, type 3 or higher
- Stencil Thickness – 0.125 to 0.15mm
- Reflow - Refer to solder paste supplier recommendation and optimized per board size and density
- Maximum number of reflows allowed is one

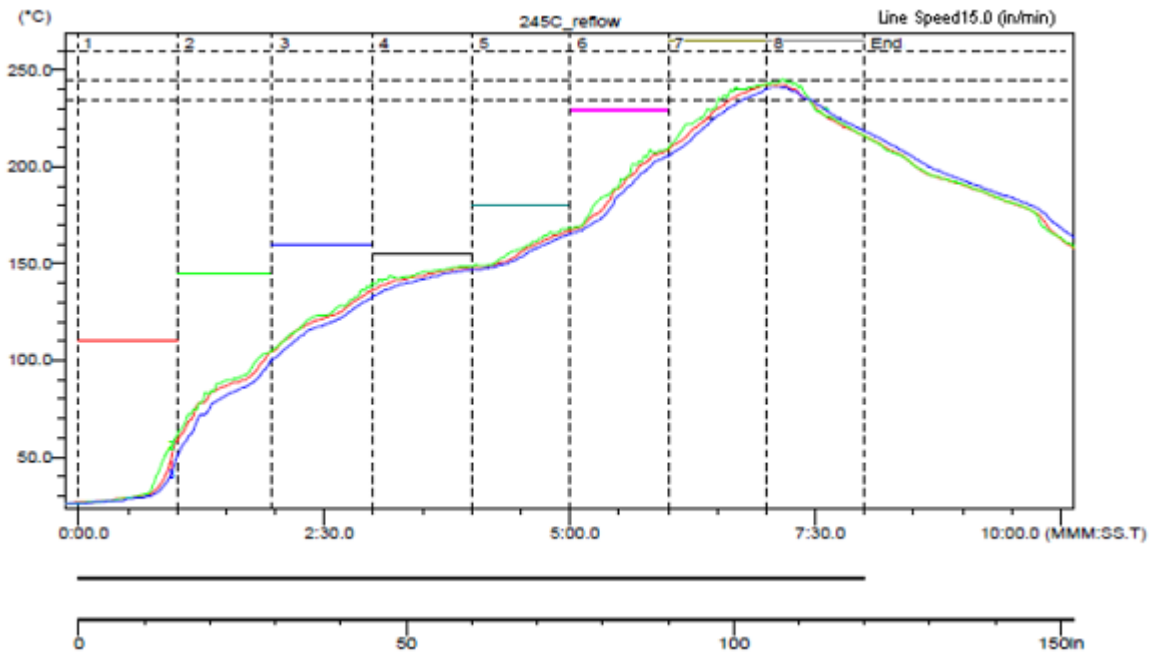


Figure 27. Sample Reflow Profile

Table 11.

Probe	Max Temp (°C)	Reached Max Temp	Time Above 235°C	Reached 235°C	Time Above 245°C	Reached 245°C	Time Above 260°C	Reached 260°C
#1	242.5	6.58	0.49	6.39	0.00	–	0.00	–
#2	242.5	7.10	0.55	6.31	0.00	7.10	0.00	–
#3	241.0	7.09	0.42	6.44	0.00	–	0.00	–

REVISION HISTORY

Changes from Revision F (April 2013) to Revision G	Page
• Added Peak Reflow Case Temp = 245°C	1
• Deleted 10mils	4
• Changed 10mils	13
• Changed 10mils	13
• Added Power Module SMT Guidelines	23

PACKAGING INFORMATION

Orderable Device	Status (1)	Package Type	Package Drawing	Pins	Package Qty	Eco Plan (2)	Lead/Ball Finish	MSL Peak Temp (3)	Op Temp (°C)	Device Marking (4/5)	Samples
LMZ10505EXTTZ/NOPB	ACTIVE	TO-PMOD	NDW	7	250	Green (RoHS & no Sb/Br)	CU SN	Level-3-245C-168 HR	-40 to 85	LMZ10505 EXT	Samples
LMZ10505EXTTZE/NOPB	ACTIVE	TO-PMOD	NDW	7	45	Green (RoHS & no Sb/Br)	CU SN	Level-3-245C-168 HR	-40 to 85	LMZ10505 EXT	Samples
LMZ10505EXTTZX/NOPB	ACTIVE	TO-PMOD	NDW	7	500	Green (RoHS & no Sb/Br)	CU SN	Level-3-245C-168 HR	-40 to 85	LMZ10505 EXT	Samples

(1) The marketing status values are defined as follows:

ACTIVE: Product device recommended for new designs.

LIFEBUY: TI has announced that the device will be discontinued, and a lifetime-buy period is in effect.

NRND: Not recommended for new designs. Device is in production to support existing customers, but TI does not recommend using this part in a new design.

PREVIEW: Device has been announced but is not in production. Samples may or may not be available.

OBsolete: TI has discontinued the production of the device.

(2) Eco Plan - The planned eco-friendly classification: Pb-Free (RoHS), Pb-Free (RoHS Exempt), or Green (RoHS & no Sb/Br) - please check <http://www.ti.com/productcontent> for the latest availability information and additional product content details.

TBD: The Pb-Free/Green conversion plan has not been defined.

Pb-Free (RoHS): TI's terms "Lead-Free" or "Pb-Free" mean semiconductor products that are compatible with the current RoHS requirements for all 6 substances, including the requirement that lead not exceed 0.1% by weight in homogeneous materials. Where designed to be soldered at high temperatures, TI Pb-Free products are suitable for use in specified lead-free processes.

Pb-Free (RoHS Exempt): This component has a RoHS exemption for either 1) lead-based flip-chip solder bumps used between the die and package, or 2) lead-based die adhesive used between the die and leadframe. The component is otherwise considered Pb-Free (RoHS compatible) as defined above.

Green (RoHS & no Sb/Br): TI defines "Green" to mean Pb-Free (RoHS compatible), and free of Bromine (Br) and Antimony (Sb) based flame retardants (Br or Sb do not exceed 0.1% by weight in homogeneous material)

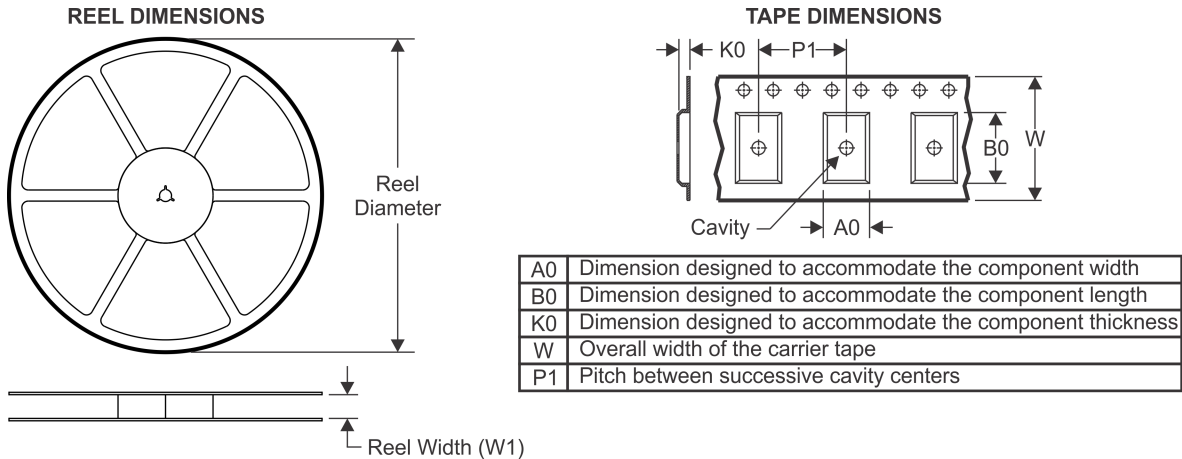
(3) MSL, Peak Temp. -- The Moisture Sensitivity Level rating according to the JEDEC industry standard classifications, and peak solder temperature.

(4) There may be additional marking, which relates to the logo, the lot trace code information, or the environmental category on the device.

(5) Multiple Device Markings will be inside parentheses. Only one Device Marking contained in parentheses and separated by a "~" will appear on a device. If a line is indented then it is a continuation of the previous line and the two combined represent the entire Device Marking for that device.

Important Information and Disclaimer: The information provided on this page represents TI's knowledge and belief as of the date that it is provided. TI bases its knowledge and belief on information provided by third parties, and makes no representation or warranty as to the accuracy of such information. Efforts are underway to better integrate information from third parties. TI has taken and continues to take reasonable steps to provide representative and accurate information but may not have conducted destructive testing or chemical analysis on incoming materials and chemicals. TI and TI suppliers consider certain information to be proprietary, and thus CAS numbers and other limited information may not be available for release.

In no event shall TI's liability arising out of such information exceed the total purchase price of the TI part(s) at issue in this document sold by TI to Customer on an annual basis.

TAPE AND REEL INFORMATION

QUADRANT ASSIGNMENTS FOR PIN 1 ORIENTATION IN TAPE


*All dimensions are nominal

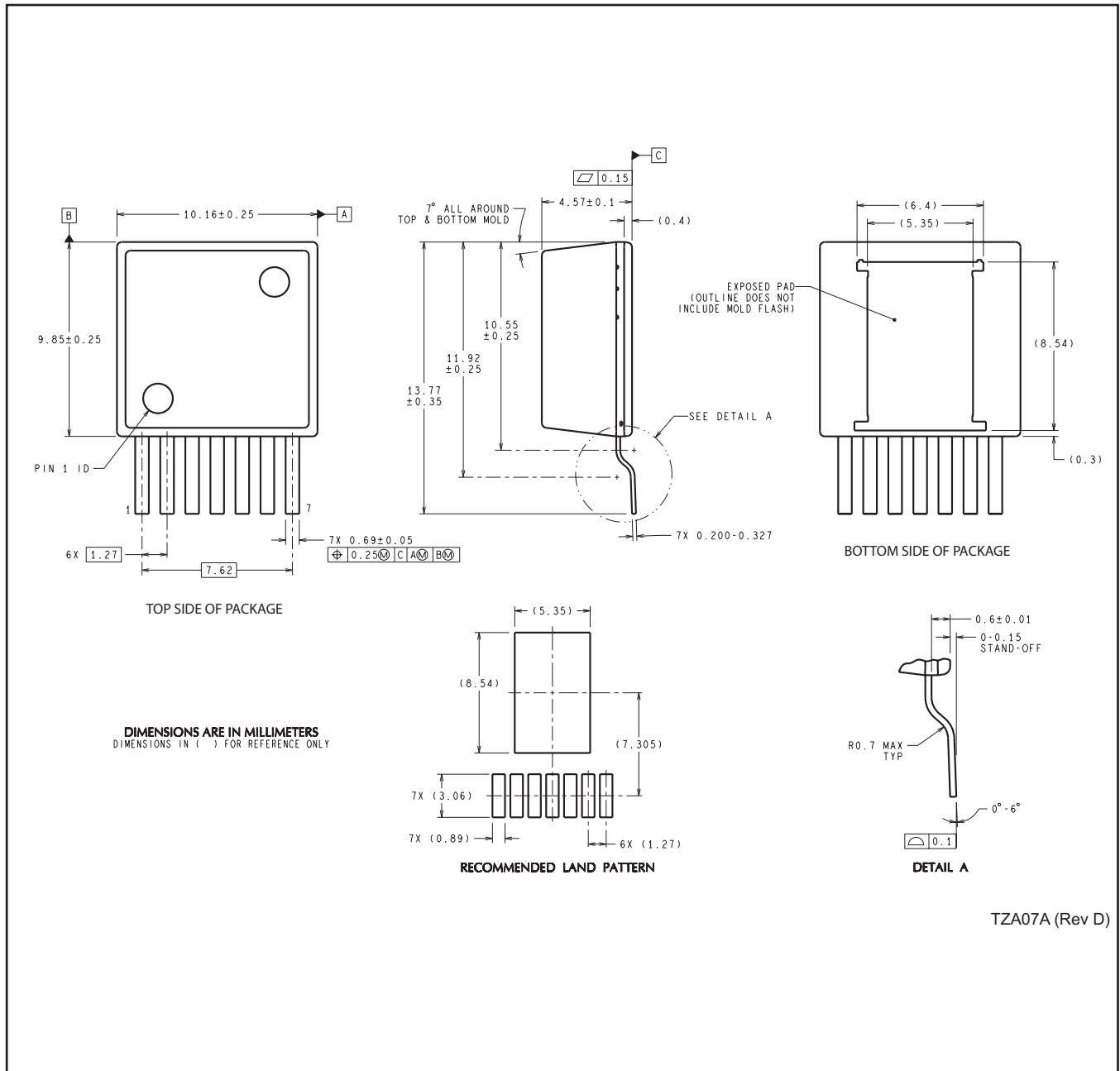
Device	Package Type	Package Drawing	Pins	SPQ	Reel Diameter (mm)	Reel Width W1 (mm)	A0 (mm)	B0 (mm)	K0 (mm)	P1 (mm)	W (mm)	Pin1 Quadrant
LMZ10505EXTTZ/NOPB	TO-PMOD	NDW	7	250	330.0	24.4	10.6	14.22	5.0	16.0	24.0	Q2
LMZ10505EXTTZ/NOPB	TO-PMOD	NDW	7	500	330.0	24.4	10.6	14.22	5.0	16.0	24.0	Q2

TAPE AND REEL BOX DIMENSIONS


*All dimensions are nominal

Device	Package Type	Package Drawing	Pins	SPQ	Length (mm)	Width (mm)	Height (mm)
LMZ10505EXTTZ/NOPB	TO-PMOD	NDW	7	250	367.0	367.0	45.0
LMZ10505EXTTZ/NOPB	TO-PMOD	NDW	7	500	367.0	367.0	45.0

NDW0007A



TZA07A (Rev D)

IMPORTANT NOTICE

Texas Instruments Incorporated and its subsidiaries (TI) reserve the right to make corrections, enhancements, improvements and other changes to its semiconductor products and services per JESD46, latest issue, and to discontinue any product or service per JESD48, latest issue. Buyers should obtain the latest relevant information before placing orders and should verify that such information is current and complete. All semiconductor products (also referred to herein as "components") are sold subject to TI's terms and conditions of sale supplied at the time of order acknowledgment.

TI warrants performance of its components to the specifications applicable at the time of sale, in accordance with the warranty in TI's terms and conditions of sale of semiconductor products. Testing and other quality control techniques are used to the extent TI deems necessary to support this warranty. Except where mandated by applicable law, testing of all parameters of each component is not necessarily performed.

TI assumes no liability for applications assistance or the design of Buyers' products. Buyers are responsible for their products and applications using TI components. To minimize the risks associated with Buyers' products and applications, Buyers should provide adequate design and operating safeguards.

TI does not warrant or represent that any license, either express or implied, is granted under any patent right, copyright, mask work right, or other intellectual property right relating to any combination, machine, or process in which TI components or services are used. Information published by TI regarding third-party products or services does not constitute a license to use such products or services or a warranty or endorsement thereof. Use of such information may require a license from a third party under the patents or other intellectual property of the third party, or a license from TI under the patents or other intellectual property of TI.

Reproduction of significant portions of TI information in TI data books or data sheets is permissible only if reproduction is without alteration and is accompanied by all associated warranties, conditions, limitations, and notices. TI is not responsible or liable for such altered documentation. Information of third parties may be subject to additional restrictions.

Resale of TI components or services with statements different from or beyond the parameters stated by TI for that component or service voids all express and any implied warranties for the associated TI component or service and is an unfair and deceptive business practice. TI is not responsible or liable for any such statements.

Buyer acknowledges and agrees that it is solely responsible for compliance with all legal, regulatory and safety-related requirements concerning its products, and any use of TI components in its applications, notwithstanding any applications-related information or support that may be provided by TI. Buyer represents and agrees that it has all the necessary expertise to create and implement safeguards which anticipate dangerous consequences of failures, monitor failures and their consequences, lessen the likelihood of failures that might cause harm and take appropriate remedial actions. Buyer will fully indemnify TI and its representatives against any damages arising out of the use of any TI components in safety-critical applications.

In some cases, TI components may be promoted specifically to facilitate safety-related applications. With such components, TI's goal is to help enable customers to design and create their own end-product solutions that meet applicable functional safety standards and requirements. Nonetheless, such components are subject to these terms.

No TI components are authorized for use in FDA Class III (or similar life-critical medical equipment) unless authorized officers of the parties have executed a special agreement specifically governing such use.

Only those TI components which TI has specifically designated as military grade or "enhanced plastic" are designed and intended for use in military/aerospace applications or environments. Buyer acknowledges and agrees that any military or aerospace use of TI components which have **not** been so designated is solely at the Buyer's risk, and that Buyer is solely responsible for compliance with all legal and regulatory requirements in connection with such use.

TI has specifically designated certain components as meeting ISO/TS16949 requirements, mainly for automotive use. In any case of use of non-designated products, TI will not be responsible for any failure to meet ISO/TS16949.

Products

Audio	www.ti.com/audio
Amplifiers	amplifier.ti.com
Data Converters	dataconverter.ti.com
DLP® Products	www.dlp.com
DSP	dsp.ti.com
Clocks and Timers	www.ti.com/clocks
Interface	interface.ti.com
Logic	logic.ti.com
Power Mgmt	power.ti.com
Microcontrollers	microcontroller.ti.com
RFID	www.ti-rfid.com
OMAP Applications Processors	www.ti.com/omap
Wireless Connectivity	www.ti.com/wirelessconnectivity

Applications

Automotive and Transportation	www.ti.com/automotive
Communications and Telecom	www.ti.com/communications
Computers and Peripherals	www.ti.com/computers
Consumer Electronics	www.ti.com/consumer-apps
Energy and Lighting	www.ti.com/energy
Industrial	www.ti.com/industrial
Medical	www.ti.com/medical
Security	www.ti.com/security
Space, Avionics and Defense	www.ti.com/space-avionics-defense
Video and Imaging	www.ti.com/video

TI E2E Community

e2e.ti.com