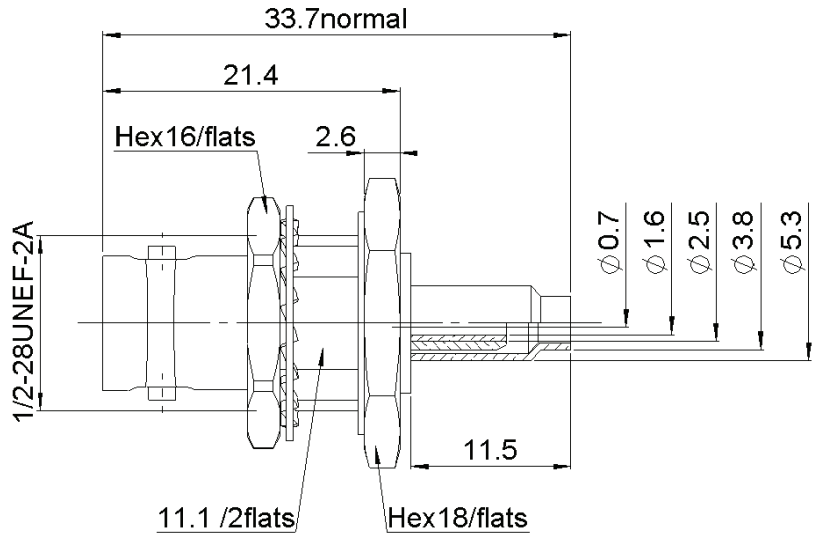


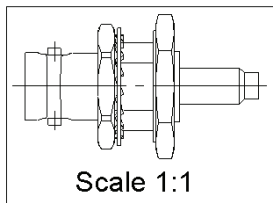
PAGE 1/2	ISSUE 1329A	SERIES ECO BNC 50	PART NUMBER R141A331500
----------	-------------	-------------------	--------------------------------



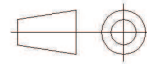
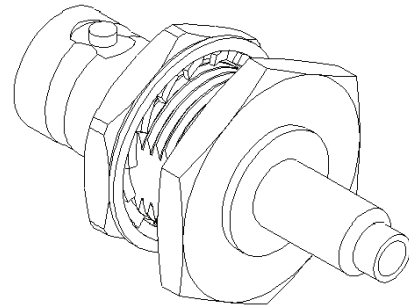
PANEL CUT OUT



	mm	
	Maxi	mini
A	12.9	12.8
B	11.3	11.2



All dimensions are in mm.



COMPONENTS	MATERIALS	PLATING (µm)
Body	BRASS	NICKEL
Center contact	BRONZE	GOLD
Outer contact		
Insulator	PTFE	
Gasket		
Others parts	BRASS	NICKEL
-	-	-
-	-	-

PAGE 2/2	ISSUE 1329A	SERIES ECO BNC 50	PART NUMBER R141A331500
----------	-------------	-------------------	-------------------------

PACKAGING

Standard	Unit	Other
100	Contact us	Contact us

ELECTRICAL CHARACTERISTICS

Impedance	50	Ω
Frequency	0-4	GHz
VSWR	1.35* + 0.0000	x F(GHz) Maxi
Insertion loss	0.2	√F(GHz) dB Maxi
RF leakage	NA	- F(GHz) dB Maxi
Voltage rating	335	Veff Maxi
Dielectric withstanding voltage	1500	Veff mini
Insulation resistance	5000	MΩ mini

MECHANICAL CHARACTERISTICS

Center contact retention		
Axial force – Mating End	27	N mini
Axial force – Opposite end	27	N mini
Torque	NA	N.cm mini
Recommended torque		
Mating	NA	N.cm
Panel nut	NA	N.cm
Clamp nut	NA	N.cm
A/F clamp nut	0.0000	mm
Mating life	100	Cycles mini
Weight	18.0000	g

ENVIRONMENTAL

Operating temperature	-40/+85	°C
Hermetic seal	NA	Atm.cm3/s
Panel leakage	NA	

SPECIFICATION

CABLE ASSEMBLY

Stripping	a	b	c	d	e	f
mm	5.5	8.5	15.5	0	10	0

Assembly instruction: **Clamp 03**

Recommended cable(s)

- RG 188**
- RG 316**
- KX 22A**

Characteristics indicated on this data sheet are those that can be achieved with the highest performance cable. Intrinsic limitations of the cable may diminish the performance of the assembly

Cable retention

- pull off	40	N mini
- torque	NA	N.cm

TOOLING

Part Number	Description	Hexagon
R282235009	CRIMPING DIES M22520/5.09	4.52
R282223000	CRIMPING TOOL	1.73
R282293000	CRIMPING TOOL M22520/5-01	

OTHER CHARACTERISTICS

***1.3 max@0-1GHz**