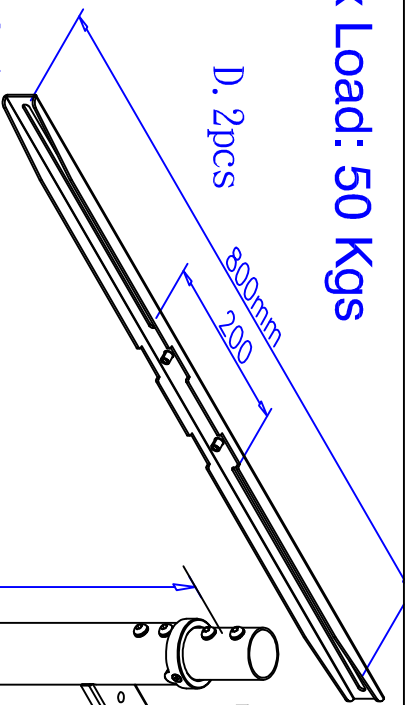


Max Load: 50 Kgs



O. 4pcs

F. M8x6pcs

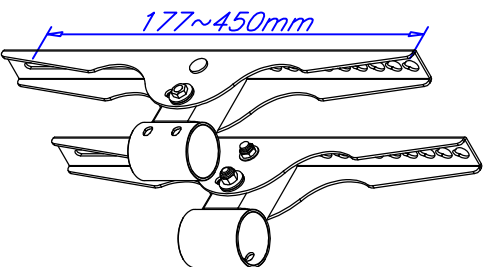
G. M8x6pcs

H. M8x4pcs

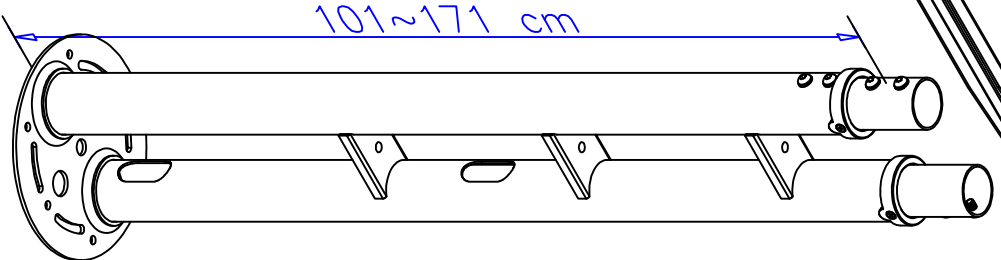
I. M8x2pcs

J. 1pc

K. 2pcs



E. 1 pc/each



C. 1pc

L.

M4x16 8pcs

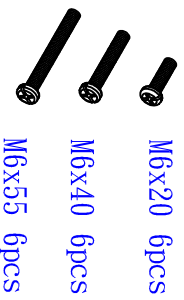
M4x25 8pcs

M5x16 8pcs

M5x25 8pcs

M. Washers

M5x8pcs



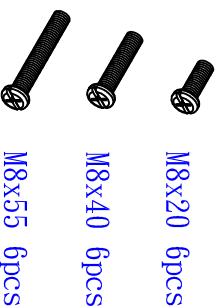
M6x20 6pcs

M6x40 6pcs

M6x55 6pcs

N. Spacers

1/4" x6pcs



M8x20 6pcs

M8x40 6pcs

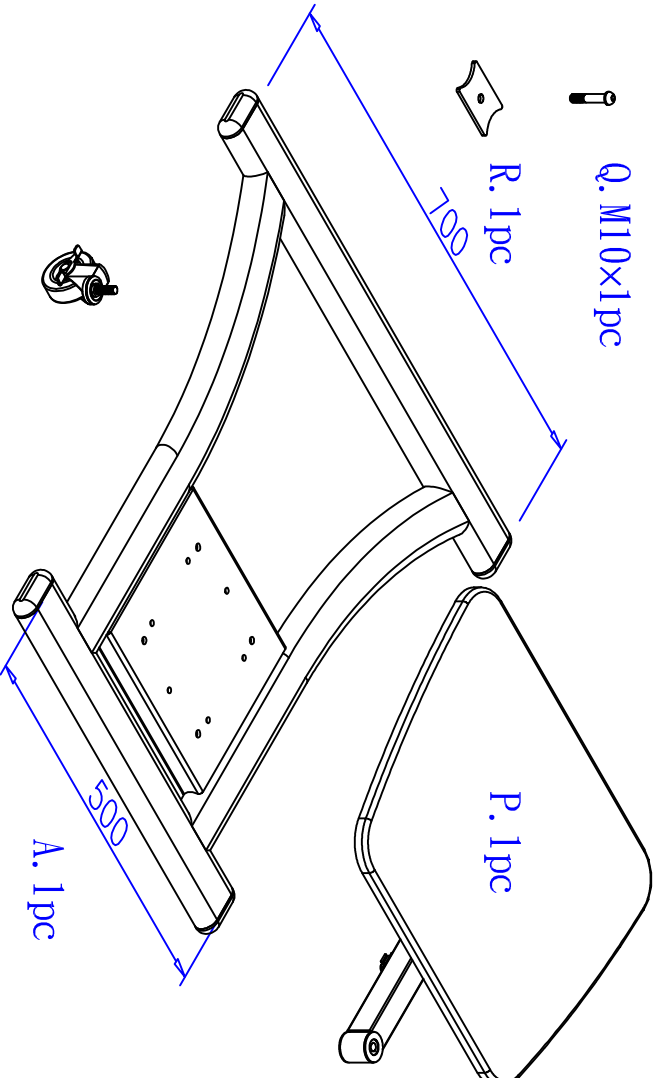
M8x55 6pcs

12pcs

Q. M10x1pc

R. 1pc

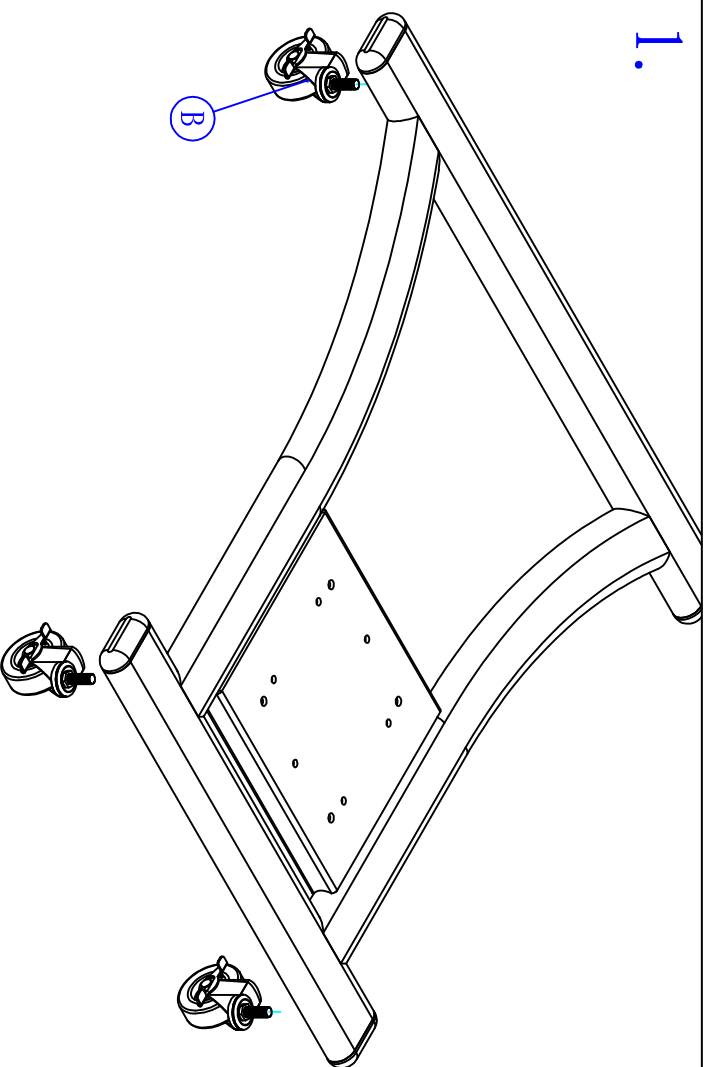
100

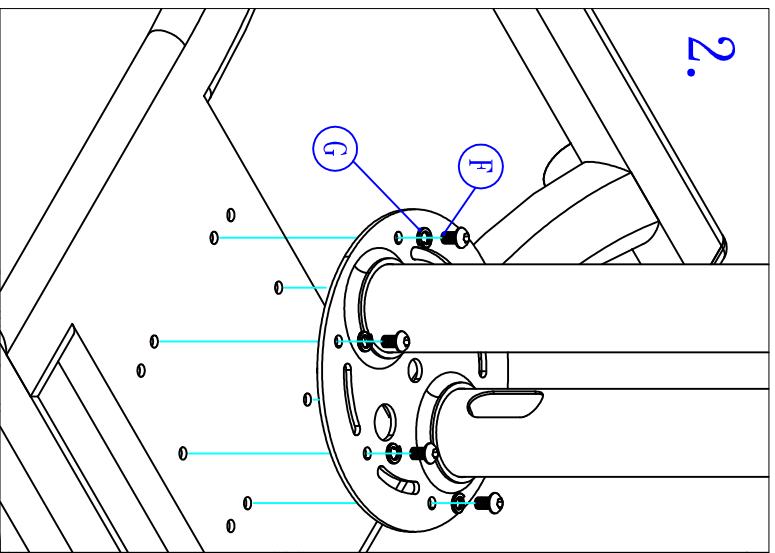


A. 1pc

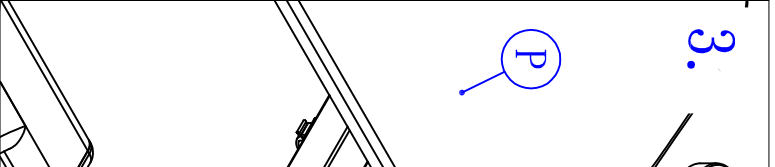
B. 4pcs

I.

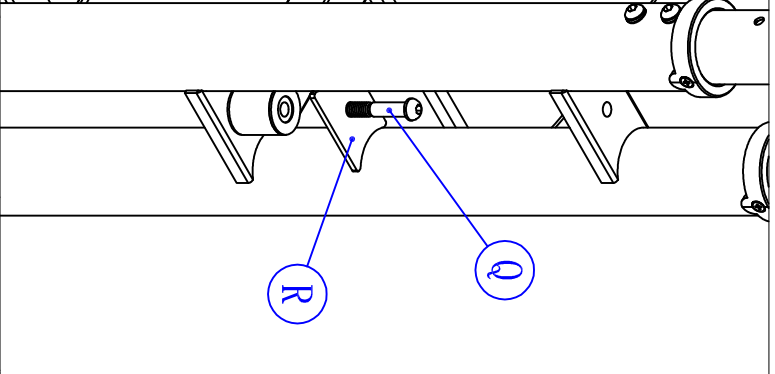




2.

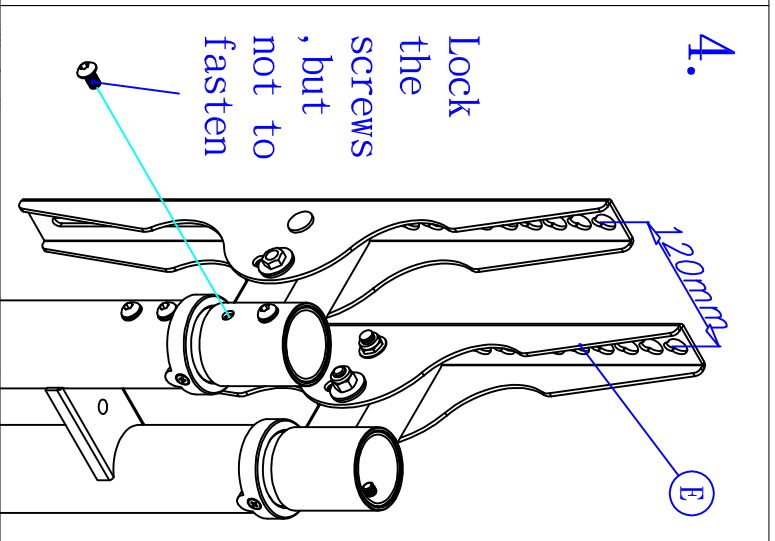


3.



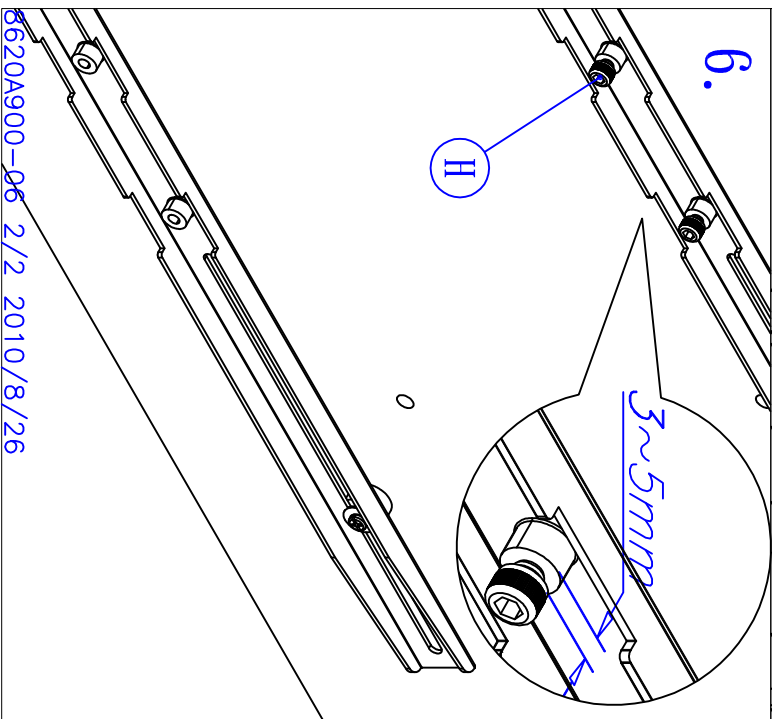
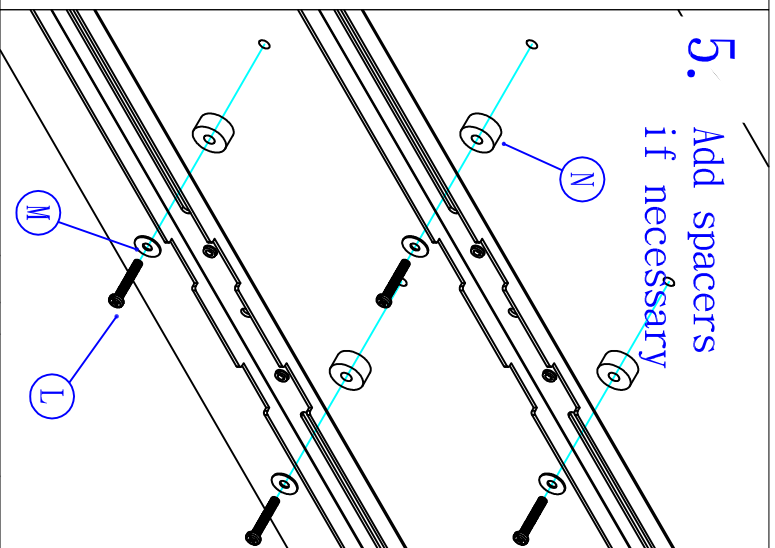
4.

Lock the screws, but not to fasten

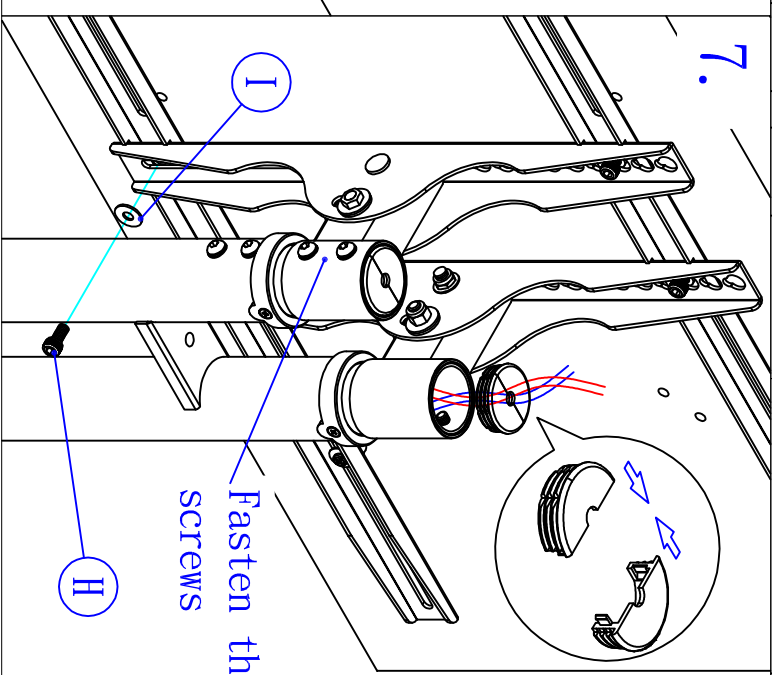


5.

Add spacers if necessary

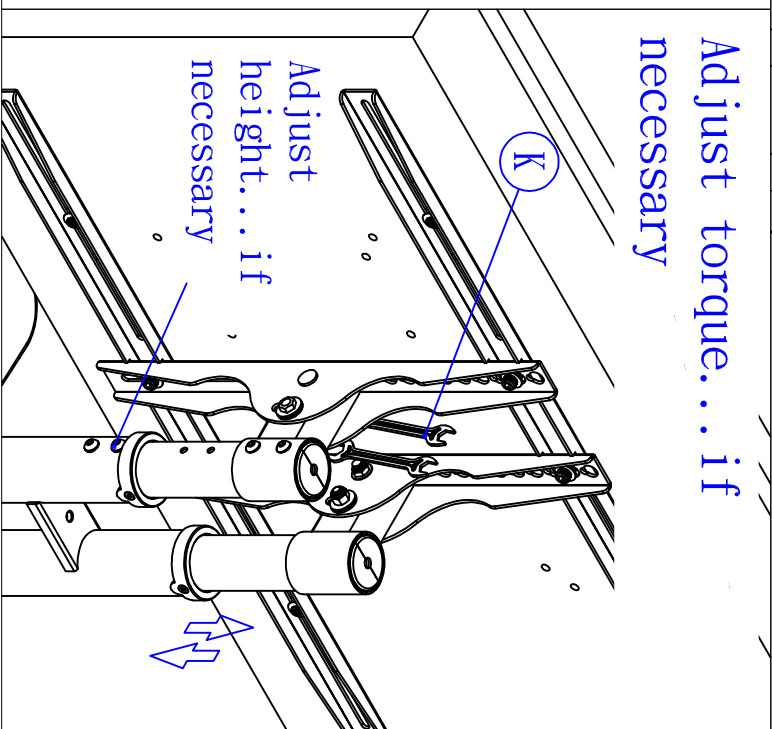


6.



7.

Fasten the screws



Adjust torque... if necessary

Adjust height... if necessary