



Locking System for Inlet Filters IL13

Power Cord with Locking System

SCHAFFNER
energy efficiency and reliability

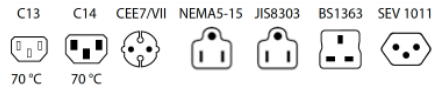


- Locking system for standardized IEC C14 inlet
- No accidental disconnection
- Fits any Schaffner IEC C14 inlet filter
- Retrofit for any IEC C14 inlet
- Various power line plugs for international usage
- Standard and hospital grade plugs available

Approvals



RoHS



Technical specifications

Cable:	EU: type H05-VV-F; US type SJT or SVT; JP: type HVCTF; black Other colors on request
Connector (line side):	IEC C14 according to IEC/EN 60320-2-2; EU Schuko plug CEE7/VII; UK plug BS1363; US NEMA5-15 plug standard or hospital grade (UL817); CH plug SEV 1011; JP plug JIS8303 Other plugs on request
Connector (load side):	IEC C13 according to IEC/EN 60320-2-2 with IEC Lock UL 498, CSA C22.2 no. 42 (for cold conditions) pin temperature 70 °C, 10 A, Protection Class I
Flammability corresponding to:	Plugs: UL94V-2 or better; Cable: IEC 60332-1 Cat. F2
High potential test voltage:	P→ PE 2000VAC (1min 50Hz) P→ N 2000VAC (1min 50Hz)
Maximum continuous operating voltage:	250VAC, 50/60Hz
Protection category:	IP20 according IEC 60529
Rated currents:	10A
Temperature range (operation and storage):	-25 °C to +70 °C

The locking system has a tensile force of typical 200N. It is recommended to use it with flange mount filters. For details refer to our Application Note „Using IEC Lock Power Cords with IEC Inlets and Filters“

Schaffner power cords with IEC lock guard against accidental disconnection of all electrical appliances with an IEC inlet. No exchange or modification of the IEC inlet or IEC inlet filter system is needed. Easy retrofit for all electronic equipments and devices.

Features and benefits

- Power cord with locking system for IEC inlets
- Protection class I
- Suitable for use with any C14 IEC inlet
- Fits the complete Schaffner IEC inlet filter program with C14 IEC inlet
- Max. pin temperature 70 °C

Typical applications

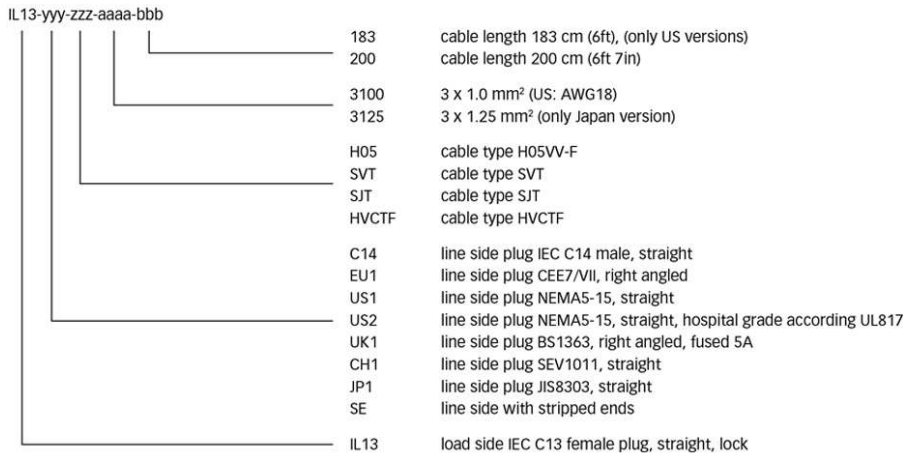
- Data centers
- Industrial equipment
- Medical devices
- In-vitro diagnostic devices
- Broadcasting stations
- Mobile applications

Cable selection table

IL13-C14-H05-3100-200	IEC cable assembly with locking system for IEC C14 inlet, EU version
IL13-C14-SVT-3100-183	IEC cable assembly with locking system for IEC C14 inlet, US version
IL13-EU1-H05-3100-200	IEC cable assembly with locking system for IEC C14 inlet, EU version
IL13-US1-SVT-3100-183	IEC cable assembly with locking system for IEC C14 inlet, US version
IL13-US2-SJT-3100-...*	IEC cable assembly with locking system for IEC C14 inlet, US version, hospital grade
IL13-UK1-H05-3100-200	IEC cable assembly with locking system for IEC C14 inlet, UK version
IL13-CH1-H05-3100-200	IEC cable assembly with locking system for IEC C14 inlet, CH version
IL13-JP1-HVCTF-3125-200	IEC cable assembly with locking system for IEC C14 inlet, JP version
IL13-SE-H05-3100-200	IEC cable assembly with locking system for IEC C14 inlet, stripped ends

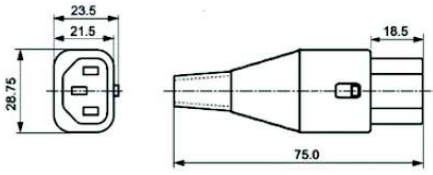
* To compile a complete part number, please replace the -... with the required length. This power cord is with 6ft. (-183) 9ft. (-275) and 12ft. (-366) deliverable.

Product selector

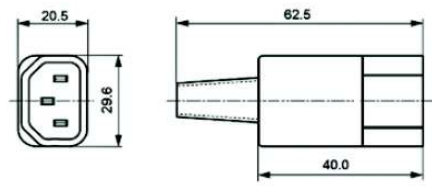


Mechanical data

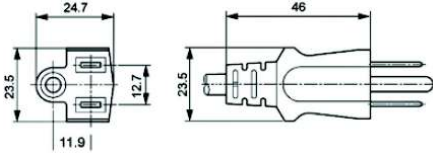
C13



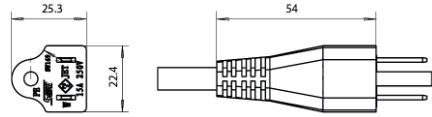
C14



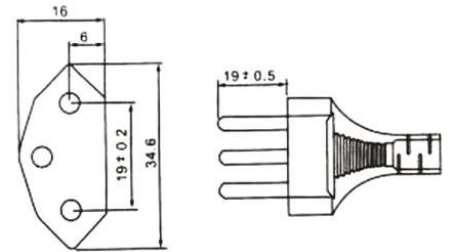
NEMA5-15



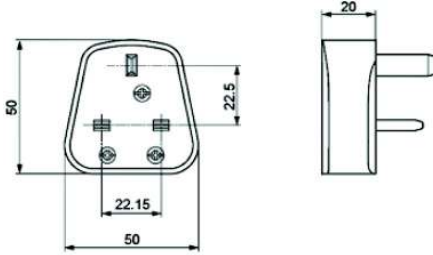
JIS 8303



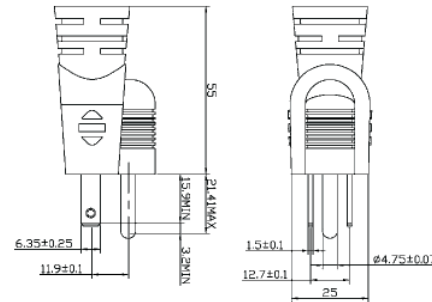
SEV1011



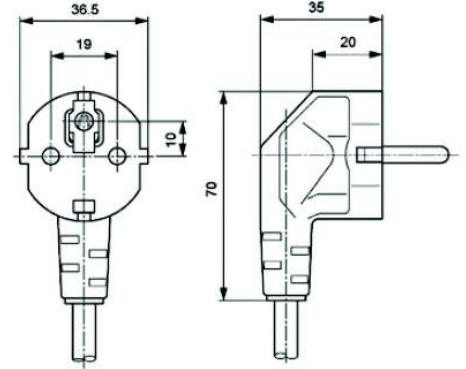
BS1363



NEMA5-15 (Hospital grade)



CEE7/VII



**Headquarters, global innovation
and development center**

Schaffner Group

Nordstrasse 11
4542 Luterbach
Switzerland
T +41 32 681 66 26
F +41 32 681 66 30
info@schaffner.com
www.schaffner.com

To find your local partner within
Schaffner's global network, please go
to www.schaffner.com

© 2012 Schaffner Group
Specifications are subject to change
without notice. The latest version of the
data sheets can be obtained from the
website. All trademarks recognized.

Schaffner is an ISO-registered
company.

Its products are designed and
manufactured under the strict quality
and environmental requirements of
the ISO 9001 and ISO 14001
standards.

This document has been carefully
checked. However, Schaffner does not
assume any liability for errors or
inaccuracies.

Sales and application centers

China

Schaffner EMC Ltd. Shanghai
T20-3, No 565 Chuangye Road
Pudong New Area
201201 Shanghai
T +86 21 3813 9500
F F +86 21 3813 9501 / 02
cschina@schaffner.com
<http://www.schaffner.com.cn/>

Finland

Schaffner Oy
Sauvonrinne 19 H
08500 Lohja
T +358 19 35 72 71
finlandsales@schaffner.com

France

Schaffner EMC S.A.S.
112, Quai de Bezons
Boîte postale 133
95103 Argenteuil
T +33 1 34 34 30 60
F +33 1 39 47 02 28
francesales@schaffner.com

Germany

Schaffner Deutschland GmbH
Westring 18
33142 Büren
T +49 2951 60 01 0
F +49 2951 60 01 23
buerensales@schaffner.com

Italy

Schaffner EMC S.r.l.
Via Galileo Galilei 47
20092 Cinisello Balsamo (MI)
T +39 02 66 04 30 45/47
F +39 02 61 23 943
italysales@schaffner.com

Japan

Schaffner EMC K.K.
1-32-12, Kamiyama, Setagaya-ku
7F Mitsui-seimei Sangenjaya Bldg.
154-0011 Tokyo
T +81 3 5712 3650
F +81 3 5712 3651
japansales@schaffner.com
<http://www.schaffner.jp>

Singapore

Schaffner EMC Pte Ltd.
Blk 3015A Ubi Road 1
05-09 Kampong Ubi Industrial Estate
408705 Singapore
T +65 6377 3283
F +65 6377 3281
singaporesales@schaffner.com

Spain

Schaffner EMC España
Calle Caléndula 93, Miniparc III, Edificio E
El Soto de la Moraleja Alcobendas
28109 Madrid
T +34 618 176 133
spainsales@schaffner.com

Sweden

Schaffner EMC AB
Turebergstorg 1, 6
19147 Sollentuna
T +46 8 5792 1121 / 22
F +46 8 92 96 90
swedensales@schaffner.com

Switzerland

Schaffner EMV AG
Nordstrasse 11
4542 Luterbach
T +41 32 6816 626
F +41 32 6816 641
sales@schaffner.ch

Taiwan R.O.C.

Schaffner EMV Ltd.
6 Floor, No. 413
Rui Guang Road
114 Neihu District Taipei City
T +886 2 87525050
F +886 2 87518086
taiwansales@schaffner.com

Thailand

Schaffner EMC Co. Ltd.
Northern Region Industrial Estate
67 Moo 4 Tambon Ban Klang Amphur Muangng
P.O. Box 14
51000 Lamphun
T +66 53 58 11 04
F +66 53 58 10 19
thailandsales@schaffner.com

UK

Schaffner Ltd.
5 Ashville Way
Molly Millars Lane Wokingham
RG41 2PL Berkshire
T +44 118 9770070
F +44 118 9792969
uksales@schaffner.com
<http://www.schaffner.uk.com>

USA

Schaffner EMC Inc.
52 Mayfield Avenue
08837 Edison
T 1-800-367-5566
T 732-225-9533
F 732-225-4789
usasales@schaffner.com
<http://www.schaffner.com/us>