

**Ordering number C12767_HB-SQ-A**

Family	High Bay	FWHM	50 degrees
Type	Lens	Efficiency	91 %
LED	LUXEON M	cd/lm	1.200
Color	Clear	Gerber File	Available
Diameter	25 + 25 mm		
Height	12.9 mm		
Style	Square		
Optic Material	PMMA		
Holder Material	-		
Fastening	Screw, pin, glue		
Status	On production		

NOTE: The typical divergence will be changed by different color, chip size and chip position tolerance. The typical total divergence is the full angle measured where the luminous intensity is half of the peak value.



PRODUCT DATASHEET

High Bay series

last update 24/6/2013

PHILIPS
LUMILEDS

GENERAL INFORMATION

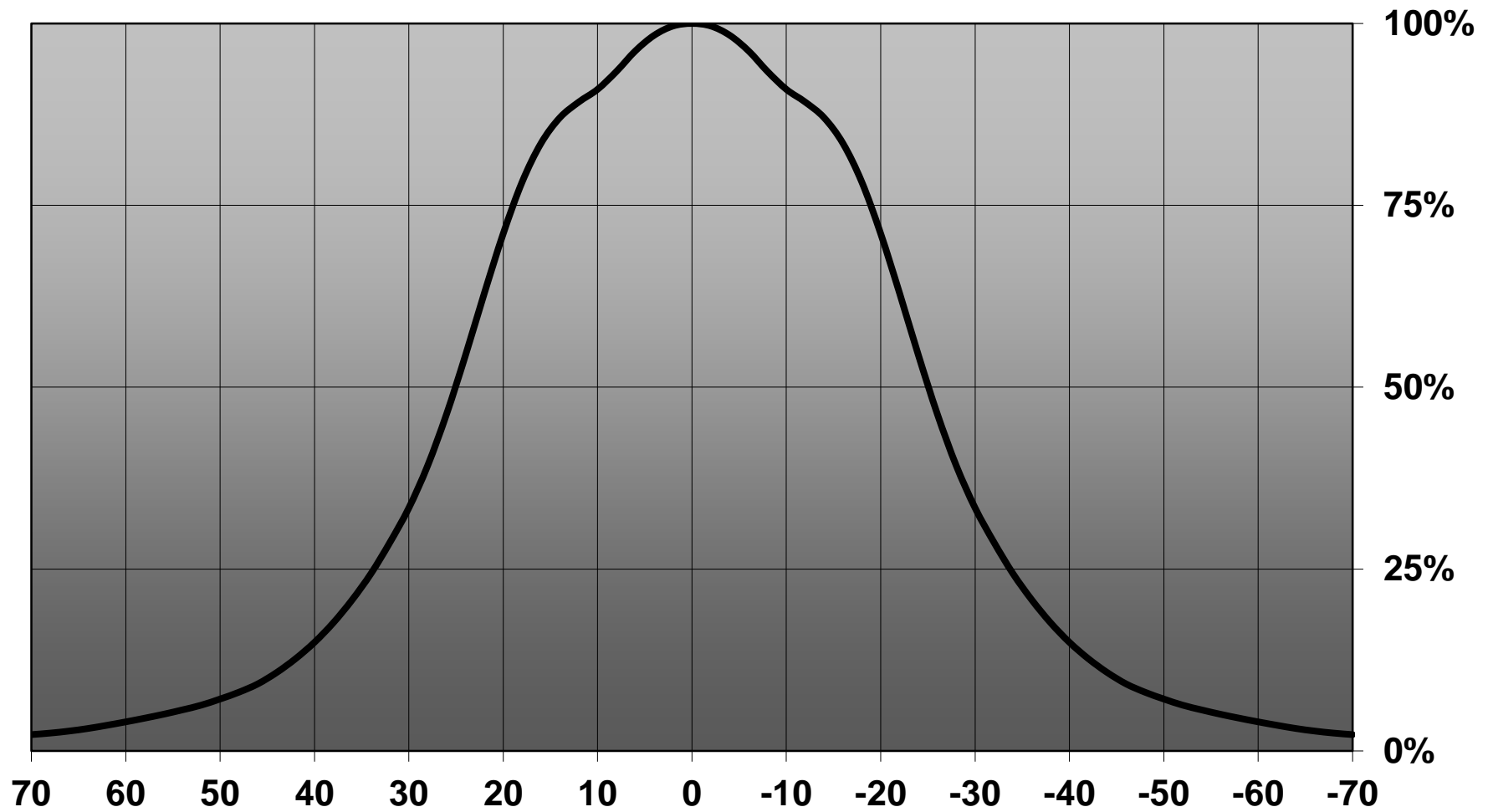
- Product series especially designed & optimized for LUXEON M series of LEDs.
- Special care taken to make light distribution as uniform as possible.
- Lens material optical grade PMMA with high UV and temperature resistance. Allows use of high current and temperature conditions.

Please find more information about used material from below:

http://ledil.fi/sites/default/files/Documents/Technical/Material/PMMA%20N%20UL94_Yellow%20Card.pdf

<http://ledil.fi/sites/default/files/Documents/Technical/Material/PMMA%20N%20PLEXIGLAS-Datasheet.pdf>

Relative intensity of C12767_HB-SQ-A (Luxeon-M)

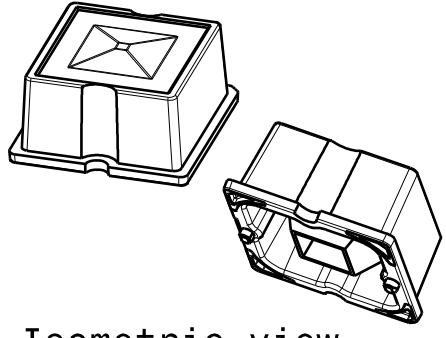


D

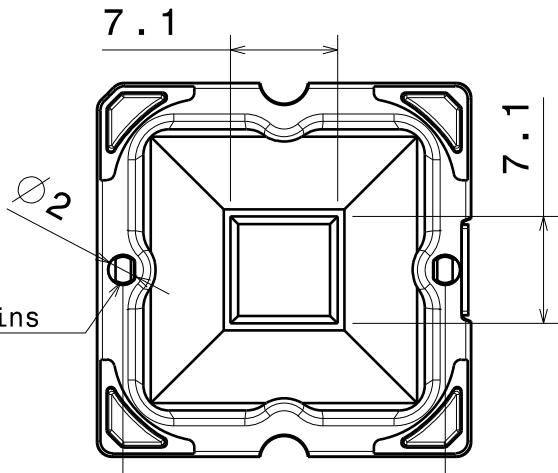
C

B

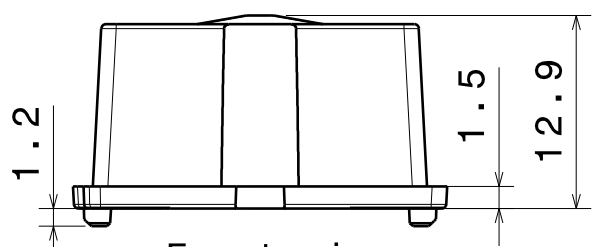
A



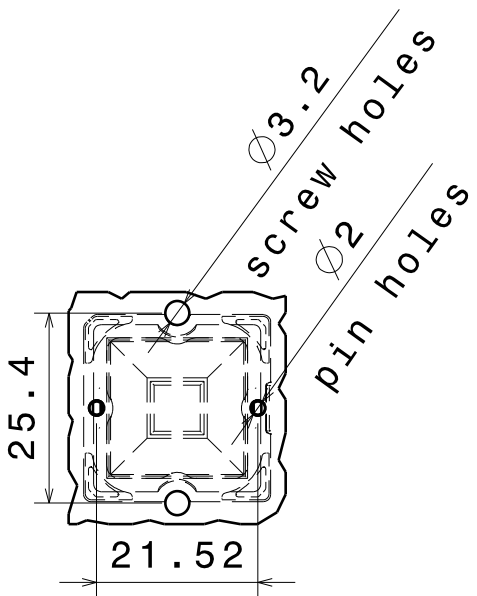
Isometric view



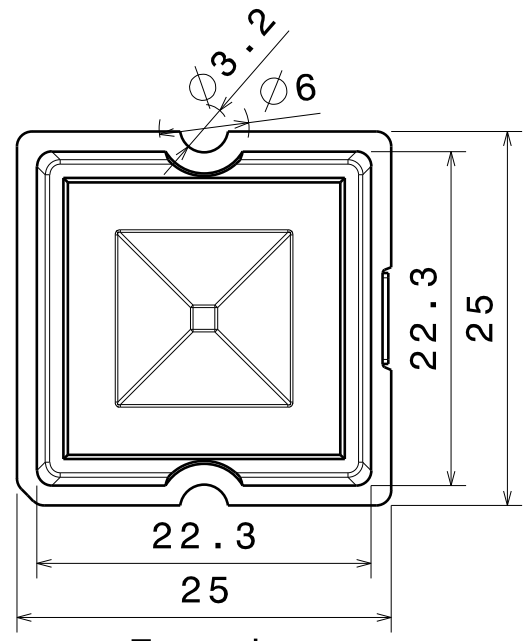
Bottom view



Front view



PCB-Suggestion



Top view

Material: PMMA

Tolerances if not otherwise shown:
 According to DIN ISO 2768-1
 Linear measures:
 Up to 30mm class F, otherwise class M.

According to DIN ISO 2768-2
 Form and position:
 class K

Control for SPC marked dimensions.

This drawing is our property.
 It can't be reproduced
 or communicated without
 our written agreement.



Ledil Oy
 Salorankatu 10
 FIN 24240 SALO
 Finland

DRAWING TITLE

Datasheet HB-SQ-A lens

DRAWN BY
mav

DATE
27.03.2012

CHECKED BY
pv

DATE
27.03.2012

DESIGNED BY
mav

DATE
27.03.2012

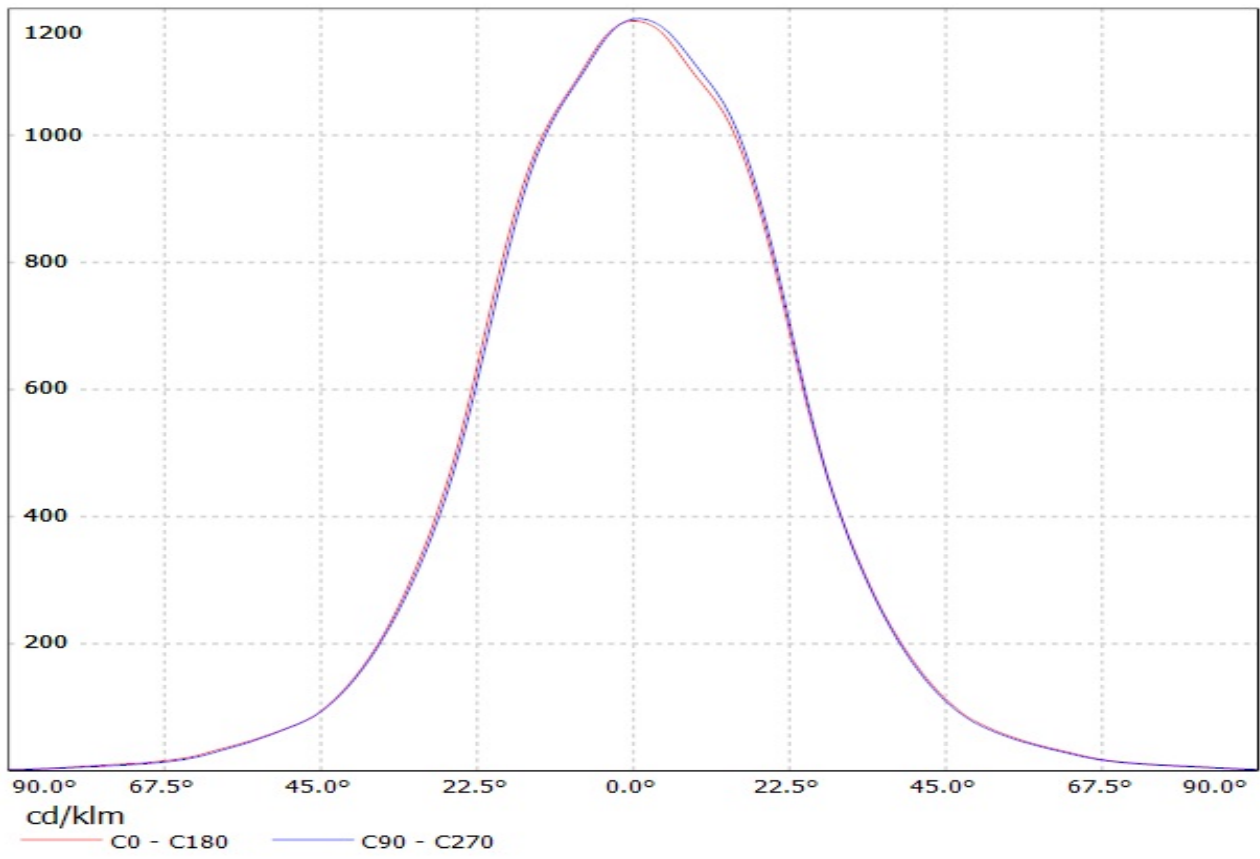
SIZE A4 **DRAWING NUMBER** C12767 **REV** 1

SCALE 1:1 **WEIGHT (g)** **SHEET** 1/1

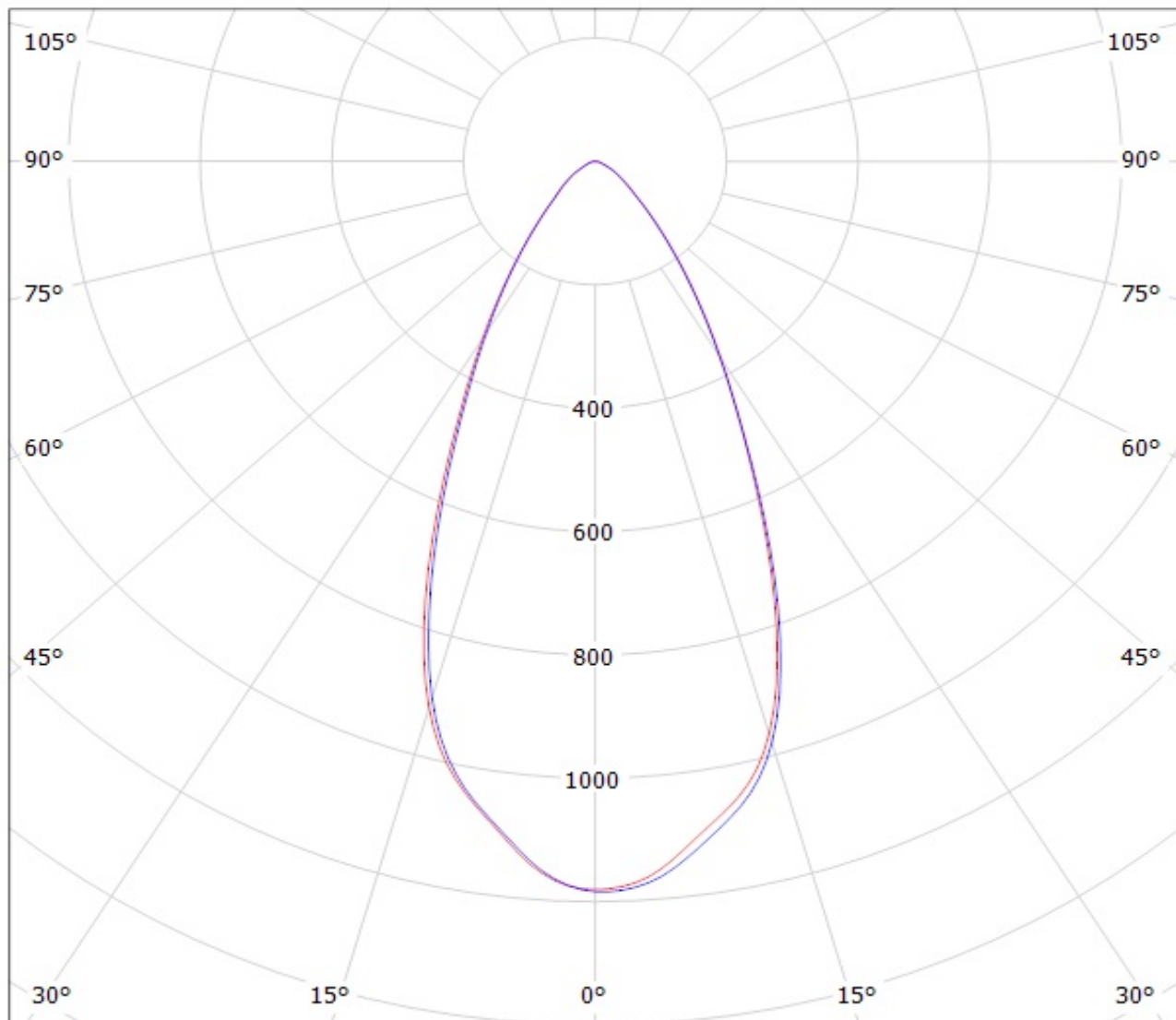
D

A

Luminaire: LEDIL OY C12767_HB-SQ-A (Luxeon M) Efficiency=91%
Lamps: 1 x Luxeon M (360lm @ 250mA)



Luminaire: LEDIL OY C12767_HB-SQ-A (Luxeon M) Efficiency=91%
Lamps: 1 x Luxeon M (360lm @ 250mA)



cd/klm

— C0 - C180

— C90 - C270