


**Ordering number C13118\_STRADA-SQ-A-T**

Family	Strada-SQ	FWHM	Asymmetric degrees
Type	Lens	Efficiency	93 %
LED	XM-L	cd/Im	0.300
Color	Clear	Gerber File	Available
Diameter	25 + 25 mm		
Height	9 mm		
Style	Square		
Optic Material	PMMA		
Holder Material	-		
Fastening	Screw, pin, glue		
Status	Ready		

**Ordering number CA13119\_STRADA-SQ-A-T**

Family	Strada-SQ	FWHM	Asymmetric degrees
Type	Assembly	Efficiency	93 %
LED	XM-L	cd/Im	0.300
Color	Clear	Gerber File	Available
Diameter	25 + 25 mm		
Height	9.1 mm		
Style	Square		
Optic Material	PMMA		
Holder Material	-		
Fastening	Screw, pin, tape		
Status	Ready		



# PRODUCT DATASHEET

## Strada-SQ series

last update 15/11/2012

<b>Ordering number</b>	<b>C12410</b>		
<b>Description</b>	<b>C12410_STRADA-SQ-A-T</b>		
Family	Strada-SQ	FWHM	Asymmetric degrees
Type	Lens	Efficiency	93 %
LED	XM-L	cd/lm	-
Color	Clear	Gerber File	Available
Diameter	25 + 25 mm		
Height	9 mm		
Style	Square		Positioning: External position element / Automatic assembling li
Optic Material	PMMA		
Holder Material	-		
Fastening	Screw, glue		
Status	Ready		

<b>Ordering number</b>	<b>CA12411</b>		
<b>Description</b>	<b>CA12411_STRADA-SQ-A-T</b>		
Family	Strada-SQ	FWHM	Asymmetric degrees
Type	Assembly	Efficiency	93 %
LED	XM-L	cd/lm	0.510
Color	Clear	Gerber File	Available
Diameter	25 + 25 mm		
Height	9.15 mm		
Style	Square		Positioning: External position element / Automatic assembling li
Optic Material	PMMA		
Holder Material	-		
Fastening	Screw, tape		
Status	Ready		

**NOTE: The typical divergence will be changed by different color, chip size and chip position tolerance. The typical total divergence is the full angle measured where the luminous intensity is half of the peak value.**



# PRODUCT DATASHEET

## Strada-SQ series

last update 15/11/2012

### GENERAL INFORMATION

- Product series especially designed & optimized for XM-L series of LEDs.
- Special care taken to make light distribution as uniform as possible.
- Lens material optical grade PMMA with high UV and temperature resistance (105 degrees of Celcius / 220 degrees of Fahrenheit). Allows use of high current and temperature conditions.

Please find more information about used material from below:

[http://ledil.fi/sites/default/files/Documents/Technical/Material/PMMA%20N%20UL94\\_Yellow%20Card.pdf](http://ledil.fi/sites/default/files/Documents/Technical/Material/PMMA%20N%20UL94_Yellow%20Card.pdf)

<http://ledil.fi/sites/default/files/Documents/Technical/Material/PMMA%20N%20PLEXIGLAS-Datasheet.pdf>

- Fastening to heat sink with a PU foam adhesive tape of automotive grade. Please find fastening details by clicking link: [http://www.ledil.com/datasheets/DataSheet\\_TAPE.pdf](http://www.ledil.com/datasheets/DataSheet_TAPE.pdf)

- Fastening to PCB with appropriate adhesive. By clicking link below you can find Ledil recommended glue options.

[http://www.ledil.com/datasheets/DataSheet\\_GLUES.pdf](http://www.ledil.com/datasheets/DataSheet_GLUES.pdf)

**NOTE 1: We advise customer to ensure the suitability and sufficiency of the bond in the end product. For example, mechanical stress, vibration and holes on the surface of the circuit board weaken the strength of the tape.**

**NOTE 2: Assembly to the surface must be made straight, so the tape bonds constant and balanced with fastening surface. Slanted assembly might cause unbalanced bond to the surface. All surfaces where tape is applied must be clean, dry and free from grease and dirt.**

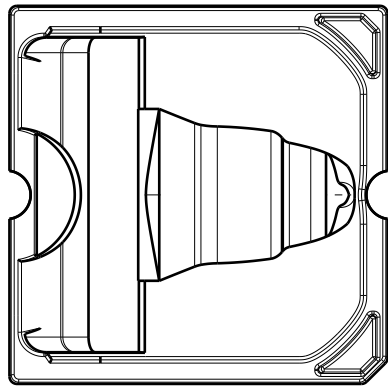
**If cleaning of PCB surfaces is needed, please follow strictly the cleaning instructions of your LED manufacturer - this is important as cleaning shall under no circumstances damage LEDs or other electronics components on the PCB.**

**Further note that optical components shall not be cleaned with any chemicals - only micro fiber cloth may be used to remove fingerprints or other traces from handling.**

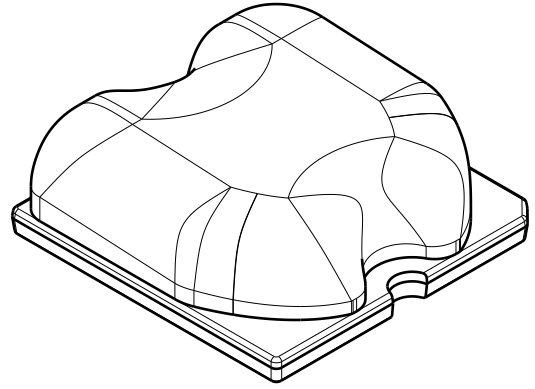
**NOTE 1: We advise customer to ensure the suitability and sufficiency of the bond in the end product. For example, mechanical stress, vibration and holes on the surface of the circuit board weaken the strength of the glue.**

**NOTE 2: All surfaces where glue is applied must be clean, dry and free from grease and dirt. If cleaning of PCB surfaces is needed, please follow strictly the cleaning instructions of your LED manufacturer -this is important as cleaning shall under no circumstances damage LEDs or other electronics components on the PCB.**

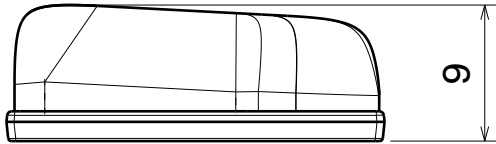
**Further note that optical components shall not be cleaned with any chemicals - only micro fiber cloth may be used to remove fingerprints or other traces from handling.**



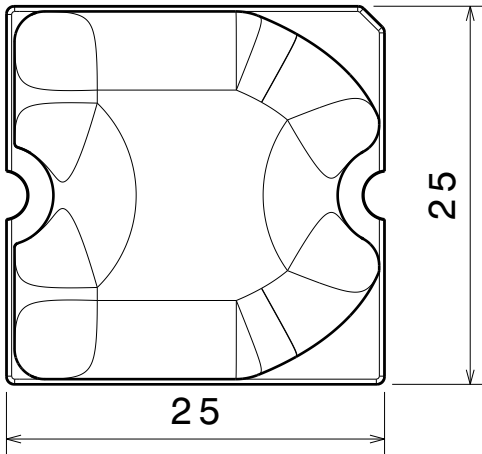
Bottom view



Isometric view



Front view



Top view

Tolerances if not otherwise shown:  
According to DIN ISO 2768-1  
Linear measures:  
Up to 30mm class F, otherwise class M.

According to DIN ISO 2768-2  
Form and position:  
class K

Control for SPC marked dimensions.

This drawing is our property.  
It can't be reproduced  
or communicated without  
our written agreement.



Ledil Oy  
Salorankatu 10  
FIN 24240 SALO  
Finland

DRAWING TITLE Mechanical drawing

DRAWN BY  
as  
DATE  
25.9.2012

STRADA-SQ-A-T

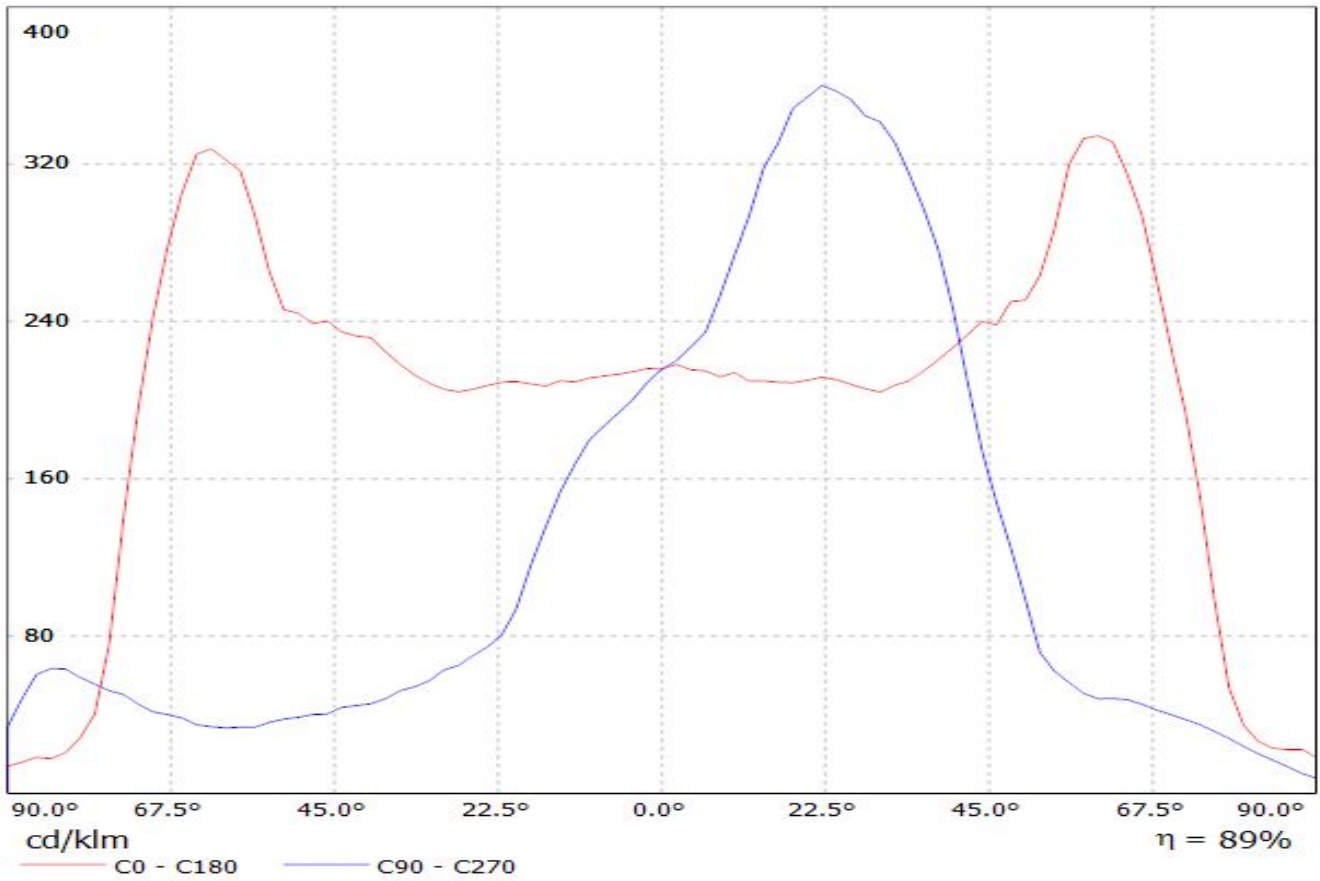
CHECKED BY  
VS  
DATE  
-

SIZE A4  
PART NUMBER  
REV 001

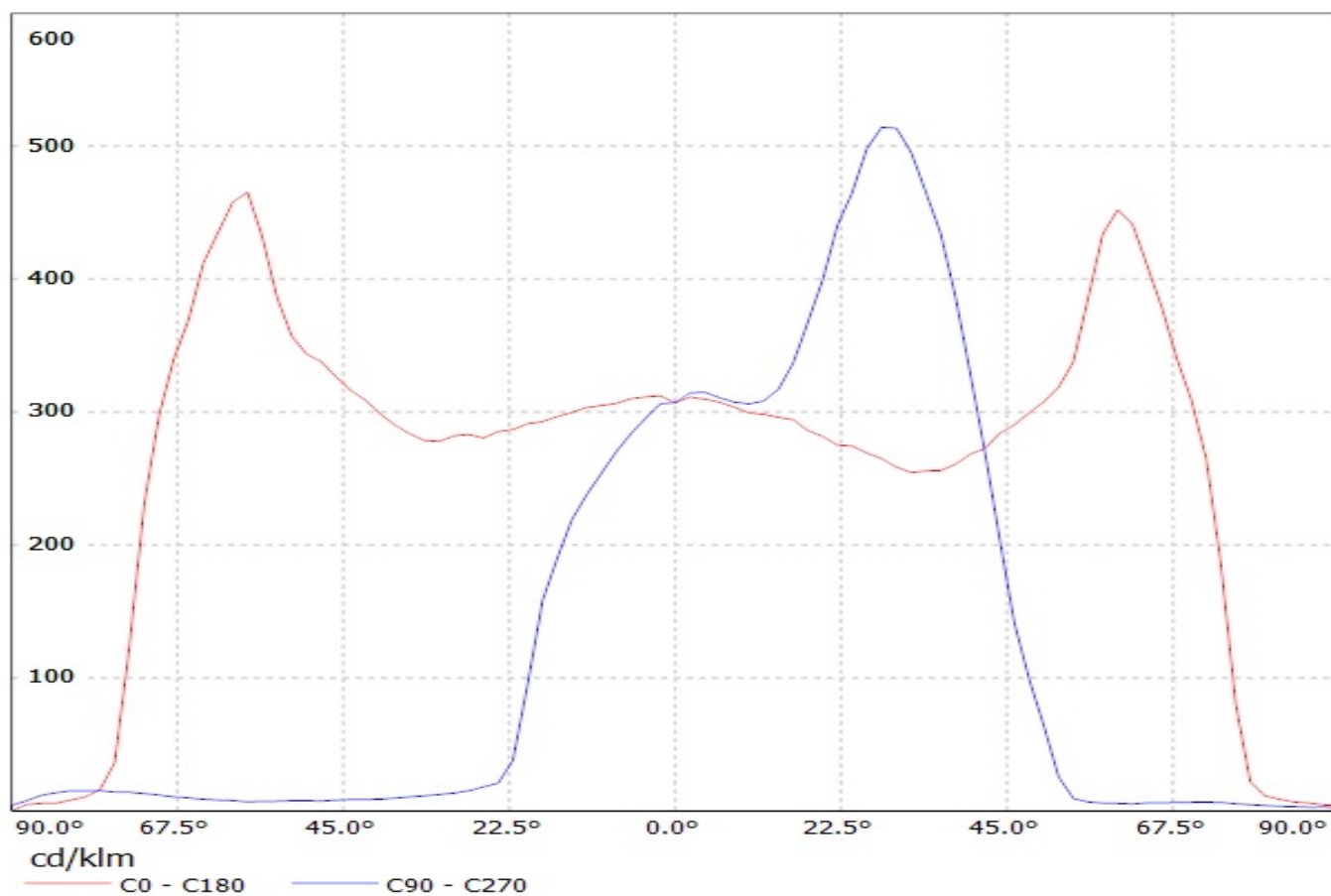
DESIGNED BY  
-  
DATE  
-

SCALE 2:1  
WEIGHT 4,97 g  
SHEET 1/1

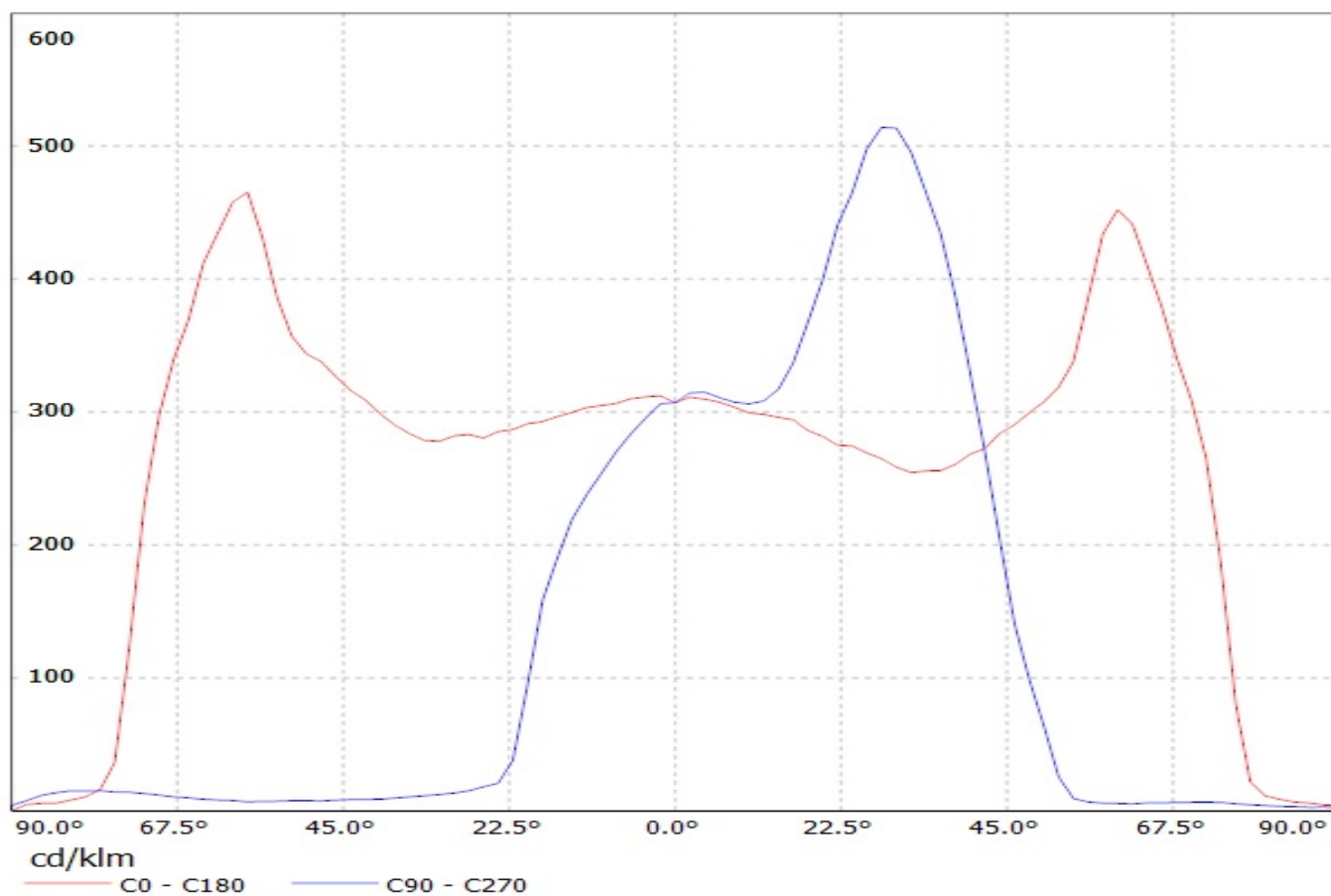
Luminaire: Ledil Oy C12410\_STRADA-SQ-A-T-XM-L Efficiency=88%  
Lamps: 1 x Cree XM-L 95lm @ 250mA



Luminaire: LEDiL Oy C13118\_&\_CA13119\_STRADA-SQ-A-T-XML (Cree XM-L 84lm@250mA) Efficiency=93%  
Lamps: 1 x Cree XM-L (84lm@250mA)

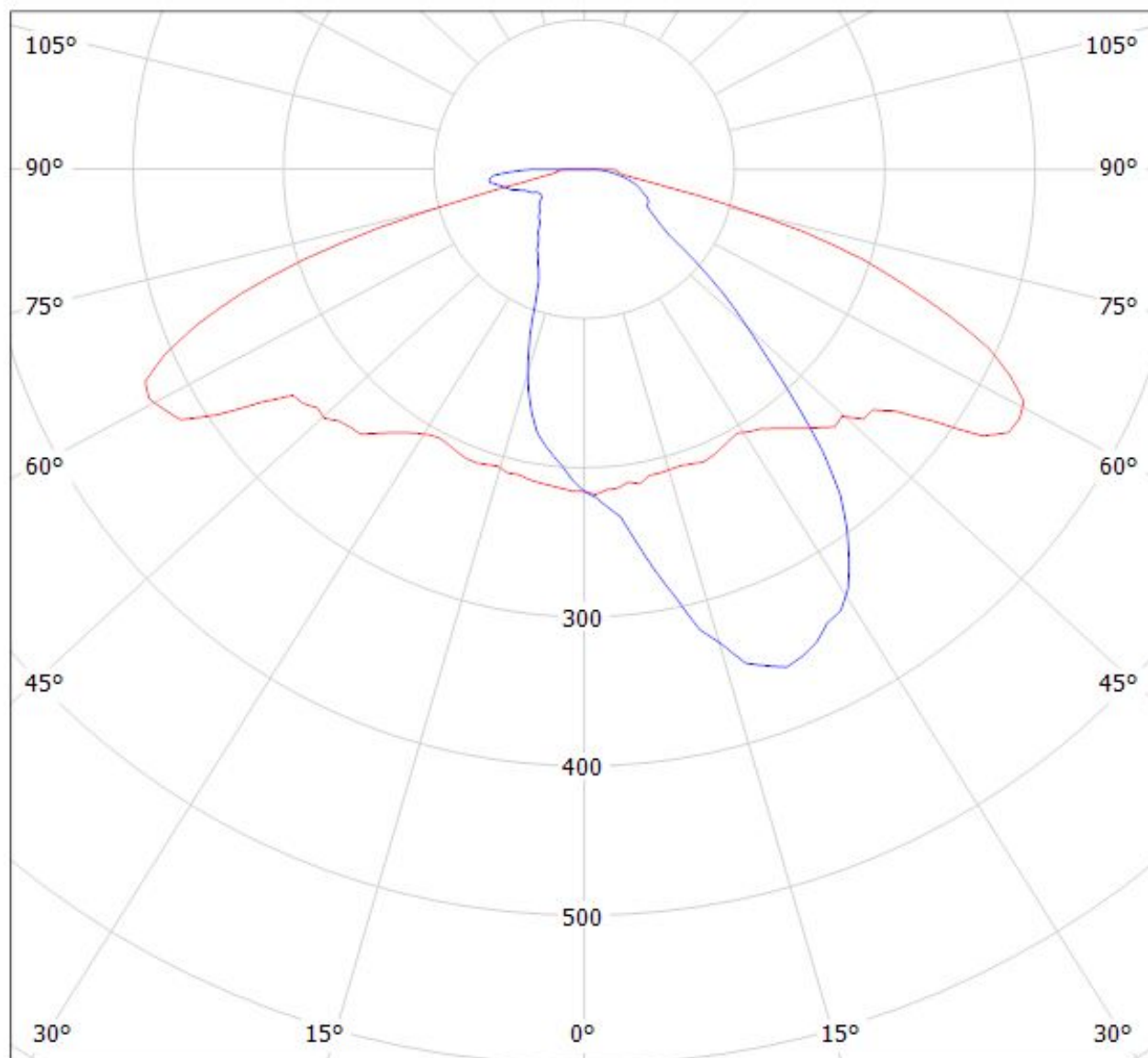


Luminaire: LEDiL Oy C13118\_&\_CA13119\_STRADA-SQ-A-T-XML (Cree XM-L 84lm@250mA) Efficiency=93%  
Lamps: 1 x Cree XM-L (84lm@250mA)





Luminaire: Ledil Oy C12410\_STRADA-SQ-A-T-XM-L Efficiency=93%  
Lamps: 1 x Cree XM-L 95lm @ 250mA



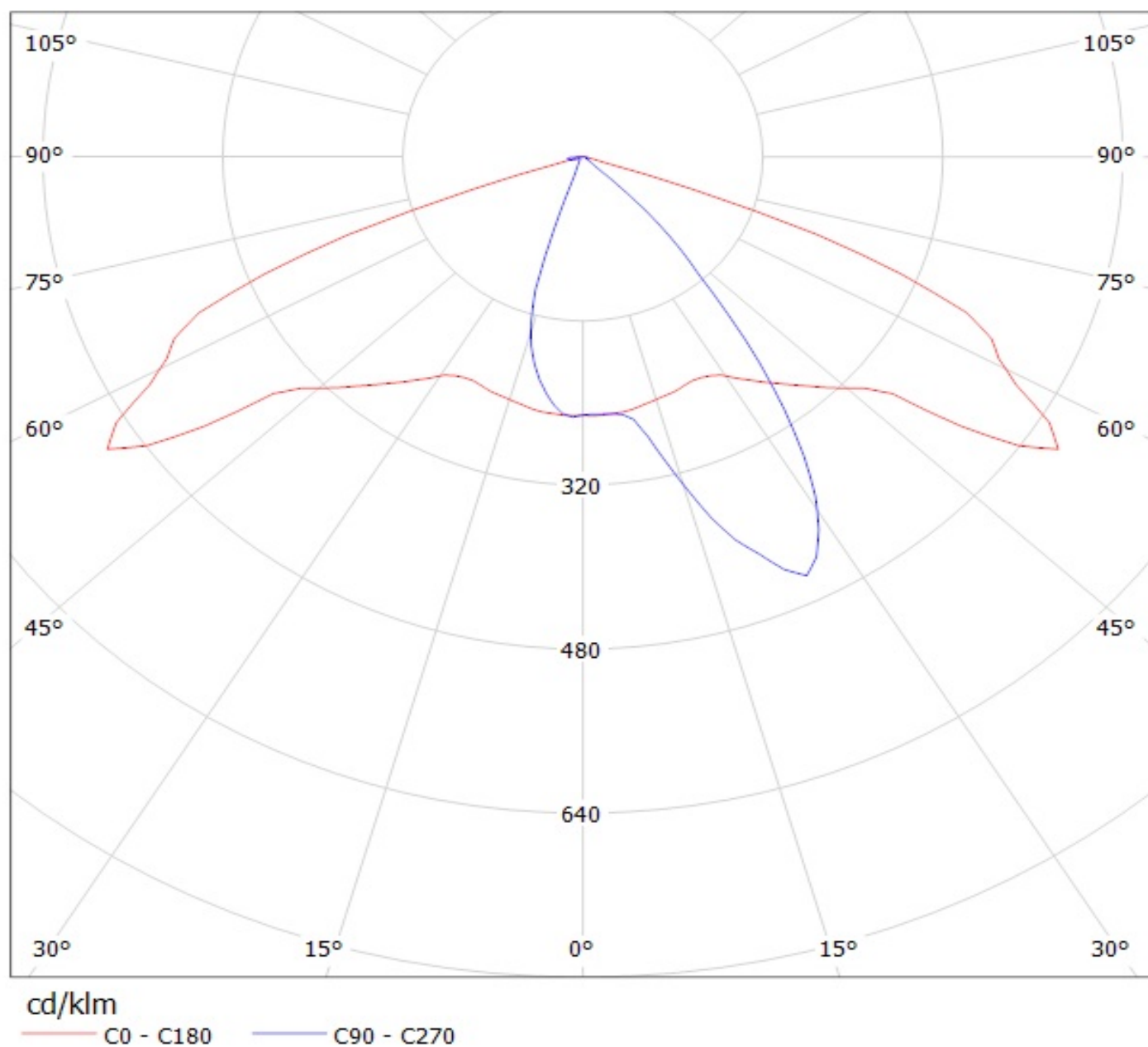
cd/klm

— C0 - C180    — C90 - C270

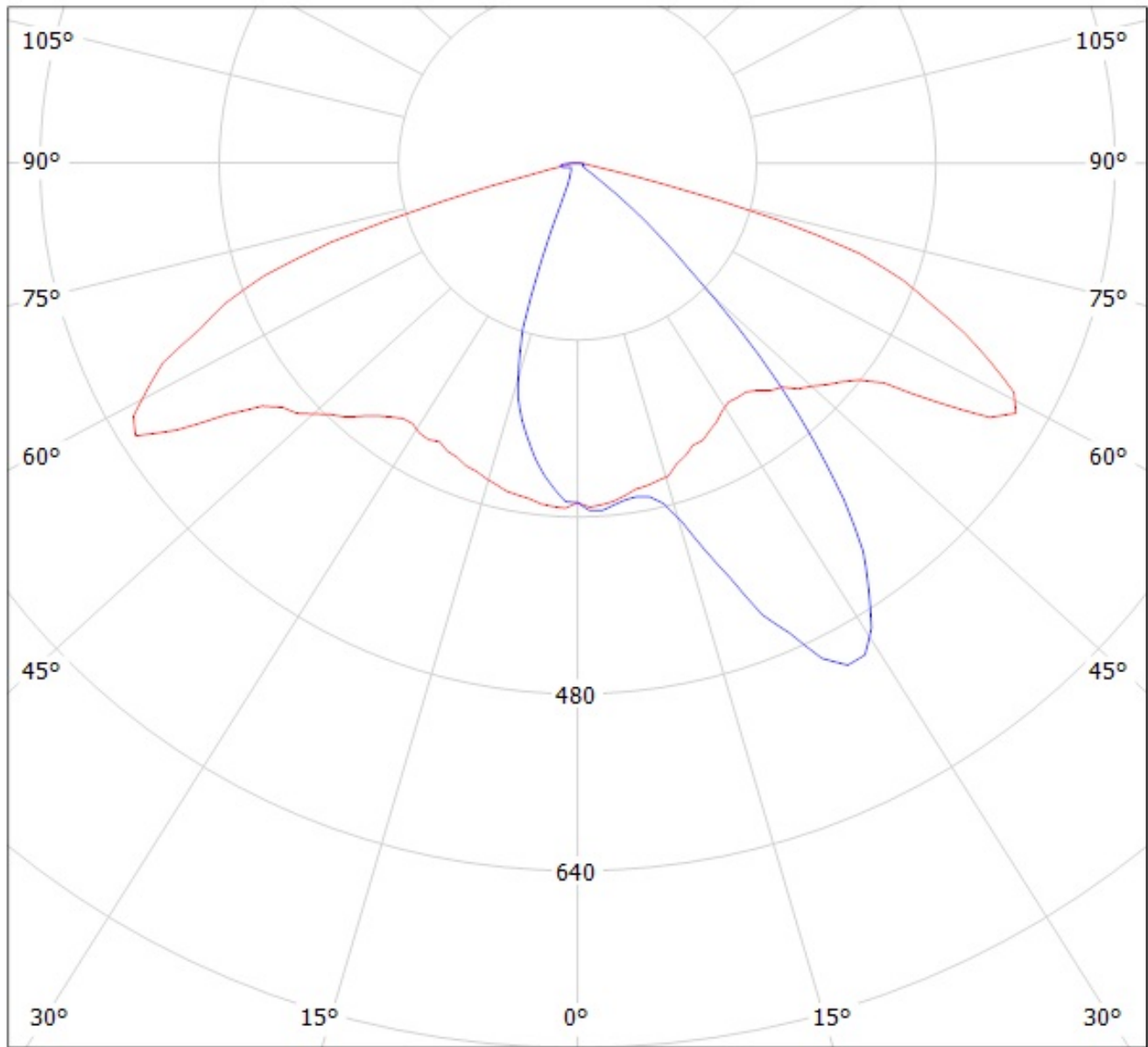
$\eta = 89\%$



Luminaire: Ledil oy C12411\_STRADA-SQ-A-T-XM-L LOR=88%  
Lamps: 1 x Cree XM-L 250mA 95lm



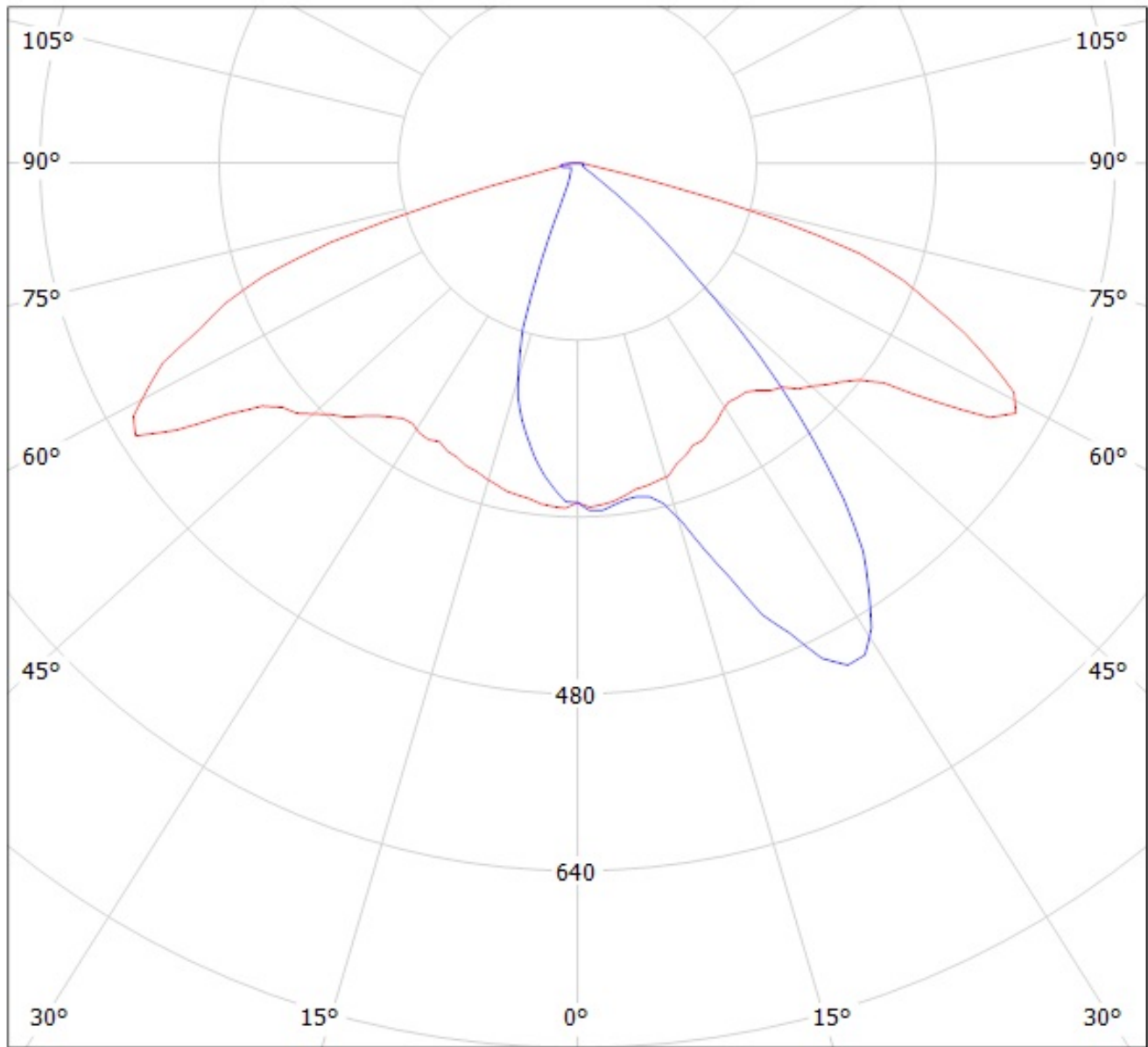
Luminaire: LEDiL Oy C13118 & CA13119\_STRADA-SQ-A-T-XML (Cree XM-L 84lm@250mA) Efficiency=93%  
Lamps: 1 x Cree XM-L (84lm@250mA)



cd/klm

— C0 - C180    — C90 - C270

Luminaire: LEDiL Oy C13118 & CA13119\_STRADA-SQ-A-T-XML (Cree XM-L 84lm@250mA) Efficiency=93%  
Lamps: 1 x Cree XM-L (84lm@250mA)



cd/klm  
— C0 - C180    — C90 - C270