


Ordering number CP12857_EVA-O

Family	Eva	FWHM	20.5+37 degrees
Type	Assembly	Efficiency	83 %
LED	LUXEON M	cd/lm	2.700
Color	Black	Gerber File	Available
Diameter	37.7 mm		
Height	17 mm		
Style	Round		
Optic Material	PMMA		
Holder Material	PC		
Fastening	Screw, glue		
Status	On production		


Ordering number CA12858_EVA-O

Family	Eva	FWHM	20.5+37 degrees
Type	Assembly	Efficiency	83 %
LED	LUXEON M	cd/lm	2.700
Color	Black	Gerber File	Available
Diameter	37.7 mm		
Height	17.2 mm		
Style	Round		
Optic Material	PMMA		
Holder Material	PC		
Fastening	Screw, tape		
Status	On production		


Ordering number CA12802_EVA-D

Family	Eva	FWHM	21 degrees
Type	Assembly	Efficiency	89 %
LED	LUXEON M	cd/lm	4.200
Color	Black	Gerber File	Available
Diameter	37.7 mm		
Height	17.2 mm		
Style	Round		
Optic Material	PMMA		
Holder Material	PC		
Fastening	Screw, tape		
Status	On production		


Ordering number CP12818_EVA-D

Family	Eva	FWHM	21 degrees
Type	Assembly	Efficiency	89 %
LED	LUXEON M	cd/lm	4.200
Color	Black	Gerber File	Available
Diameter	37.7 mm		
Height	17 mm		
Style	Round		
Optic Material	PMMA		
Holder Material	PC		
Fastening	Screw, glue		
Status	On production		


Ordering number CA12803_EVA-M

Family	Eva	FWHM	26 degrees
Type	Assembly	Efficiency	87 %
LED	LUXEON M	cd/lm	2.800
Color	Black	Gerber File	Available
Diameter	37.7 mm		
Height	17 mm		
Style	Round		
Optic Material	PMMA		
Holder Material	PC		
Fastening	Screw, tape		
Status	On production		


Ordering number CP12819_EVA-M

Family	Eva	FWHM	26 degrees
Type	Assembly	Efficiency	87 %
LED	LUXEON M	cd/lm	2.800
Color	Black	Gerber File	Available
Diameter	37.7 mm		
Height	17 mm		
Style	Round		
Optic Material	PMMA		
Holder Material	PC		
Fastening	Screw, glue		
Status	On production		


Ordering number CA12804_EVA-W

Family	Eva	FWHM	45 degrees
Type	Assembly	Efficiency	80 %
LED	LUXEON M	cd/lm	1.300
Color	Black	Gerber File	Available
Diameter	37.7 mm		
Height	17 mm		
Style	Round		
Optic Material	PMMA		
Holder Material	PC		
Fastening	Screw, tape		
Status	On production		


Ordering number CP12820_EVA-W

Family	Eva	FWHM	45 degrees
Type	Assembly	Efficiency	80 %
LED	LUXEON M	cd/lm	1.300
Color	Black	Gerber File	Available
Diameter	37.7 mm		
Height	17 mm		
Style	Round		
Optic Material	PMMA		
Holder Material	PC		
Fastening	Screw, glue		
Status	On production		


Ordering number CA12805_EVA-WW

Family	Eva	FWHM	65 degrees
Type	Assembly	Efficiency	78 %
LED	LUXEON M	cd/lm	0.700
Color	Black	Gerber File	Available
Diameter	37.7 mm		
Height	17 mm		
Style	Round		
Optic Material	PMMA		
Holder Material	PC		
Fastening	Screw, tape		
Status	On production		


Ordering number CP12821_EVA-WW

Family	Eva	FWHM	65 degrees
Type	Assembly	Efficiency	78 %
LED	LUXEON M	cd/lm	0.700
Color	Black	Gerber File	Available
Diameter	37.7 mm		
Height	17 mm		
Style	Round		
Optic Material	PMMA		
Holder Material	PC		
Fastening	Screw, glue		
Status	On production		

NOTE: The typical divergence will be changed by different color, chip size and chip position tolerance. The typical total divergence is the full angle measured where the luminous intensity is half of the peak value.



PRODUCT DATASHEET

Eva series

last update 2/4/2013

PHILIPS
LUMILEDS

GENERAL INFORMATION

- Product series especially designed & optimized for LUXEON M series of LEDs.
- Special care taken to make light distribution as uniform as possible.
- Lens material optical grade PMMA with high UV and temperature resistance. Allows use of high current and temperature conditions.

Please find more information about used material from below:

http://ledil.fi/sites/default/files/Documents/Technical/Material/PMMA%20N%20UL94_Yellow%20Card.pdf

<http://ledil.fi/sites/default/files/Documents/Technical/Material/PMMA%20N%20PLEXIGLAS-Datasheet.pdf>

- Optic holder molded by high quality PC material (120 degrees of Celcius / 248 degrees of Fahrenheit).

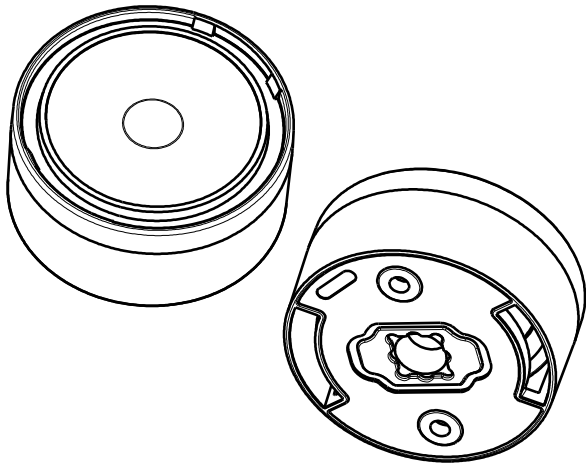
D

C

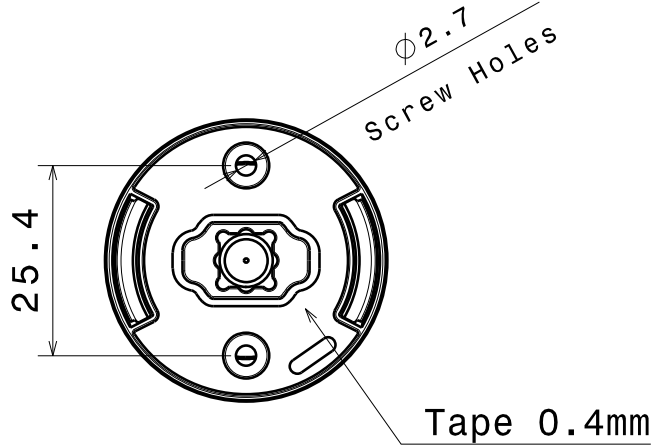
B

A

4

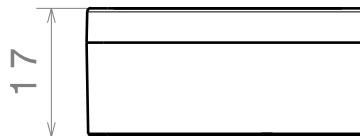


Isometric view



Tape 0.4mm

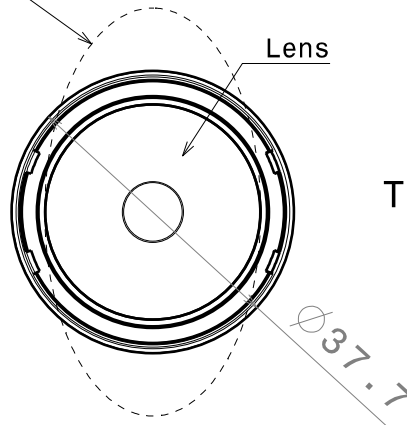
3



Front view

2

Oval beam direction



Top view

Materials:
 Lens PMMA
 Holder PC, BLACK

This drawing is our property.
 It can't be reproduced
 or communicated without
 our written agreement.



Ledil Oy
 Tehdaskatu 13
 FIN-24100 SALO
 Finland

DRAWING TITLE

Datasheet EVA-LUXEON-M Assembly

DRAWN BY

mav

DATE

12.4.2012

CHECKED BY

sn

DATE

12.4.2012

SIZE

A4

DRAWING NUMBER

REV

1

DESIGNED BY

pl

DATE

17.02.2011

SCALE

2:1

WEIGHT (g)

SHEET

1/1

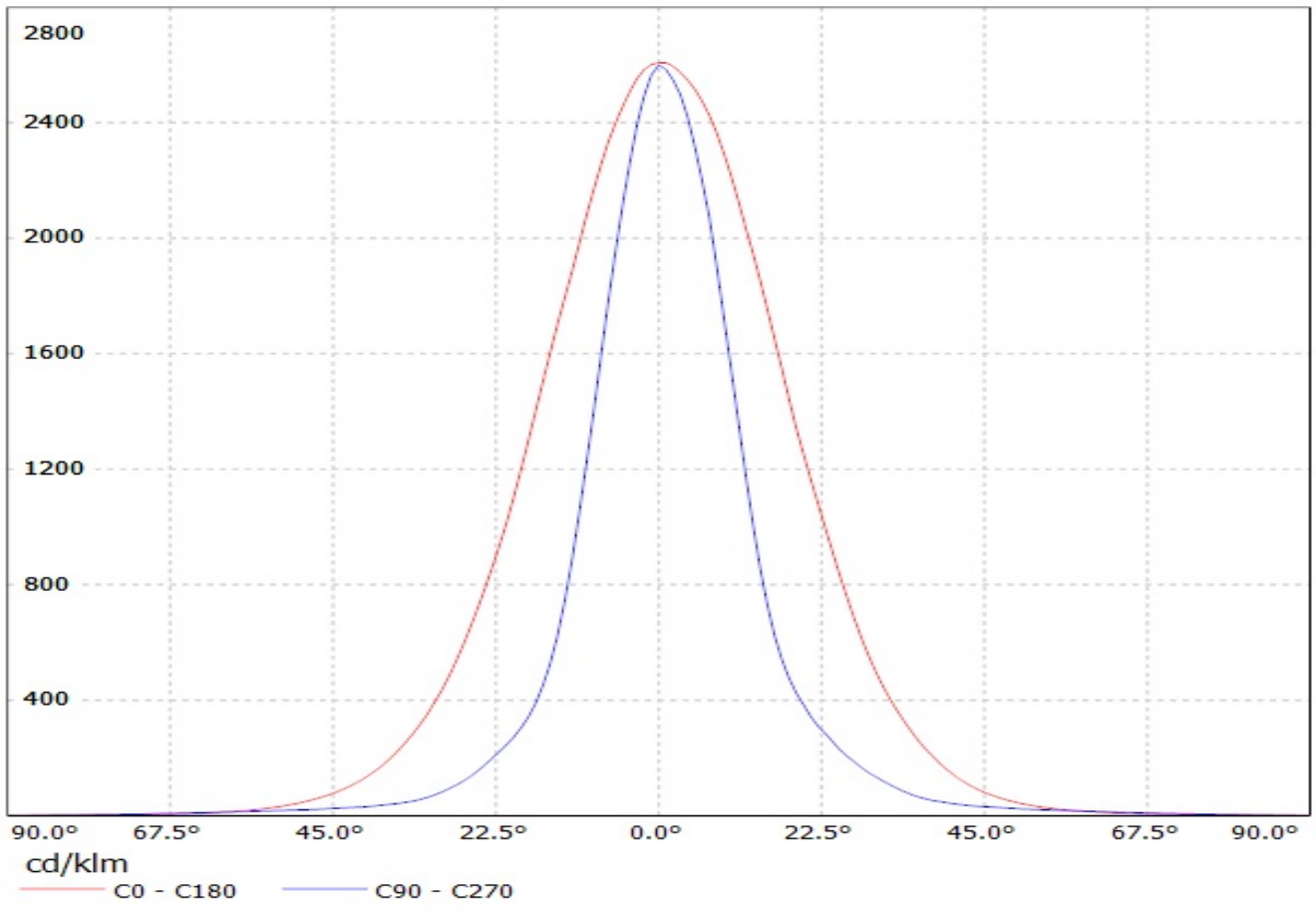
D

A

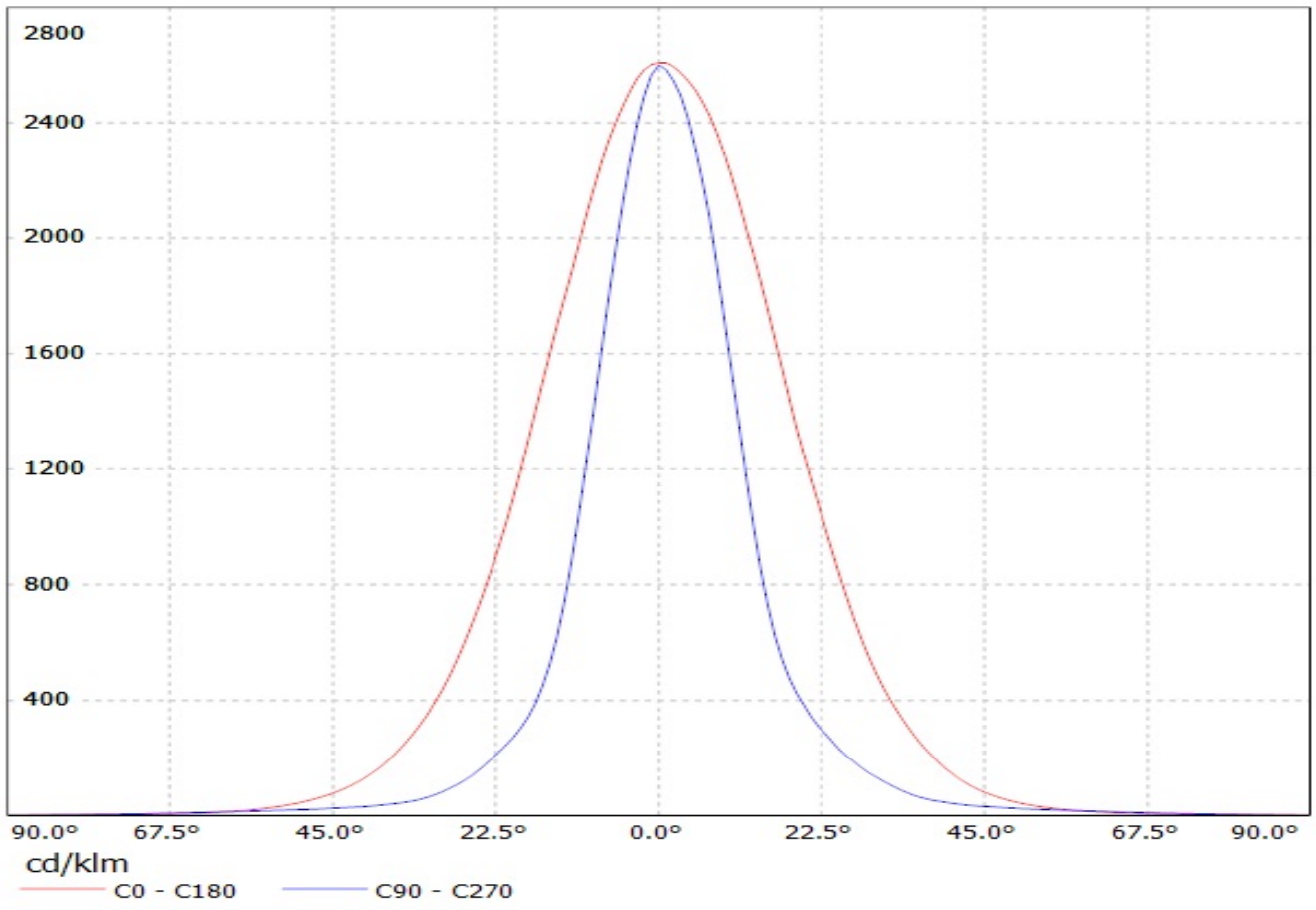
1

1

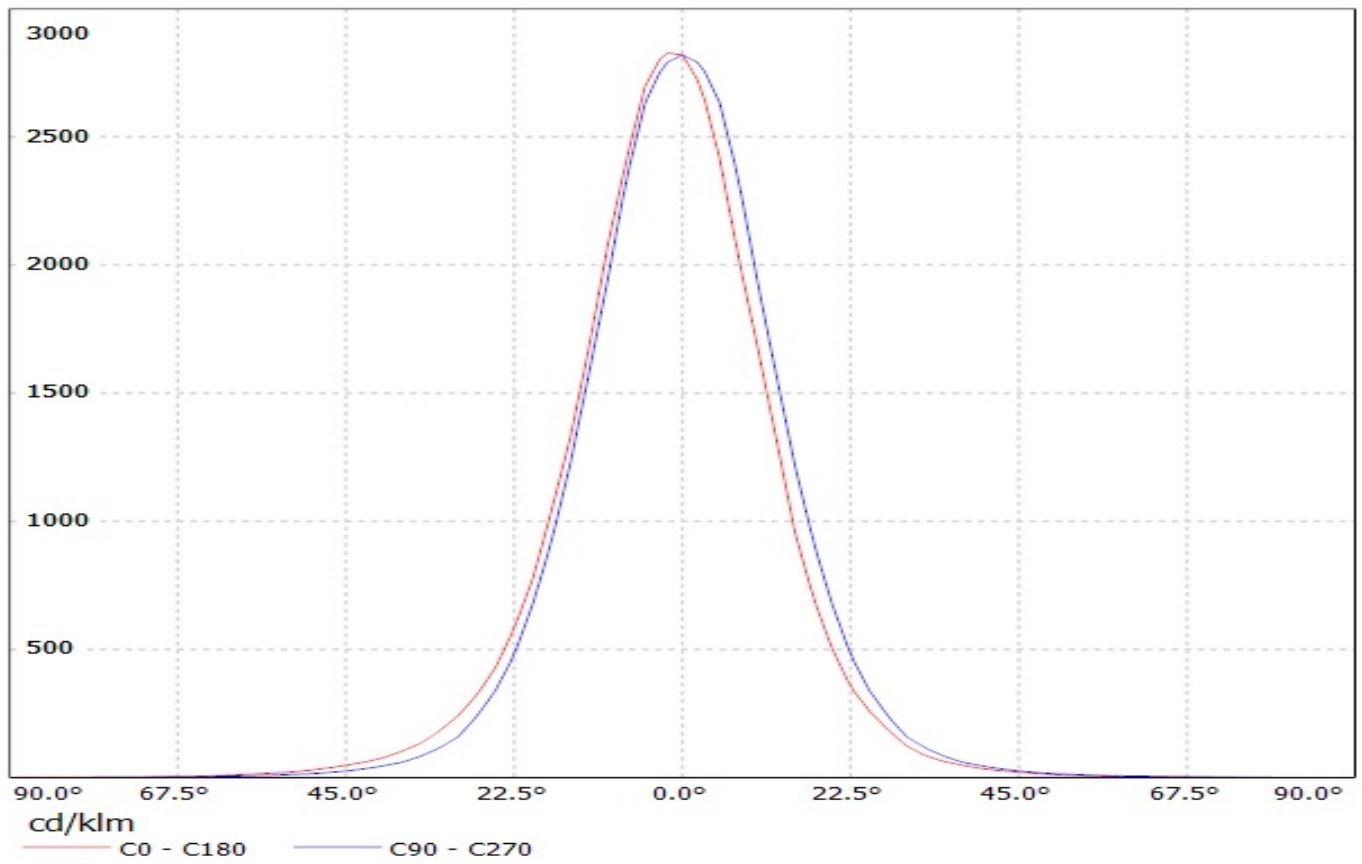
Luminaire: LEDIL OY CA12858_EVA-O / CP12857_EVA-O (Luxeon M) Efficiency=83%
Lamps: 1 x Luxeon M (362lm @ 250mA)



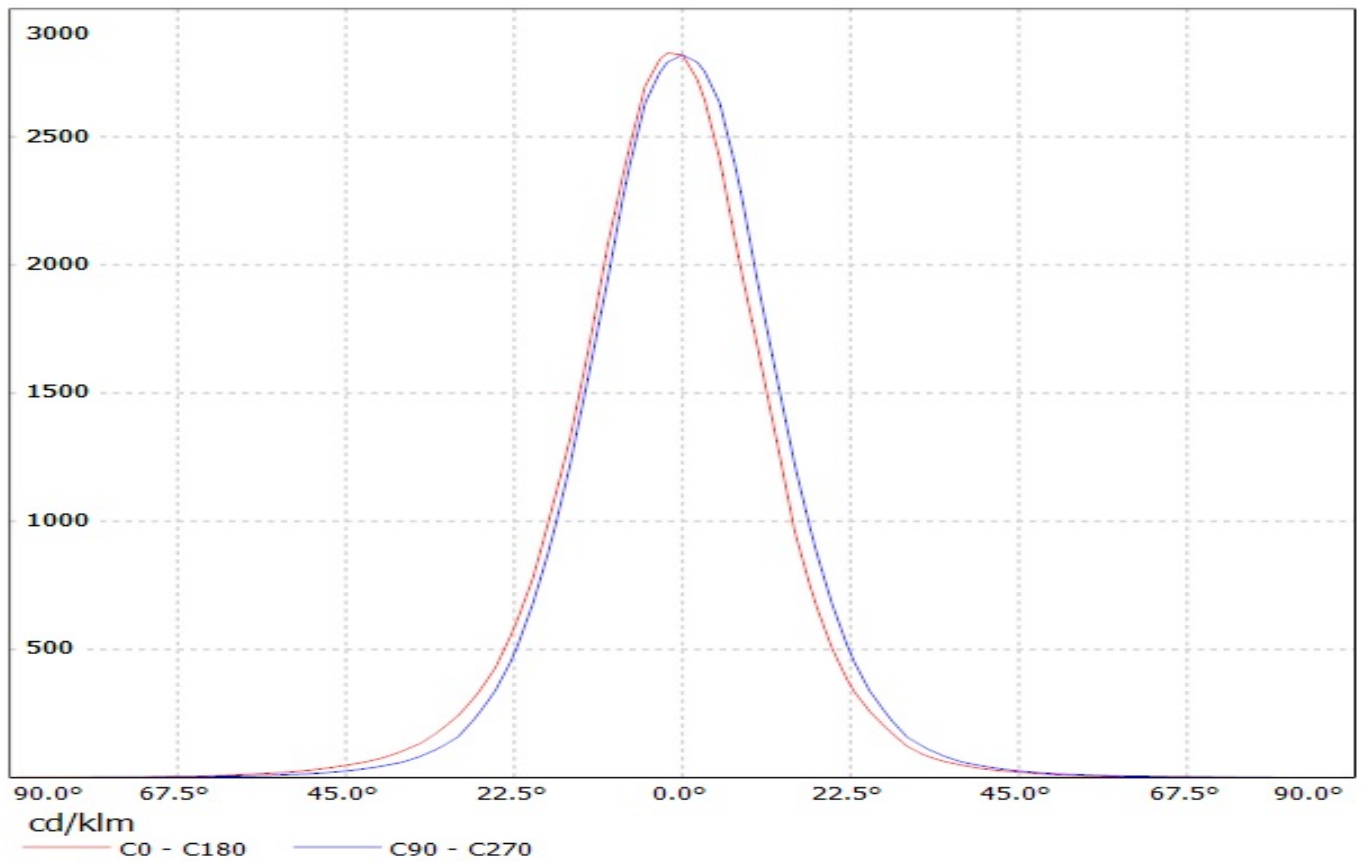
Luminaire: LEDIL OY CA12858_EVA-O / CP12857_EVA-O (Luxeon M) Efficiency=83%
Lamps: 1 x Luxeon M (362lm @ 250mA)



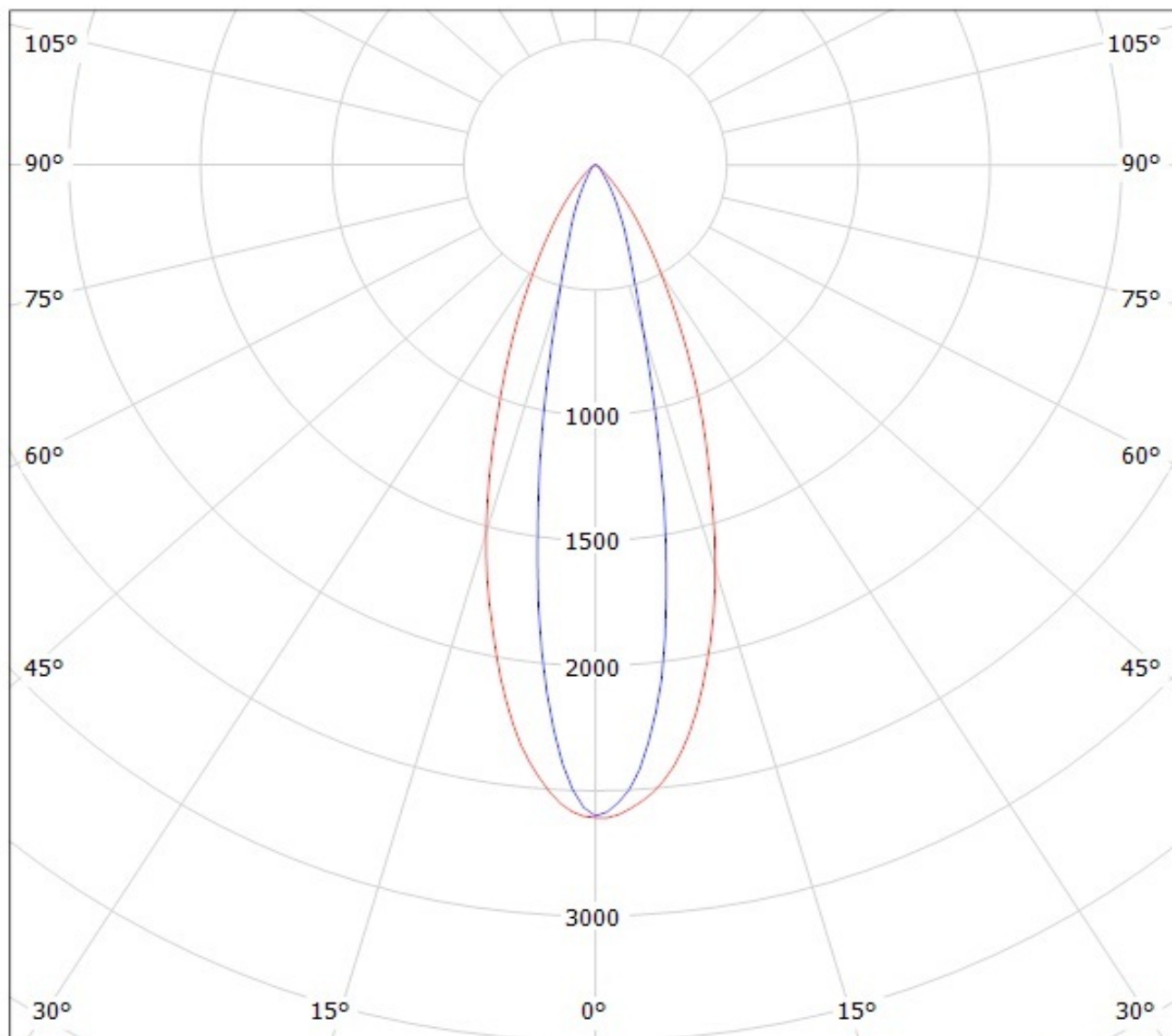
Luminaire: Ledil Oy CA12803_EVA-M & CP12819_EVA-M (Luxeon M) Efficiency=87%
Lamps: 1 x Luxeon M 362lm @ 250mA



Luminaire: Ledil Oy CA12803_EVA-M & CP12819_EVA-M (Luxeon M) Efficiency=87%
Lamps: 1 x Luxeon M 362lm @ 250mA



Luminaire: LEDIL OY CA12858_EVA-O / CP12857_EVA-O (Luxeon M) Efficiency=83%
Lamps: 1 x Luxeon M (362lm @ 250mA)

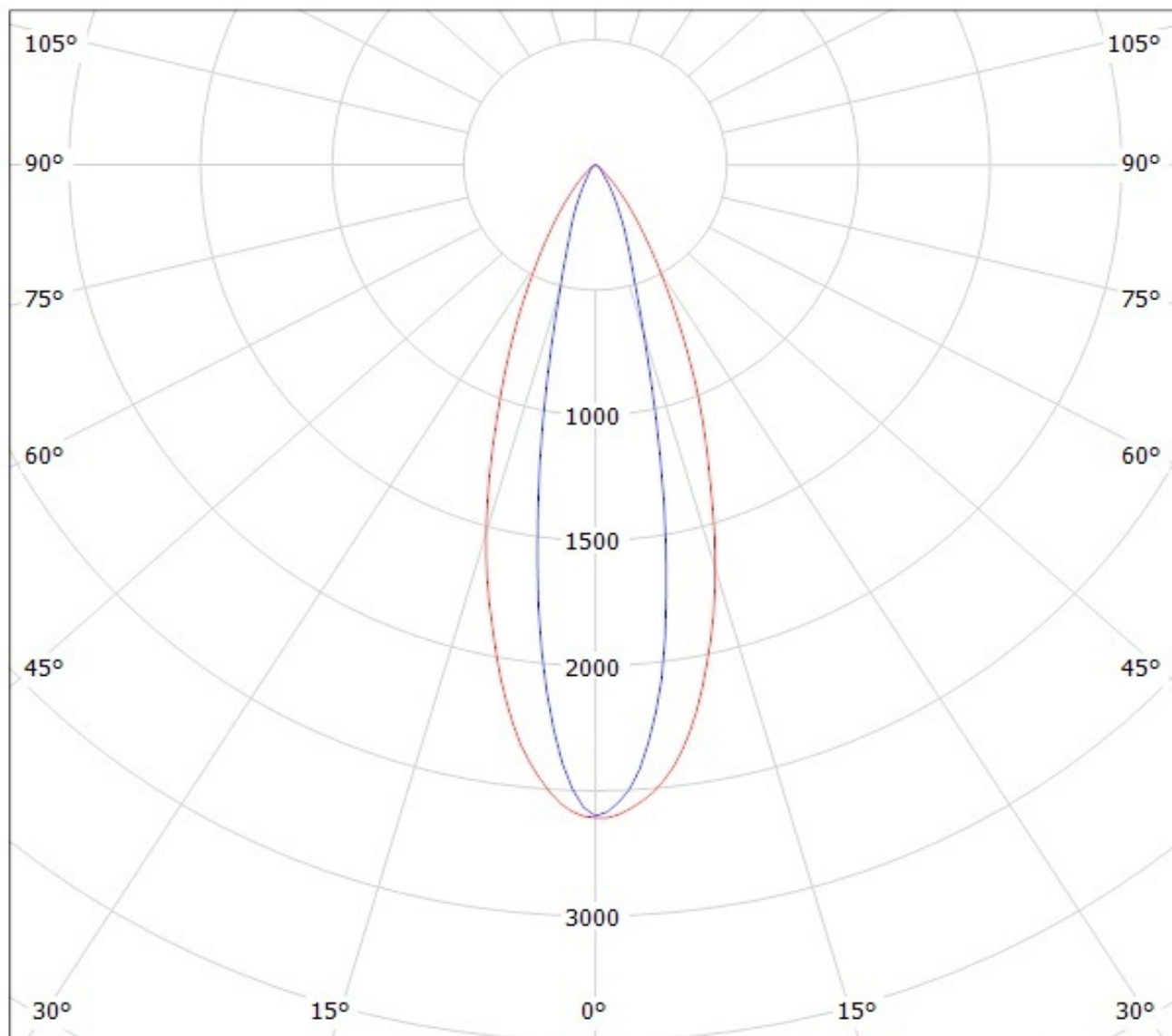


cd/klm

— C0 - C180

— C90 - C270

Luminaire: LEDIL OY CA12858_EVA-O / CP12857_EVA-O (Luxeon M) Efficiency=83%
Lamps: 1 x Luxeon M (362lm @ 250mA)

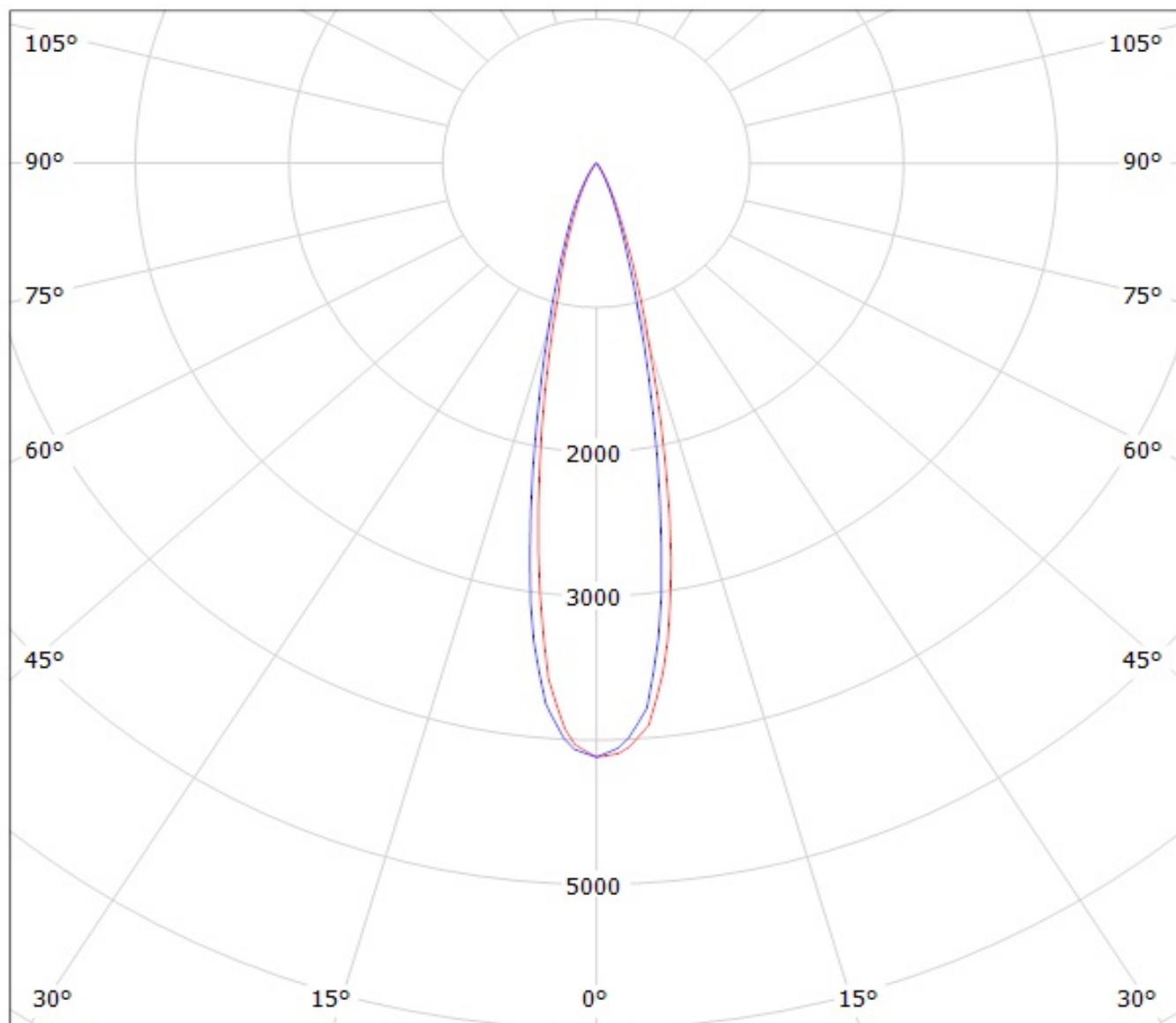


cd/klm

— C0 - C180

— C90 - C270

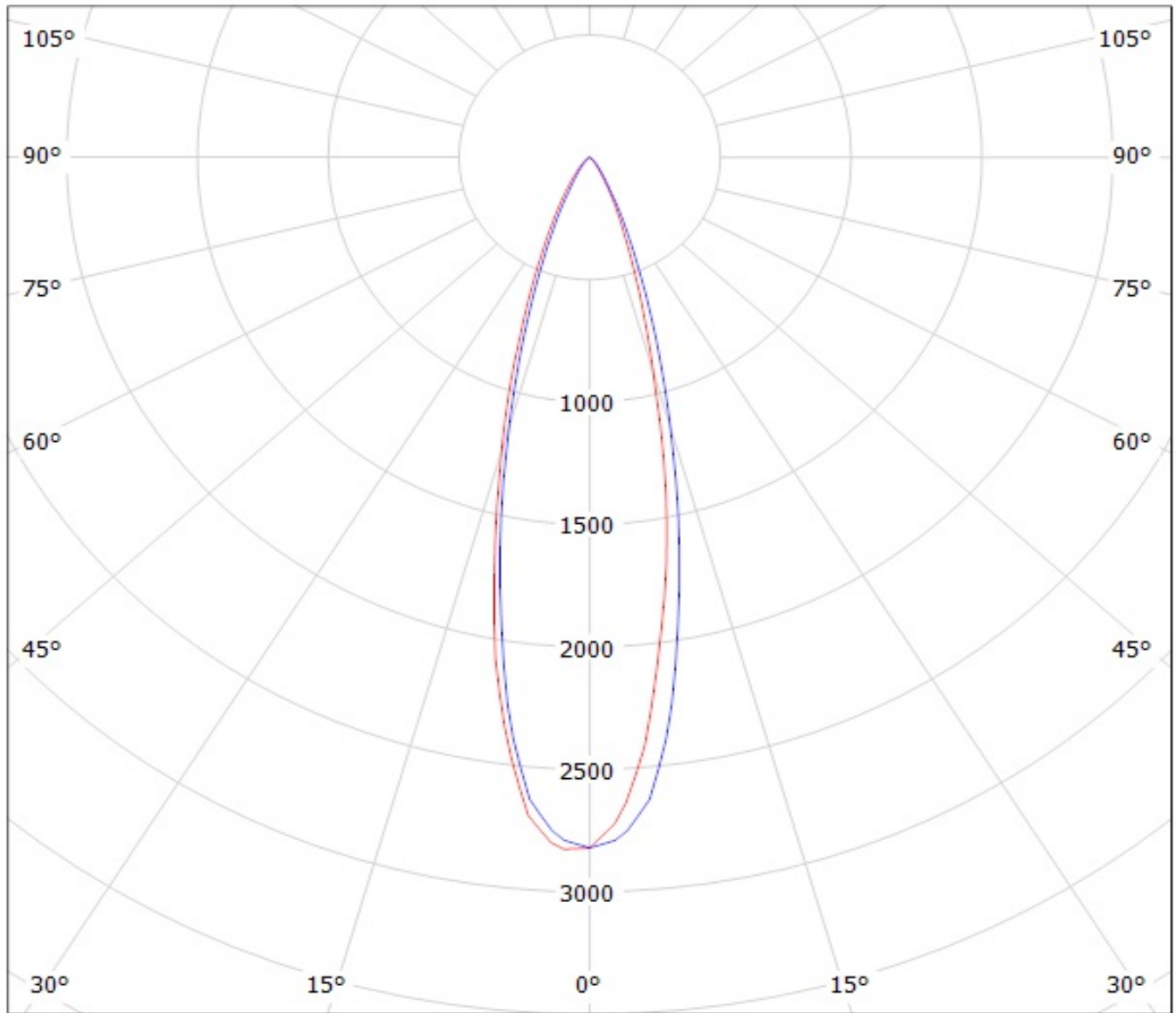
Luminaire: Ledil Oy CA12802_EVA-D & CP12818_EVA-D (Luxeon M) Efficiency=89%
Lamps: 1 x Luxeon M 362lm @ 250mA



cd/klm

— C0 - C180 — C90 - C270

Luminaire: Ledil Oy CA12803_EVA-M & CP12819_EVA-M (Luxeon M) Efficiency=87%
Lamps: 1 x Luxeon M 362lm @ 250mA

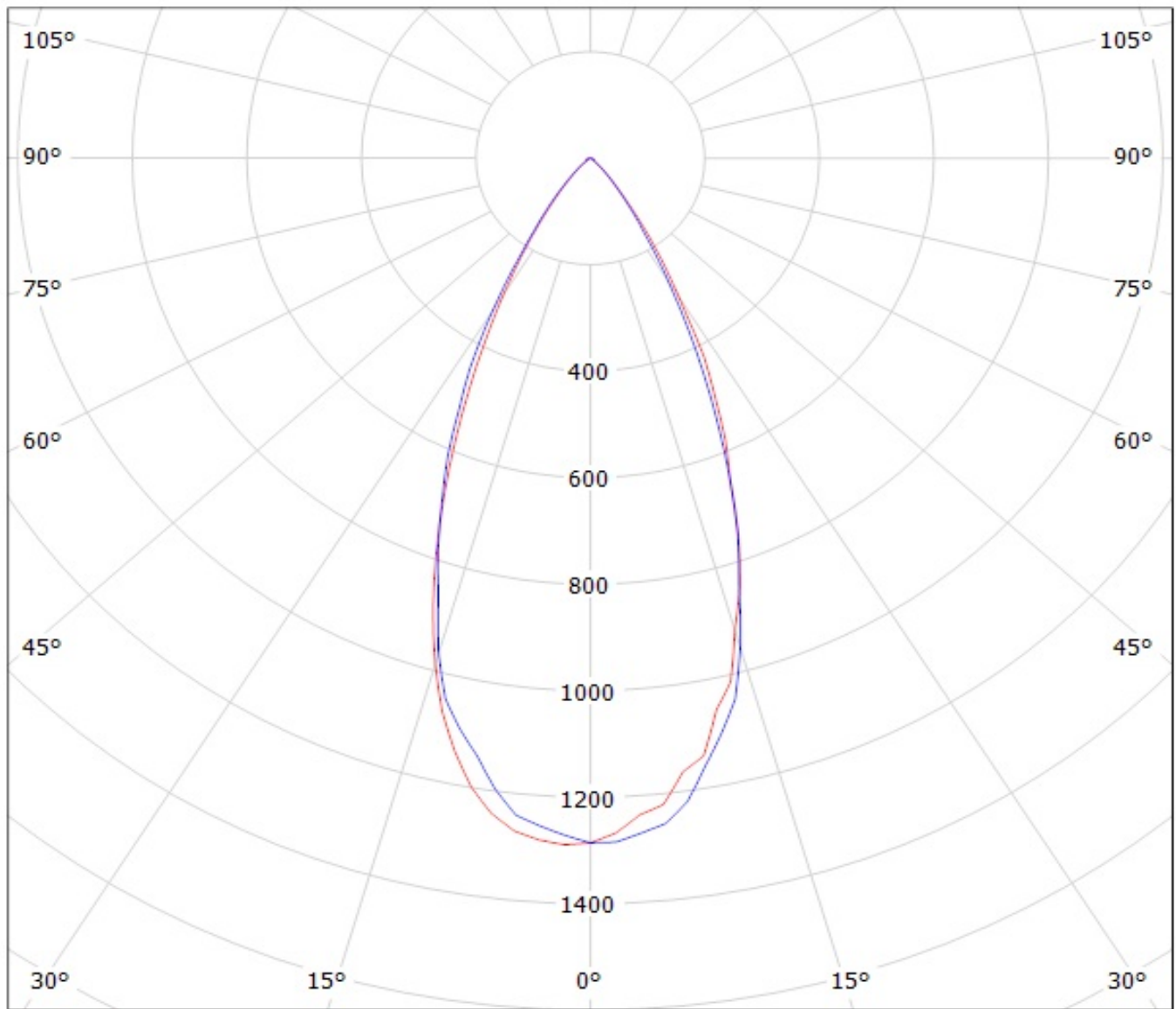


cd/klm

— C0 - C180

— C90 - C270

Luminaire: Ledil CA12804_EVA-W & CP12820_EVA-W (Luxeon M) Efficiency=80%
Lamps: 1 x Luxeon M (362lm @ 250mA)



cd/klm

— C0 - C180

— C90 - C270

Luminaire: Ledil Oy CA12805_EVA-WW & CP12821_EVA-WW (Luxeon M) Efficiency=78%
Lamps: 1 x Luxeon M (362lm @ 250mA)

