


**Ordering number CN10861\_IRIS**

Family	Iris	FWHM	12 degrees
Type	-	Efficiency	90 %
LED	MC-E	cd/lm	17.500
Color	Black	Gerber File	Available
Diameter	38 mm		
Height	28.5 mm		
Style	Round		
Optic Material	PMMA		
Holder Material	PC		
Fastening	Glue		
Status	Ready		

Shipped as unassembled - lens and holder separately.


**Ordering number CN10953\_IRIS-M**

Family	Iris	FWHM	28 degrees
Type	-	Efficiency	(simulated) 0 %
LED	MC-E	cd/lm	2.500
Color	Black	Gerber File	Available
Diameter	38 mm		
Height	30 mm		
Style	Round		
Optic Material	PMMA		
Holder Material	PC		
Fastening	Glue		
Status	Ready		


**Ordering number CN11470\_IRIS-O**

Family	Iris	FWHM	40+30 degrees
Type	-	Efficiency	(simulated) 0 %
LED	MC-E	cd/lm	1.400
Color	Black	Gerber File	Available
Diameter	38 mm		
Height	30 mm		
Style	Round		
Optic Material	PMMA		
Holder Material	PC		
Fastening	Glue		
Status	Ready		

Suitable for Star PCB

**NOTE: The typical divergence will be changed by different color, chip size and chip position tolerance. The typical total divergence is the full angle measured where the luminous intensity is half of the peak value.**



# PRODUCT DATASHEET

## Iris series

last update 12/6/2013

### GENERAL INFORMATION

- Product series especially designed & optimized for MC-E series of LEDs.
- Special care taken to make light distribution as uniform as possible.
- Lens material optical grade PMMA with high UV and temperature resistance (105 degrees of Celcius / 220 degrees of Fahrenheit). Allows use of high current and temperature conditions.

Please find more information about used material from below:

[http://ledil.fi/sites/default/files/Documents/Technical/Material/PMMA%20N%20UL94\\_Yellow%20Card.pdf](http://ledil.fi/sites/default/files/Documents/Technical/Material/PMMA%20N%20UL94_Yellow%20Card.pdf)

<http://ledil.fi/sites/default/files/Documents/Technical/Material/PMMA%20N%20PLEXIGLAS-Datasheet.pdf>

- Optic holder molded by high quality PC material (120 dergees of Celcius / 248 degrees of Fahrenheit).

- Fastening to PCB with appropriate adhesive. By clicking link below you can find Ledil recommended glue options.

[http://www.ledil.com/datasheets/DataSheet\\_GLUES.pdf](http://www.ledil.com/datasheets/DataSheet_GLUES.pdf)

**NOTE 1: We advise customer to ensure the suitability and sufficiency of the bond in the end product. For example, mechanical stress, vibration and holes on the surface of the circuit board weaken the strength of the glue.**

**NOTE 2: All surfaces where glue is applied must be clean, dry and free from grease and dirt. If cleaning of PCB surfaces is needed, please follow strictly the cleaning instructions of your LED manufacturer -this is important as cleaning shall under no circumstances damage LEDs or other electronics components on the PCB.**

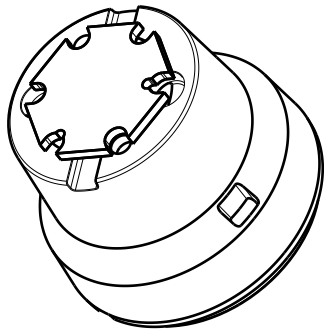
**Further note that optical components shall not be cleaned with any chemicals - only micro fiber cloth may be used to remove fingerprints or other traces from handling.**

D

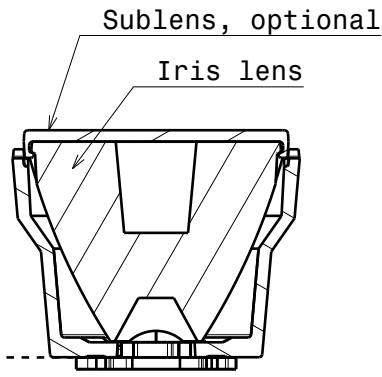
C

B

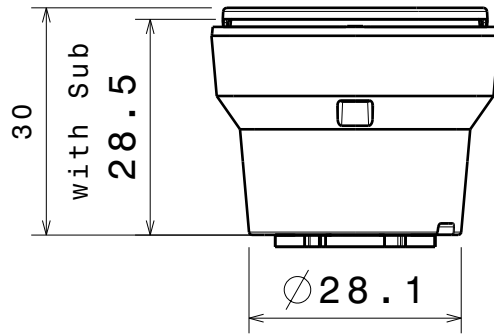
A



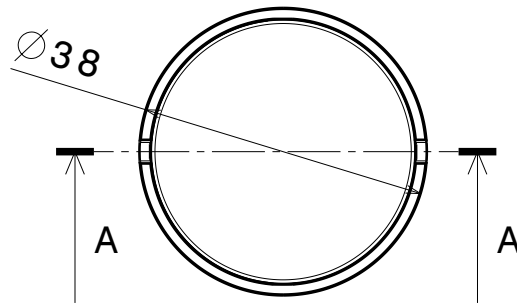
Isometric view



Section view A-A



Front view



Top view

Materials:  
 Lens PMMA  
 Holder PC

This drawing is our property.  
 It can't be reproduced  
 or communicated without  
 our written agreement.



Ledil Oy  
 Salorankatu 10  
 FIN-24100 SALO  
 Finland

DRAWING TITLE

Datasheet Iris MC/ Ostar assy

DRAWN BY

a

DATE

13.4.2012

CHECKED BY

x

x

DATE

13.4.2012

DESIGNED BY

DATE

SIZE

A4

DRAWING NUMBER

-

REV

1

SCALE

1:1

WEIGHT (g)

SHEET

1/1

D

A

4

4

3

3

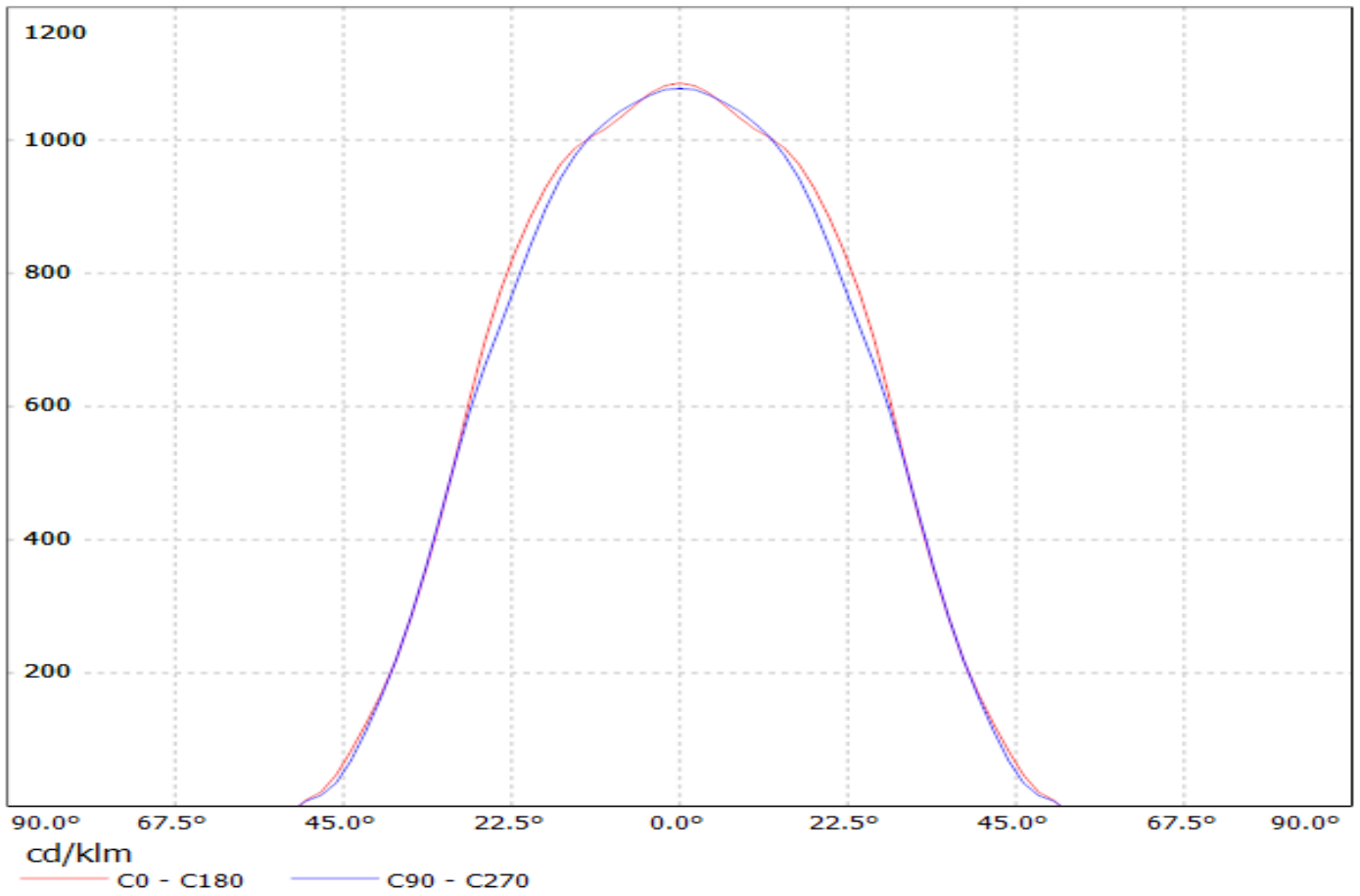
2

2

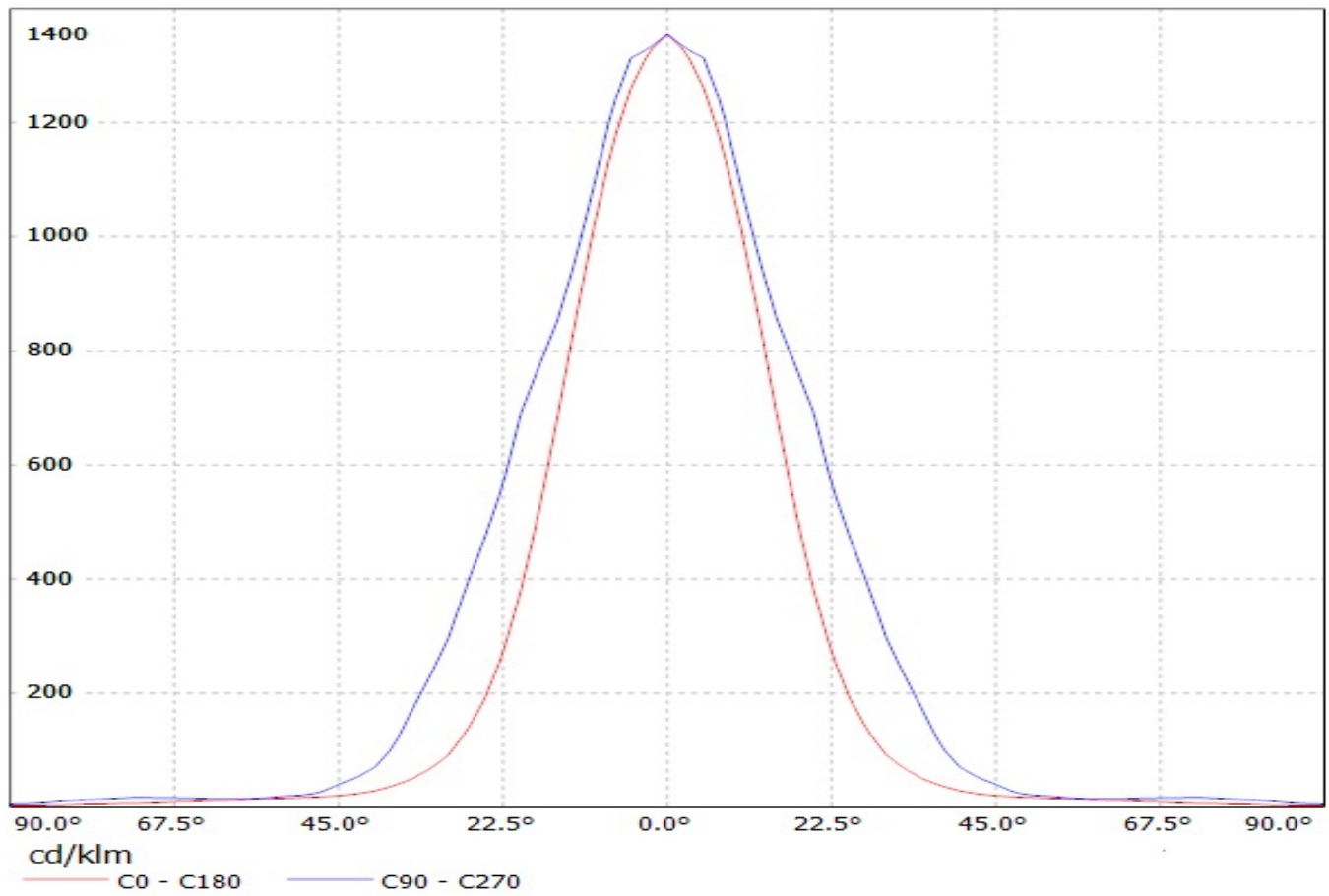
1

1

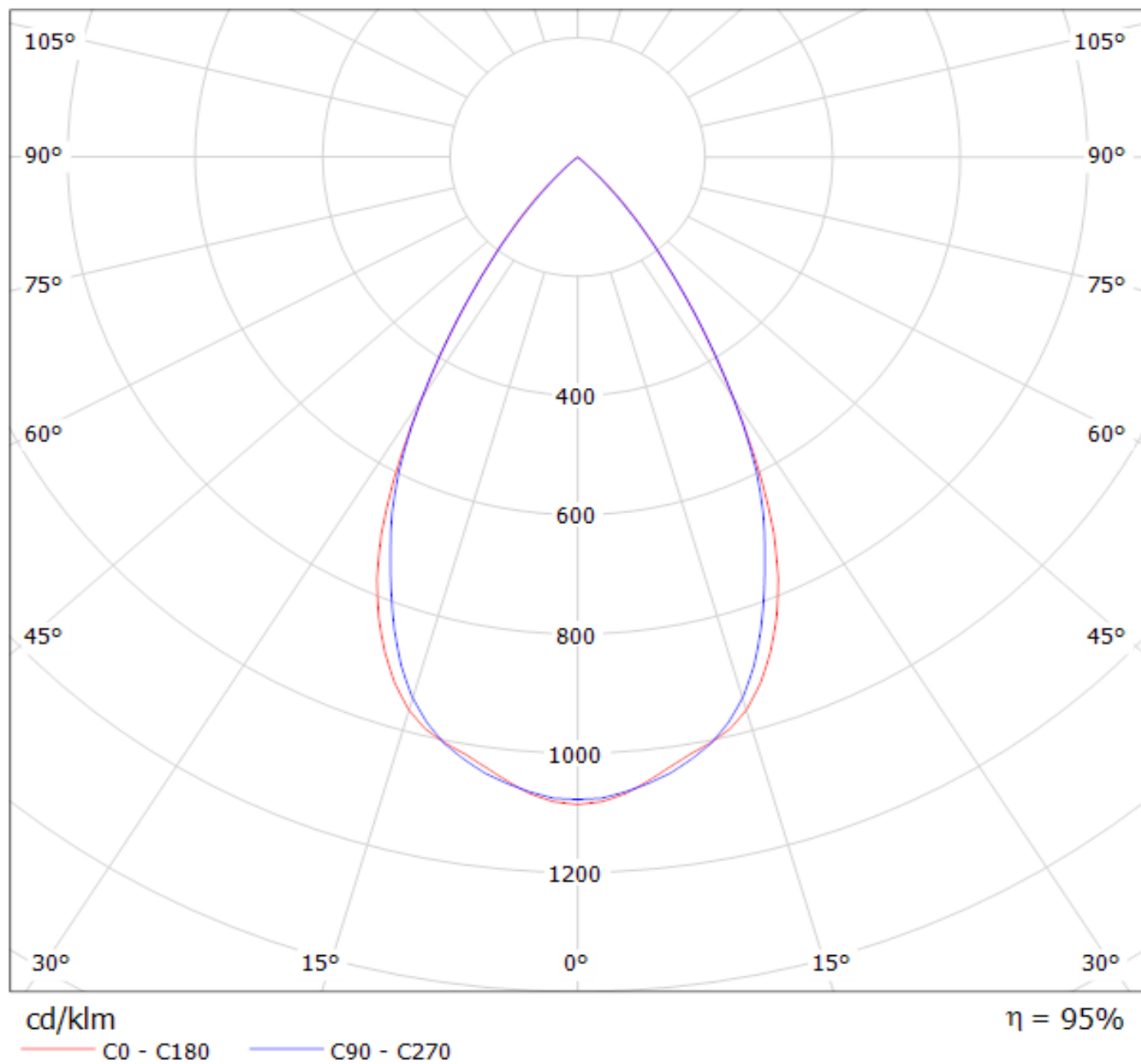
Luminaire: Ledil Oy C10984\_Cindy-L230-W\_with Citizen\_CL-L233 C10984\_Cindy-L230-W\_with Citizen\_CL-L  
Lamps: 1 x Citizen CL-L233 (White)



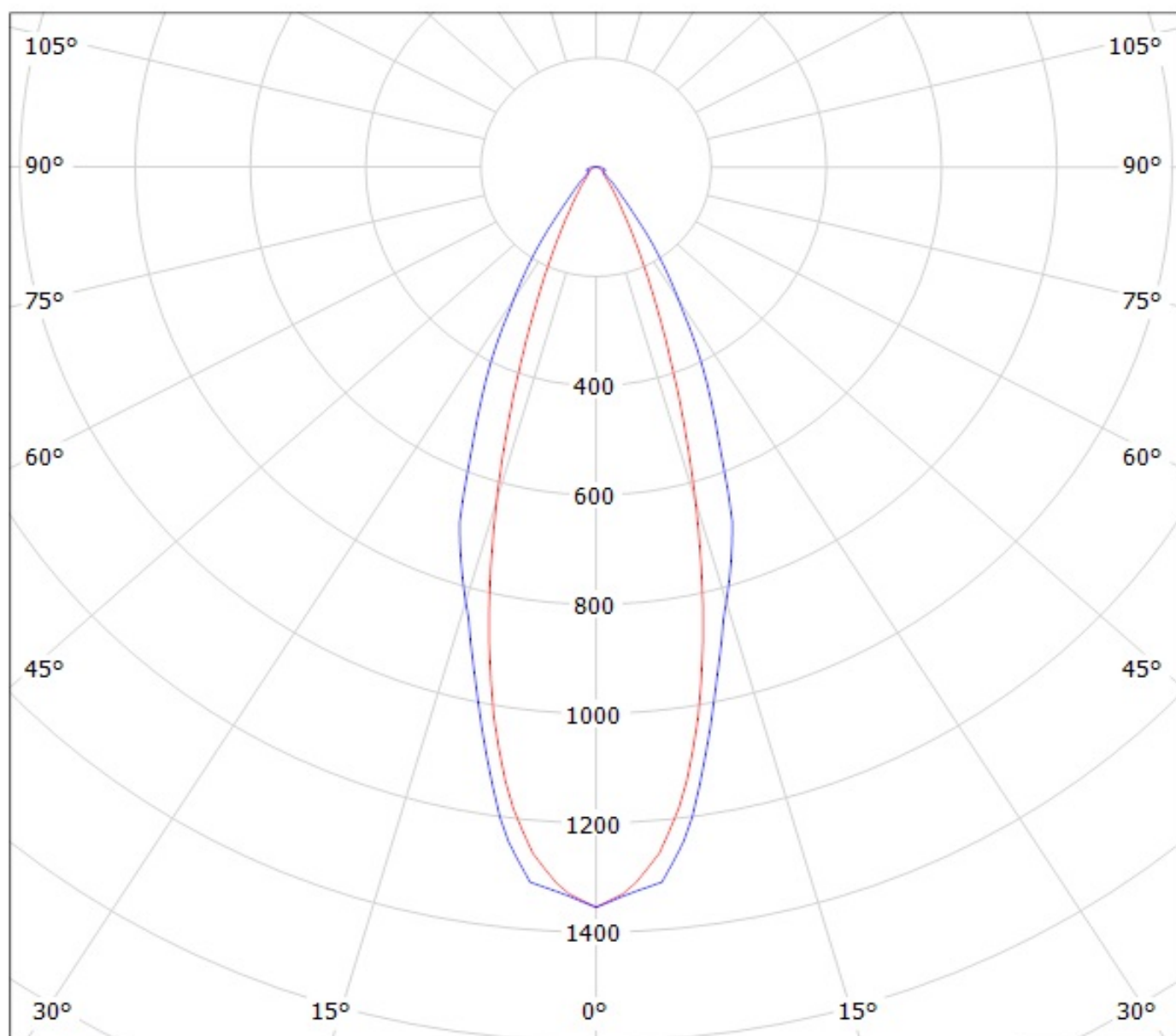
Luminaire: Ledil Oy CA11470-Iris-O  
Lamps: 1 x Cree MC-E 297lm 250mA



Luminaire: Ledil Oy C10984\_Cindy-L230-W\_with Citizen\_CL-L233 C10984\_Cindy-L230-W\_with Citizen\_CL-L233  
Lamps: 1 x Citizen CL-L233 (White)



Luminaire: Ledil Oy CA11470-Iris-O  
Lamps: 1 x Cree MC-E 297lm 250mA



cd/klm

— C0 - C180    — C90 - C270